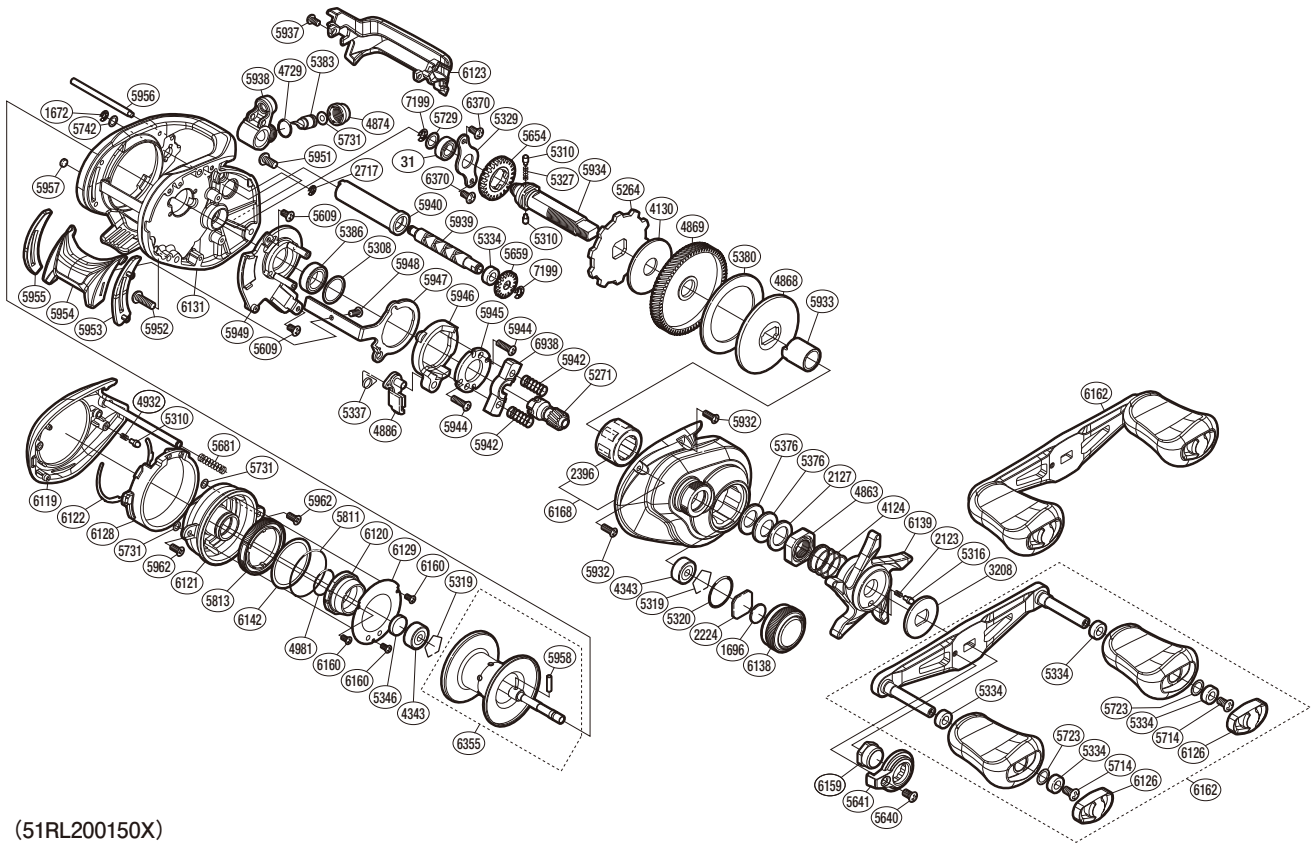


SHIMANO

SLX

SLXXT150



(51RL200150X)

#	Part No.	Description	#	Part No.	Description	#	Part No.	Description
0031	105BL	Ball Bearing	5346	10EX5	Spacer B	5949	10DUK	Clutch Guard Assembly
1672	105NC	E Lock	5376	109F5	Drag Spring Washer	5951	100UU	Screw
1696	10896	Cast Control Spacer B	5380	10R3D	Drag Washer	5952	100UV	Screw
2123	10BT2	Click Spring	5383	10BHQ	Line Guide Pawl	5953	100MH	Clutch Bar Guide B
2127	10J1N	Star Drag Spacer	5386	10EX6	Ball Bearing	5954	100ML	Clutch Button
2224	1085F	Spool Tension Spacer A	5609	10LCT	Screw	5955	100MW	Clutch Bar Guide A
2396	10F5C	Roller Clutch Bearing	5640	101VV	Screw	5956	100UT	Stabilizer Bar
2717	105NB	E Lock	5641	10SSK	Handle Nut Plate	5957	10DTF	Washer
3208	10J22	Star Drag Click Plate	5654	101K8	Idle Gear	5958	10P67	Spool Clutch Pin
4124	10A70	Star Drag Spring	5659	10SRL	Idle Gear	5962	100UL	Screw
4130	10CHX	Drag Washer	5681	10KNH	Spring	6119	10E6T	Left Side Plate Assembly
4343	105C3	Ball Bearing	5714	10LFA	Screw	6120	10E6U	Brake Pipe Gear Assembly
4729	108WQ	O Ring	5723	1003Z	Washer	6121	10E6V	Dial Case
4863	10A3T	Star Drag Nut	5729	1003V	Washer	6122	10E6X	Washer
4868	10D3H	Key Washer	5731	1003S	Washer	6123	10E6W	Level Wind Protector
4869	10CMB	Drive Gear	5742	10S42	Washer	6126	100NC	Handle Knob Seal
4874	10FJB	Pawl Cap	5811	10CG1	O Ring	6128	100NE	B Side Plate Cam Lever
4886	10MME	Clutch Pawl	5813	1000Y	Brake Dial	6129	100HC	Br Dial Retainer Plate
4932	10GQZ	Click Spring	5932	10LCY	Screw	6131	100N9	Frame
4981	10LA8	O Ring	5933	100UC	Roller Clutch Inner Tube	6138	100N8	Cast Control Cap
5264	10D73	Anti-Reverse Ratchet	5934	100UP	Drive Shaft	6139	100HF	Star Drag
5271	10CSA	Pinion Gear	5937	100U4	Screw	6142	10E9M	Washer
5308	10190	Washer	5938	10DUG	Line Guide Assembly	6159	10E67	Handle Nut
5310	10HJG	Idle Gear Pin	5939	100U6	Worm Shaft	6160	10E7R	Screw
5316	10MFC	Click Pin	5940	100UF	Level Wind Guard	6162	10E68	Handle Assembly
5319	1054D	Bearing Retainer	5942	100U9	Yoke Spring	6168	10179	Right Side Plate Assembly
5320	10R22	O Ring	5944	10LV0	Screw	6355	10S3K	Spool Assembly
5327	10JDY	Idle Gear Spring	5945	100US	Clutch Cam Retainer	6370	10E23	Screw
5329	109T1	Drive Shaft Retainer	5946	100UK	Clutch Cam	6938	10S8M	Yoke
5334	10PXZ	Bushing	5947	100UG	Clutch Plate	7199	105NK	E Lock
5337	10R1H	Clutch Pawl Spring	5948	10LF4	Screw			

Please note that the number of adjusting washers may not be the same as shown in the exploded views.
(Adjustment will vary with each individual product.)

(230327)_002