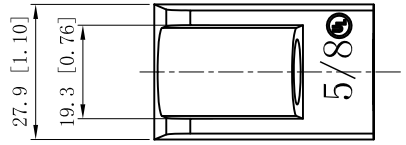
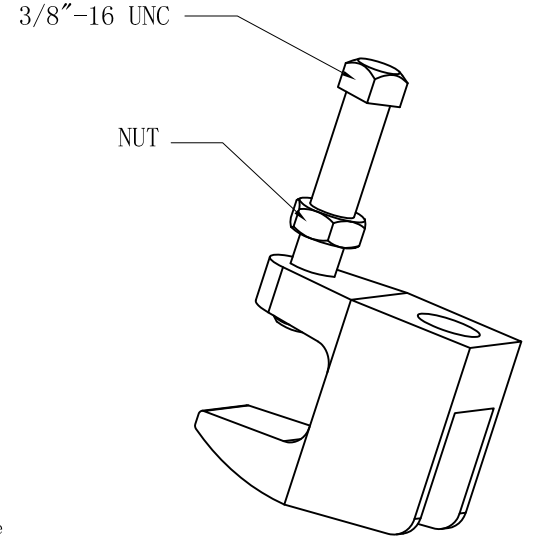
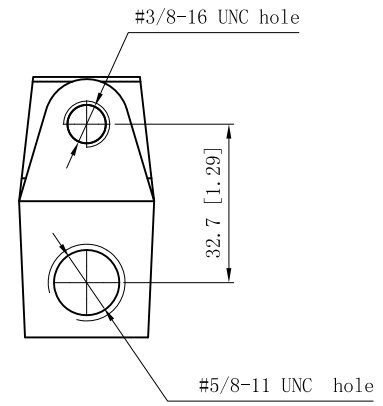
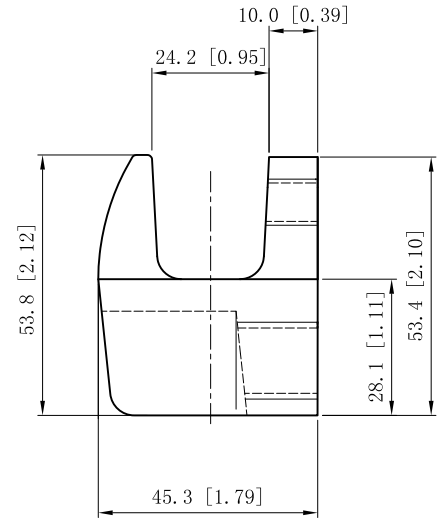
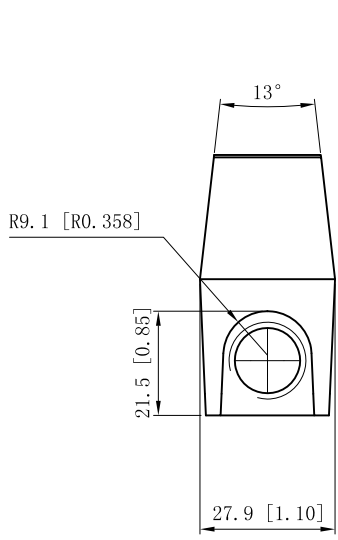
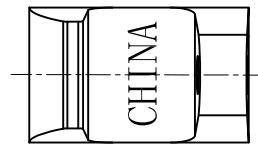


SIDES	BOTTOM
1 PCS 3/8-16×2 Screws Installed	
1 PCS 3/8-16 Nut Installed	
Material:Steel-Malleable Lron 32510 Sandblast	



DESCRIPTION
TRADE REFERENCE TERMS

STANDARD PACKING
25/250 PCS

This data sheet is for reference only .GARVIN INDUSTRIES reserves the right to make changes to the design without prior notice.

<b>GARVIN INDUSTRIES</b>		
PIPE-FITTERS TOP BEAM CLAMP		
SIZE A4	DWG NO. JFC-5811	REV
DATA SHEET		