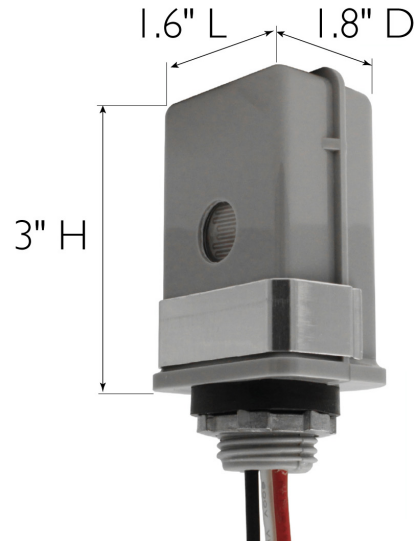


# Stem Mount Outdoor Photocontrol



## SPECIFICATIONS

PHOTOCONTROL TYPE:	Electronic	SENSOR TIME DELAY:	Instant on; 30 -120 seconds off
APPLICATION COMPATIBILITIES:	LED; HID	FAIL MODE:	On
PHOTOCONTROL STYLE:	Stem Mount	ACTIVATION ON:	1.0 fc
PHOTOCONTROL SENSOR LOCATION:	Side	ACTIVATION OFF:	1.5 fc
HOUSING MATERIAL:	Polycarbonate		
PRODUCTION DIMENSIONS:	3" H x 1.6" L x 1.8" D		
WEIGHT:	.15 lbs.	VOLTAGE:	120
WIRE LENGTH LEAD:	6"	TUNGSTEN RANGE:	1800 W
WIRE SIZE MAX:	#16 AWG	BALLAST:	1100 VA
THREADED STEM SIZE:	1/2"	TEMPERATURE OPERATION:	-40°F to 140°F

WARRANTY:	5-Year limited warranty
UL/ETL CERTIFICATION:	UL
WET/DRY/DAMP LISTING:	Wet
ROHS CERTIFICATION:	Yes
IP GRADE:	IP54



TYPE:
JOB:
ORDER CODE:
APPROVALS: