

**Talis C**  
**Prep Kitchen Faucet, 2-Spray Pull-Down, 1.75 GPM**  
 Finishes : **chrome** Part no. : **04216000**



**Description**

**Features**

- Swivel range 150°
- Aerated and needle spray
- Locking spray diverter (reverts to default spray mode upon valve closing)
- MagFit magnetic sprayhead docking
- Single-hole installation
- Flow: 1.75 GPM (6.6 L/Min)
- Ceramic cartridge
- 3/8" connections
- Integrated double backflow prevention

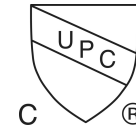
**Item details**

List Price \$ 612.00

**Technology**



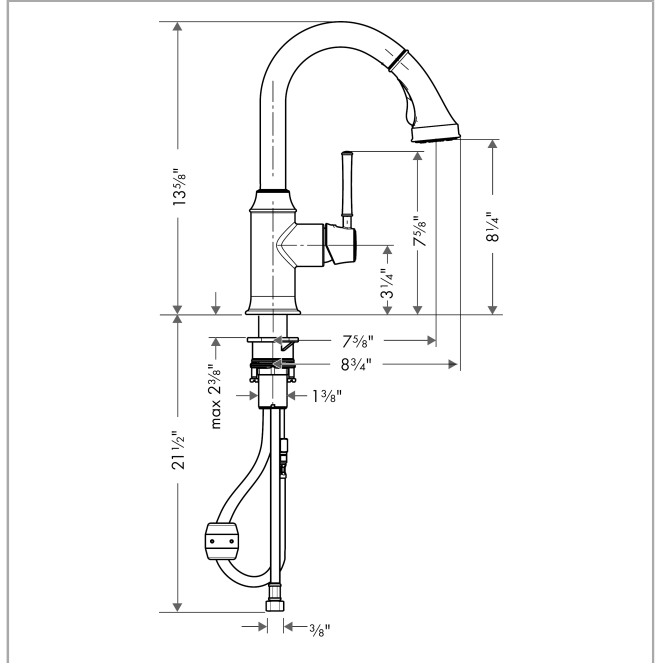
**Compliance**



**Product image**



**Scale drawing**

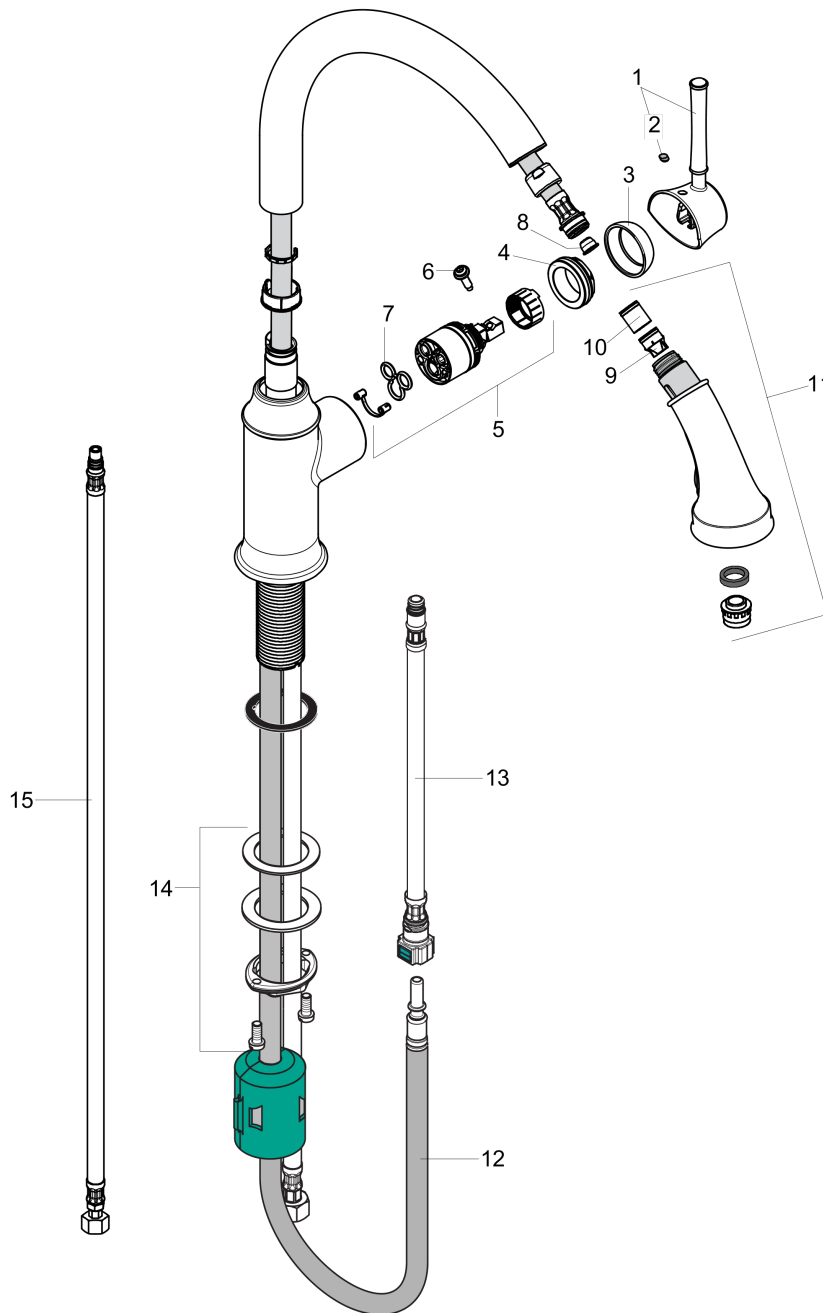


**Talis C**  
**Prep Kitchen Faucet, 2-Spray Pull-Down, 1.75 GPM**  
 Finishes : **chrome**    Part no. : **04216000**



Exploded drawing

Year of production: >10/18



**Talis C**  
**Prep Kitchen Faucet, 2-Spray Pull-Down, 1.75 GPM**  
 Finishes : **chrome** Part no. : **04216000**



## Spare parts list

Year of production: >10/18

| Pos. | Description                       | Part no. | Price | PU |
|------|-----------------------------------|----------|-------|----|
| 1    | handle                            | 95900000 | -     | 1  |
| 2    | screw cover                       | 96338000 | -     | 1  |
| 3    | flange                            | 95498000 | -     | 1  |
| 4    | nut                               | 97209000 | -     | 1  |
| 5    | cartridge, assy                   | 92730000 | -     | 1  |
| 6    | locking screw for handle          | 95140000 | -     | 1  |
| 7    | seal                              | 95008000 | -     | 1  |
| 8    | filter                            | 97735000 | -     | 1  |
| 9    | set of non return valves DW 15    | 97350000 | -     | 1  |
| 10   | non return valve                  | 93218000 | -     | 1  |
| 11   | handspray                         | 95899000 | -     | 1  |
| 12   | hose 1,50 m                       | 88624000 | -     | 1  |
| 13   | connection hose 600 mm M10x1      | 95561000 | -     | 1  |
| 14   | fixing set (Ø 34)                 | 95049000 | -     | 1  |
| 15   | connection hose 35½" M8x0,75 3/8" | 96316001 | -     | 1  |
| a    | hose 1,50 m                       | 95507000 | -     | 1  |
| b    | aerator M24x1 (15 l/min)          | 13913000 | -     | 1  |