

Sentinel Mark II® Diverter Trim and Shower System (Valve not included)

## MODELS:

- SLV-3460: Includes VS-100-PC 2.5 GPM (9.5 L/min) Flow Rate Hand Held Shower and S-2272 2.5 GPM (9.5 L/min)
- SLV-3460-E175: Includes VS-100-PC-E175 1.75 GPM (6.6 L/min) Flow Rate Hand Held Shower and S-2272-E175 1.75 GPM (6.6 L/min)

## FEATURES:

- CPT-3401: Diverter Shower Valve Trim
- S-2272-E2 or S-2272-E175: Shower Head
- VS-100-PC or VS-100-PC-E175: Hand Held Shower with Pause/Trickle Button
- VS-115: Supply Ell with Wall Flange
- VS-117: Vacuum Breaker
- VS-124: 42 in. Slide Bar
- VS-145: 69 in. Metal Stainless Steel Hose

## VALVE OPTIONS:

- CPV-PB-DV: Pressure Balance Diverter Valve Sweat & Thread Connections
- CPV-PB-DV-PXC: Pressure Balance Diverter Valve PEX F1807 Crimp Inlet Connections
- CPV-PB-DV-PXE: Pressure Balance Diverter Valve PEX F1960 Cold-Expansion Inlet Connections
- CPV-T2-DV: Thermostatic Diverter Valve Sweat & Thread Connections
- CPV-T2-DV-PXC: Thermostatic Diverter Valve PEX F1807 Crimp Inlet Connections
- CPV-T2-DV-PXE: Thermostatic Diverter Valve PEX F1960 Cold-Expansion Inlet Connections



## STOCK FINISHES:



PC

## STANDARDS:

- ASME A112.18.1/CSA B125.1 certified
- ADA compliant

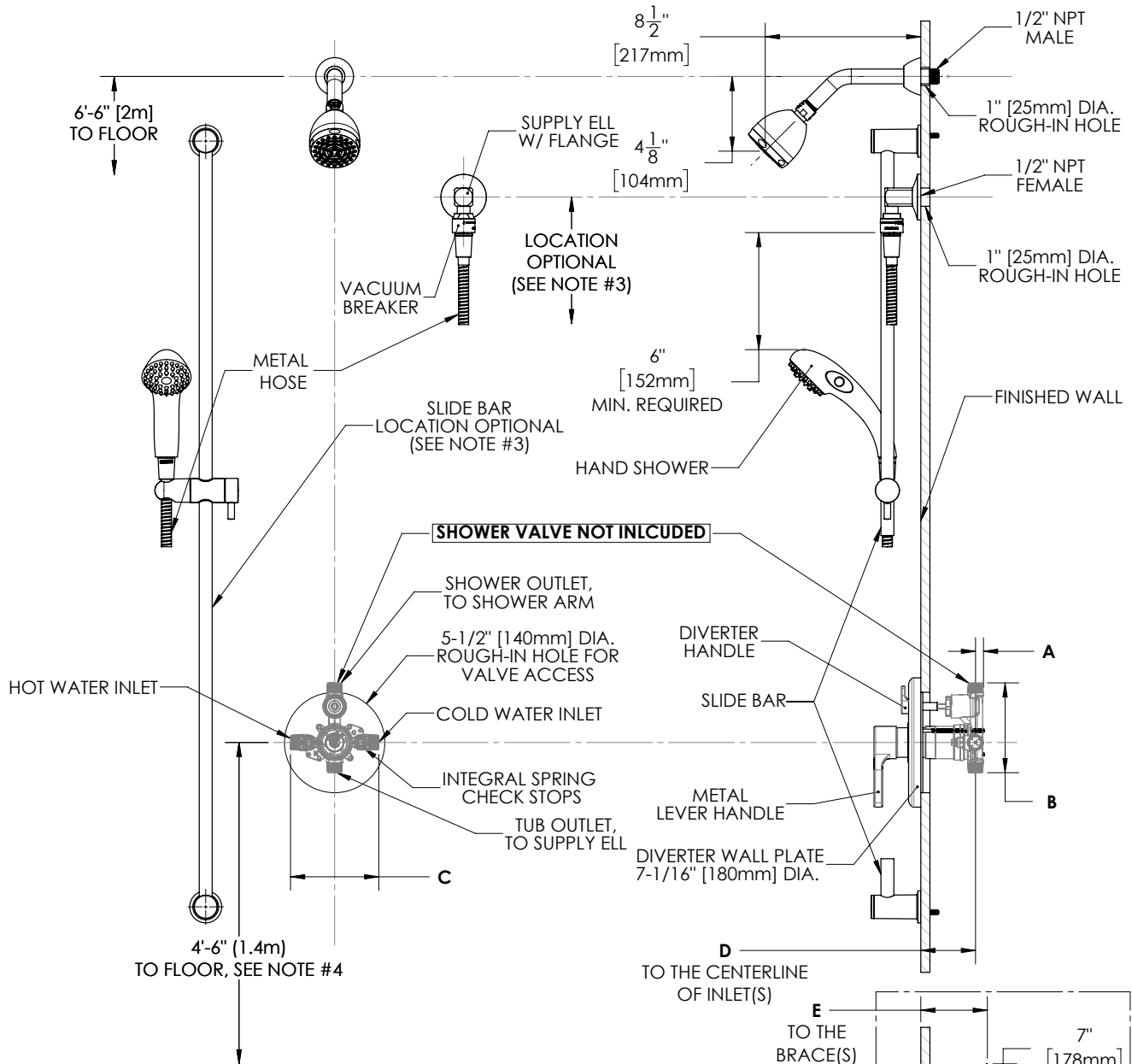
## WARRANTY:

Visit [www.speakman.com](http://www.speakman.com) for full product warranty information

- See [Speakman.com](http://Speakman.com) For Warranty Information

Information continues on next page

## Sentinel Mark II® Diverter Trim and Shower System (Valve not included)



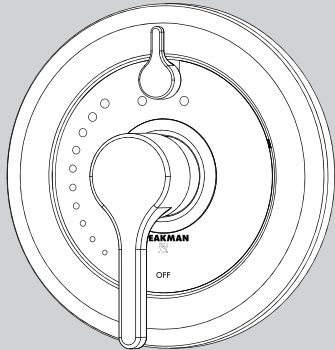
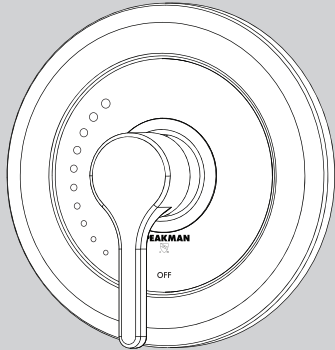
**NOTES:**

1. ALL DIMENSIONS ARE IN INCHES [MILLIMETERS] UNLESS OTHERWISE SPECIFIED AND ARE SUBJECT TO CHANGE WITHOUT NOTICE.
2. THE LOCATION OF THE SLIDE BAR AND SUPPLY ELL IS OPTIONAL, BUT RESTRICTED BY THE 69" HOSE LENGTH RUNNING FROM SUPPLY ELL CONNECTION TO THE HAND SHOWER AND THE 6" MINIMUM REQUIREMENT BETWEEN THE IN-LINE VACUUM BREAKER AND TOP OF THE HAND SHOWER (HAND SHOWER ADJUSTED TO HIGHEST POSITION).
3. FOR ADA MOUNTING LOCATIONS CONSULT ADAAG, ANSI A117.1, OR STATE REGULATIONS.

DIMENSION	CPV-PB-DV	CPV-T2-DV	CPV-PB-DV-PXC	CPV-PB-DV-PXE	CPV-T2-DV-PXC	CPV-T2-DV-PXE
A	7/16" (11mm)	9/16" (14mm)	7/16" (11mm)	7/16" (11mm)	9/16" (14mm)	9/16" (14mm)
B	4-15/16" (125mm)	5-1/16" (128mm)	4-15/16" (125mm)	4-15/16" (125mm)	5-1/16" (128mm)	5-1/16" (128mm)
C	4-13/16" (123mm)	5-7/8" (150mm)	4-13/16" (123mm)	4-13/16" (123mm)	5-7/8" (150mm)	5-7/8" (150mm)
D	2-1/2" (63mm) MIN TO 3-1/2" (89mm) MAX					
E			3-1/8" (79mm) MIN TO 4-1/8" (105mm) MAX		3-3/16" (81mm) MIN TO 4-3/16" (106mm) MAX	

## INSTRUCTIONS FOR MODELS

CPT-3001  
CPT-3401



### NEED HELP?

For additional assistance or service please contact:

**SPEAKMAN®**

800-537-2107

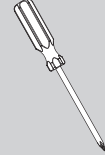
customerservice@speakman.com

www.speakman.com

92-CPT-3001-01

## TOOLS AND SUPPLIES

Phillips  
Screwdriver



Hex Key Wrench  
(included)



### IMPORTANT



- Be sure to read instructions thoroughly before beginning installation.
- Be sure to have properly adjusted the Temperature Limiting Stop (TLS) as outlined in the Valve Installation Manual.
- Cover your drain to prevent loss of parts. Be sure to wear eye protection while cutting pipe.

### MAINTENANCE



Your new Valve Trim is designed for years of trouble-free performance. Keep it looking new by cleaning it periodically with a soft cloth. The use of harsh chemicals and abrasives on any of the Speakman custom finish products may damage the finish and void the product warranty. Please be sure to only use approved cleaners. Please contact Speakman for any clarification of acceptable cleaners.

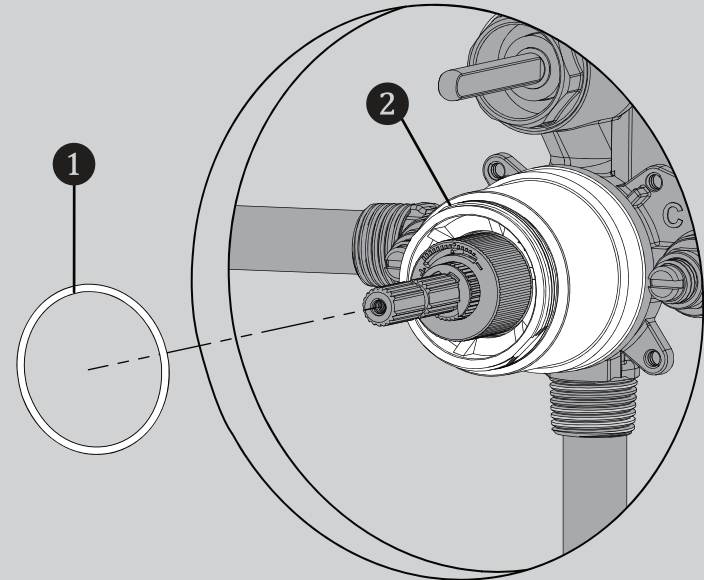
### WARRANTY



Warranty information can be found at:  
[www.speakman.com](http://www.speakman.com)

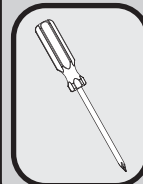
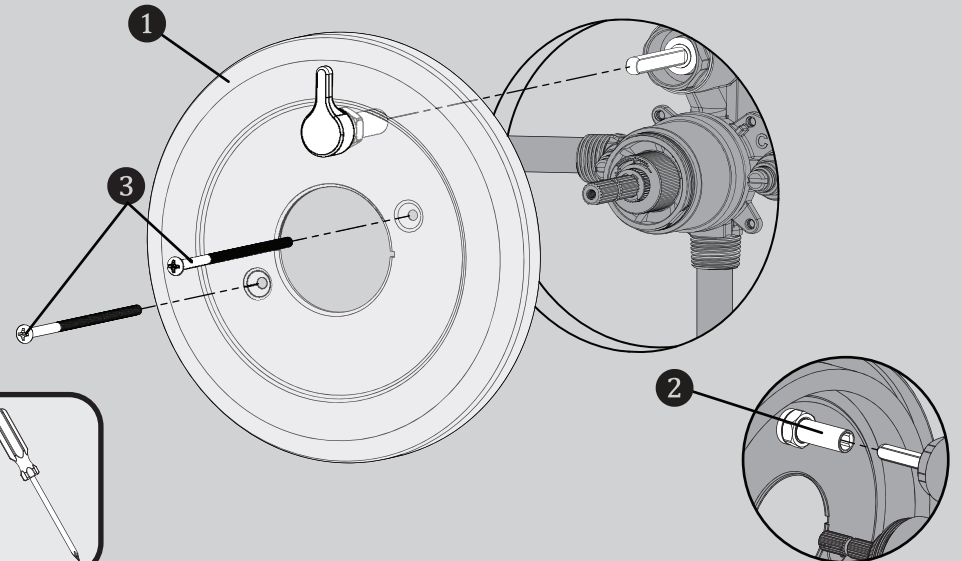
1

**OPTIONAL:** If a firm fit is required, insert the O-Ring **1** onto the Bonnet **2** of the Shower Valve.

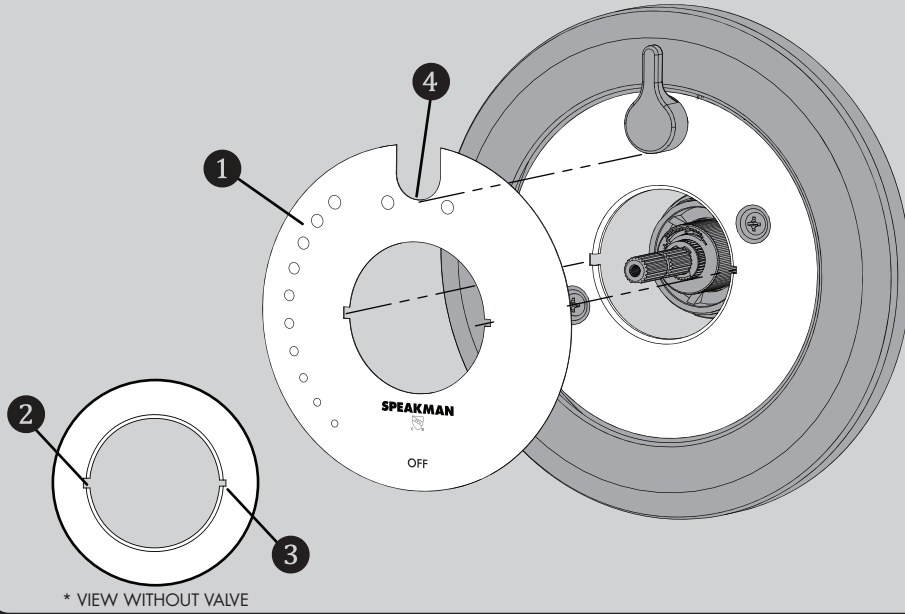


2

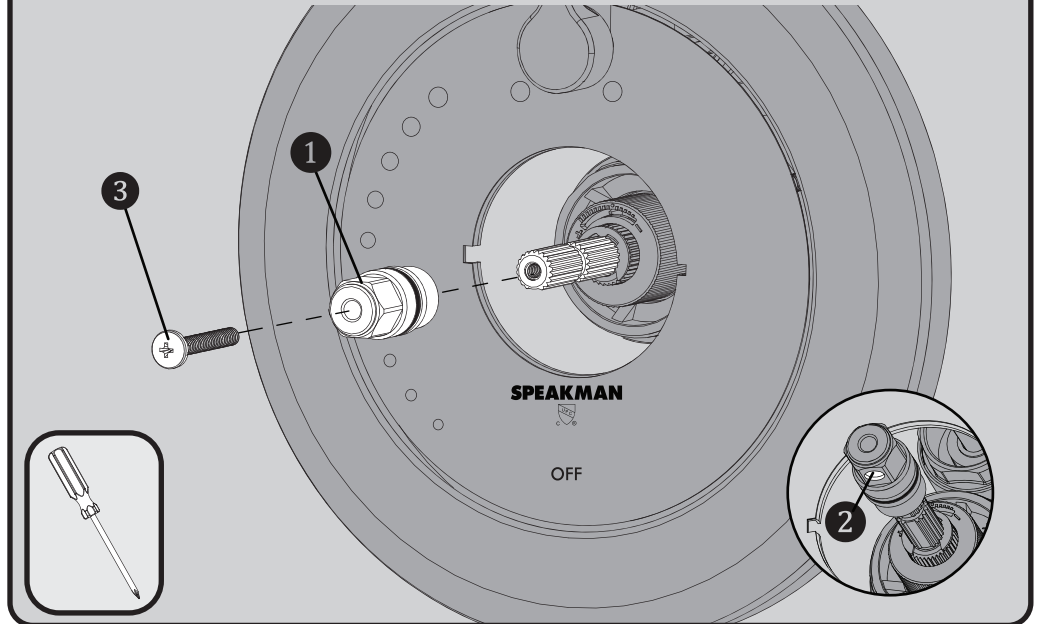
Verify that the Valve is in the "OFF" position. Install the Wall Plate **1** to the Valve. If installing a Diverter model of Trim, align the Diverter Handle to the 12 o'clock position and position the Diverter Drive Tube **2** over the Diverter Spindle of the Valve. Secure with the included Mounting Screws **3**.



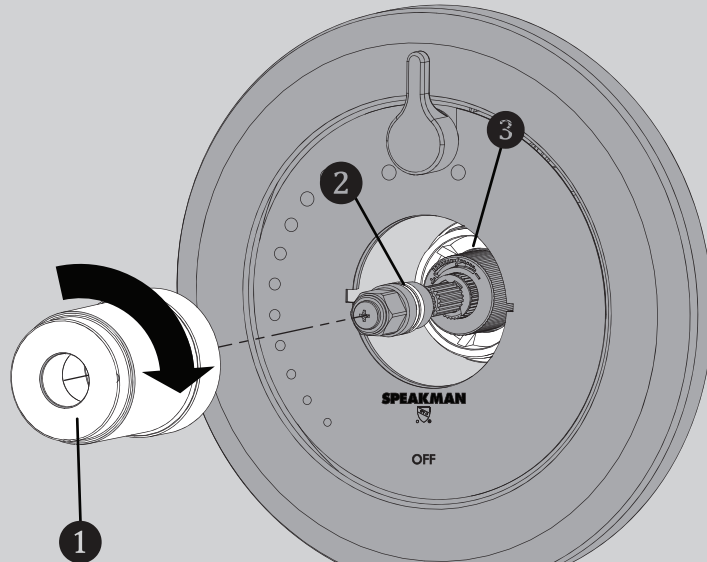
**3** Align the Index Plate **1** with the Large Slot **2** and Small Slot **3** on the Wall Plate. If installing onto a Diverter Model, align the U shape **4** under the Diverter Handle and then align to the slots.



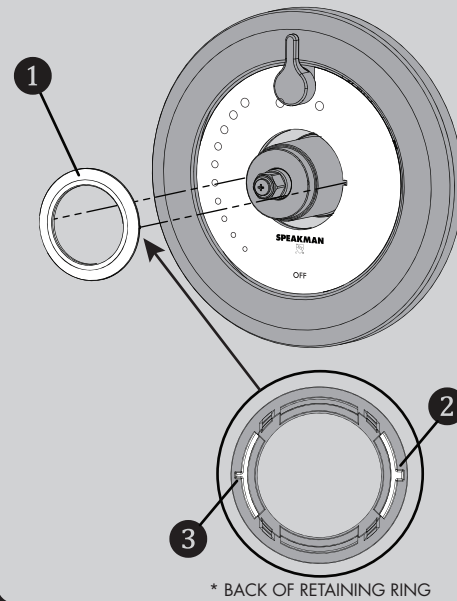
**4** Install the Spindle Adapter **1** (with appropriate O-ring in its place) onto the Spindle so that the Circular Indent **2** is pointing downward and is horizontal as shown below. Secure the Spindle Adapter with the included Screw **3**.



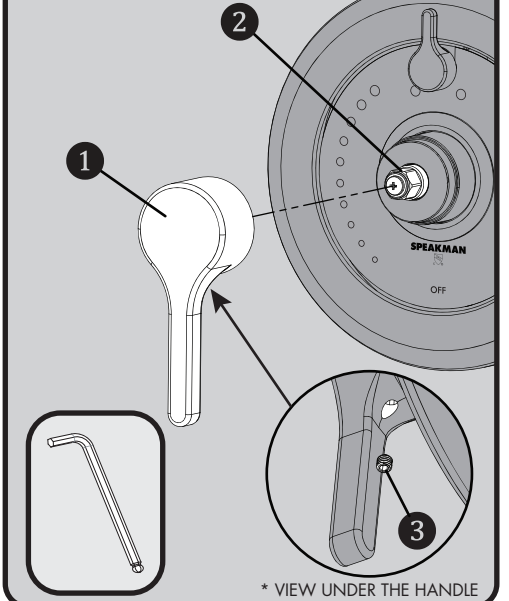
**5** Push the Escutcheon **1** gently over the O-ring **2** of Spindle Adapter. Thread the Escutcheon onto the Bonnet **3** of the Valve. Hand tighten into position.



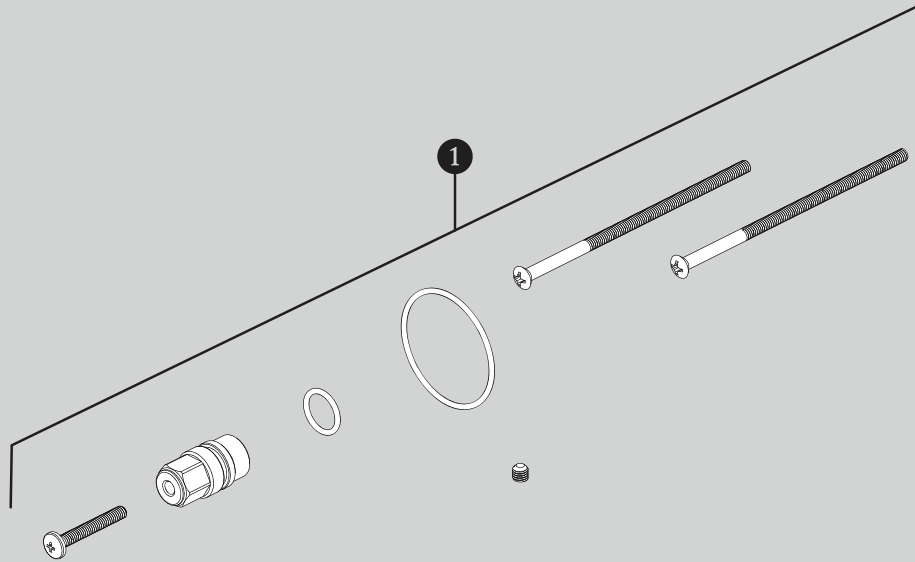
**6** Install Retaining Ring **1**. Align the Retaining Ring with the Large Slot **2** and Small Slot **3** on the Wall Plate. Snap in place.



**7** Orient the Handle **1** as shown below and position over the Spindle Adapter **2**. Secure with the included Set Screw **3**.



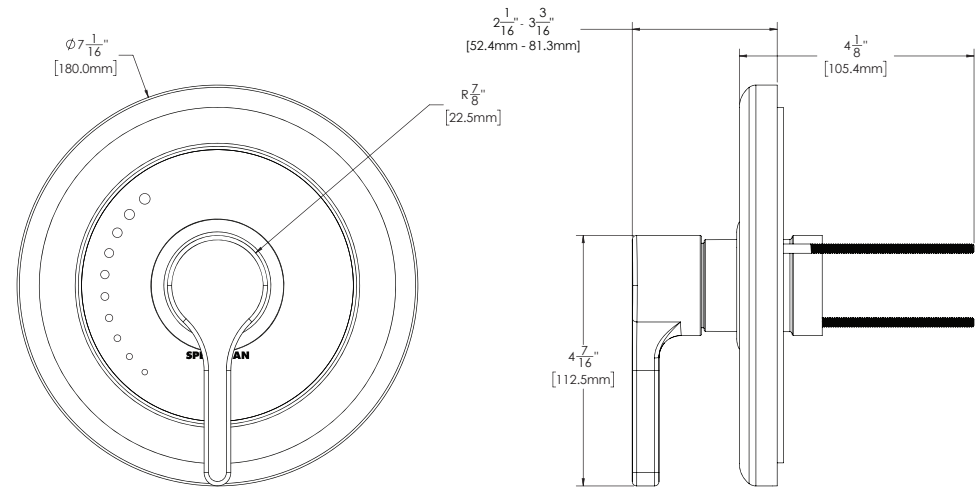
## CPT-3001/3401 REPAIR PARTS



ITEM NO.	PART NO.	DESCRIPTION
1	RPG05-1126	REPAIR PARTS GROUP FOR CPT-3X01 TRIMS

## CPT-3001 ROUGH-IN DIAGRAM

**SPEAKMAN®**

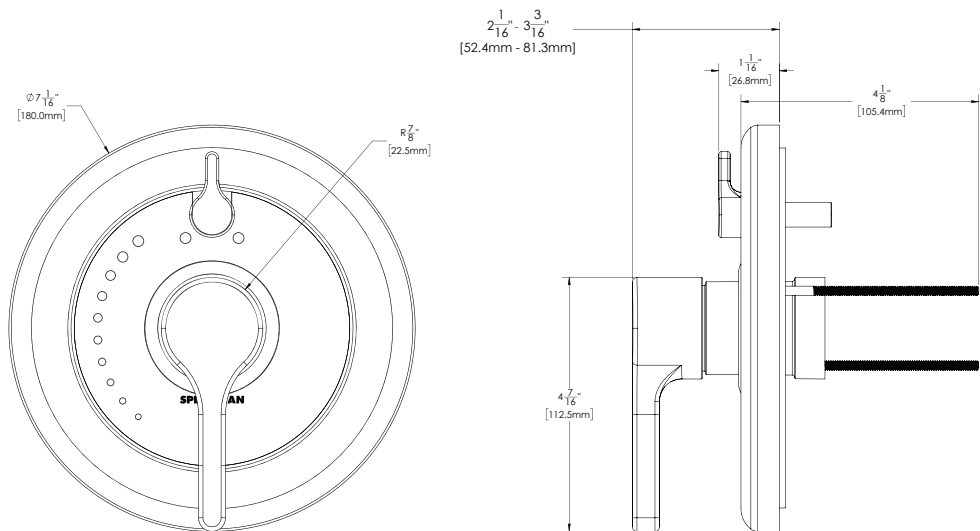


TRIM IS SHOWN AT A ROUGH-IN DEPTH OF 3.0in

DIMENSIONS SUBJECT TO CHANGE WITHOUT NOTICE.

## CPT-3401 ROUGH-IN DIAGRAM

**SPEAKMAN®**

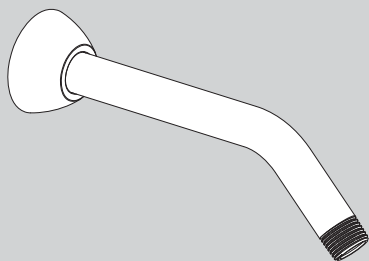


TRIM IS SHOWN AT A ROUGH-IN DEPTH OF 3.0in

DIMENSIONS SUBJECT TO CHANGE WITHOUT NOTICE.

## INSTRUCTIONS FOR MODELS

### S-2500



### NEED HELP?

For additional assistance or service please contact:

**SPEAKMAN**® Company  
400 Anchor Mill Road  
New Castle, DE 19720

800-537-2107

customerservice@speakman.com

www.speakman.com

92-S-2500-R5

## TOOLS AND SUPPLIES

Thread Seal  
Tape



### IMPORTANT



Be sure to read instructions thoroughly before beginning installation. Do not overtighten any connections or damage may occur.

### SAFETY TIPS

Cover your drain to prevent loss of parts.

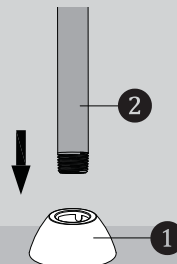
### MAINTENANCE

Your new Shower Arm is designed for years of trouble-free performance. Keep it looking new by cleaning it periodically with a soft cloth. Avoid abrasive cleaners, steel wool and harsh chemicals as these will dull the finish and void your warranty.

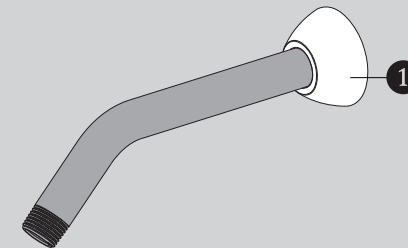
### WARRANTY

Additional warranty information can be found at:  
[www.speakman.com](http://www.speakman.com)

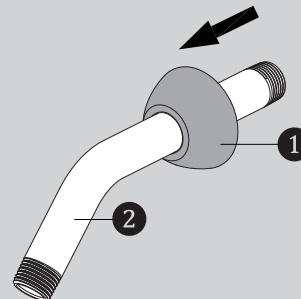
- 1 Place the Escutcheon Plate (1) on a flat surface. Push the long end of the Shower Arm (2) down into the plate. This will help the teeth of the plate slide over the arm easier.



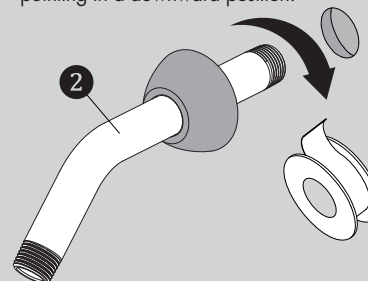
- 4 Position Escutcheon Plate (1) flat against wall.



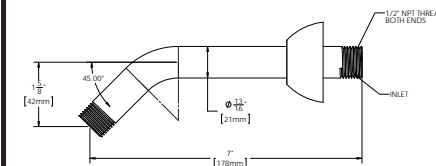
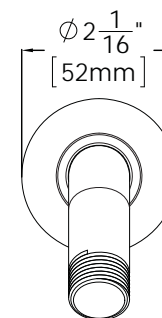
- 2 Once the Escutcheon Plate (1) is on the shower arm, slide the plate over the Shower Arm (2).



- 3 Apply Teflon Tape to inlet side of Shower Arm (2). Thread Shower Arm (2) into Female Pipe Fitting within the wall. Firmly tighten, and make sure Shower Arm (2) Outlet is pointing in a downward position.



## ROUGH IN DIMENSIONS



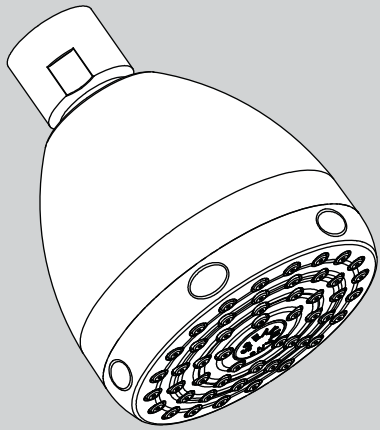
### Specifications:

Supply Inlet: 1/2" NPT MALE

Outlet: 1/2" NPT MALE

## INSTRUCTIONS FOR MODELS


S-2272-E2  
S-2272-E15



### NEED HELP?

For additional assistance or service please contact:

**SPEAKMAN**® Company  
400 Anchor Mill Road  
New Castle, DE 19720

 800-537-2107

 customerservice@speakman.com

 www.speakman.com

92-S-2272-01

## TOOLS AND SUPPLIES

Thread Seal  
Tape



Adjustable  
Wrench



### IMPORTANT



Be sure to read instructions thoroughly before beginning installation. Do not overtighten any connections or damage may occur.

### SAFETY TIPS

Cover your drain to prevent loss of parts.

### MAINTENANCE

Periodic cleaning using a mild soap and warm water will help keep your Showerhead's appearance in its original condition.

For best results, dry immediately with a soft, clean cloth. **DO NOT USE** harsh and/or abrasive cleaners.

To help restore the finish, occasionally apply a non-abrasive wax to your showerhead body (follow manufacturers' instructions).

On **CHROME PLATED SHOWER HEADS**, a two (2) part white vinegar, one (1) part water solution can be used to break down excessive mineral deposits on the sprays. Let the showerhead soak in the solution for about ½ hour then rinse thoroughly. Brush off any remaining mineral deposits if necessary.

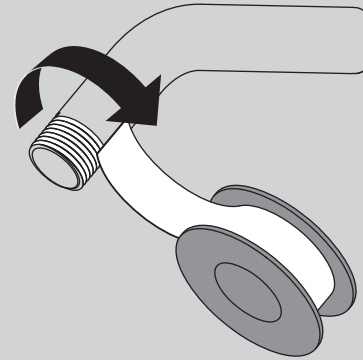
**DO NOT USE** the vinegar/water treatment on any finish other than Chrome.

### WARRANTY

Additional warranty information can be found at:  
[www.speakman.com](http://www.speakman.com)

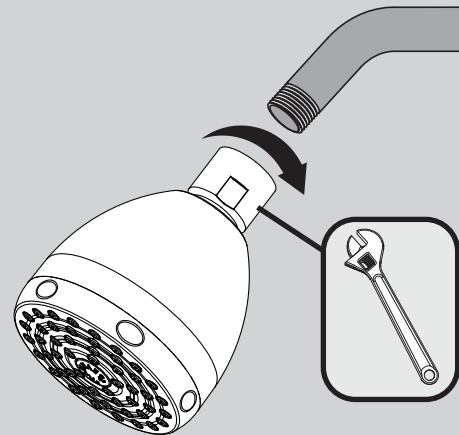
1

Apply Teflon Tape to the outlet side of shower arm in a clockwise direction.

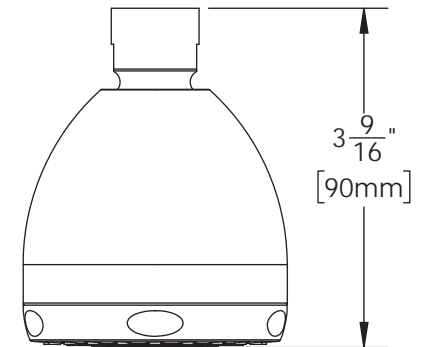
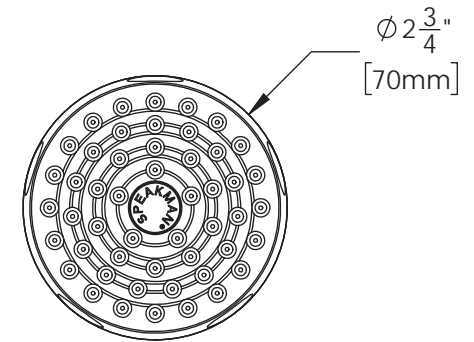


2

Thread Shower head onto shower arm by turning it in a clockwise direction. Tighten with adjustable wrench. Turn water supply on and check for leaks.



## ROUGH IN DIMENSIONS



Model: S-2272-E2

Max. Flow Rate: 2.0 gpm (7.6 L/min)

Min. Flow Rate: 1.5 gpm (5.7 L/min) @ 45psi

FOR USE WITH AUTOMATIC COMPENSATING VALVES RATED AT 6.6 L/MIN (1.75 GPM) OR LESS.

Model: S-2272-E15

Max. Flow Rate: 1.5 gpm (5.7 L/min)

Min. Flow Rate: 1.1 gpm (4.2 L/min) @ 45psi

FOR USE WITH AUTOMATIC COMPENSATING VALVES RATED AT 5.2 L/MIN (1.37 GPM) OR LESS.

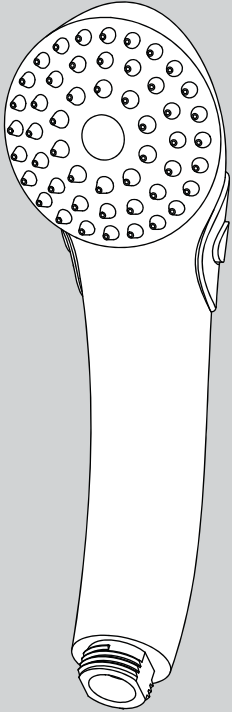
### Specifications:

Inlet: 1/2" NPSM FEMALE



## INSTRUCTIONS FOR MODELS


VS-100-PC  
VS-100-PC-E2  
VS-100-PC-E175



### NEED HELP?

For additional assistance or service please contact:

**SPEAKMAN**® Company  
400 Anchor Mill Road  
New Castle, DE 19720

 800-537-2107

 customerservice@speakman.com

 www.speakman.com

92-VS-100-PC-04

## TOOLS AND SUPPLIES

Thread Seal  
Tape  
(included)



### IMPORTANT



Be sure to read instructions thoroughly before beginning installation. Do not overtighten any connections or damage may occur. This hand shower has an optimal operating range of 20-80 psi.

### SAFETY TIPS



Cover your drain to prevent loss of parts.

### MAINTENANCE



Periodic cleaning using a mild soap and warm water will help keep your Hand Shower's appearance in its original condition.

For best results, dry immediately with a soft, clean cloth. **DO NOT USE** harsh and/or abrasive cleaners.

On CHROME PLATED HAND SHOWERS, a two (2) part white vinegar, one (1) part water solution can be used to break down excessive mineral deposits on the sprays. Let the hand shower soak in the solution for about ½ hour then rinse thoroughly. Brush off any remaining mineral deposits if necessary.

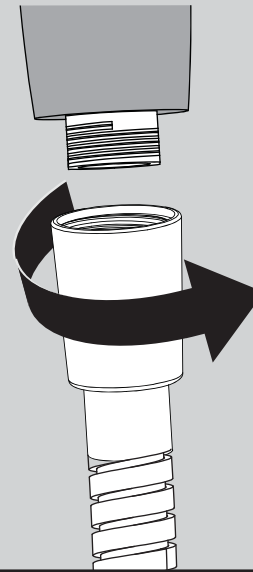
**DO NOT USE** the vinegar/water treatment on any finish other than Chrome.

### WARRANTY

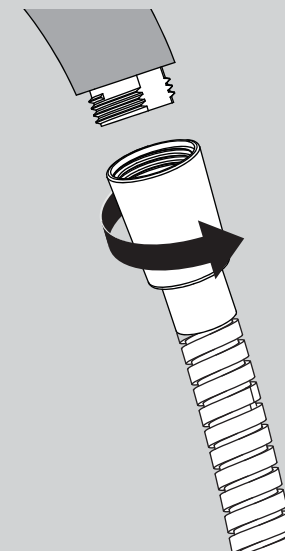


Additional warranty information can be found at:  
[www.speakman.com](http://www.speakman.com)

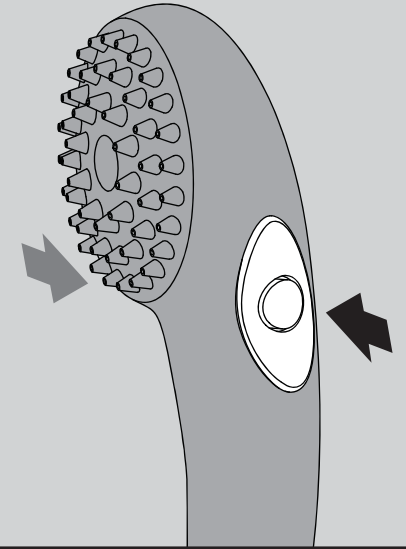
- 1** Connect the correct side of your hose (not included) to the water supply. Hand tighten.



- 2** Connect remaining end of Hose to inlet of Hand Shower. Hand tighten. If there are leaks at the hose connections, look into using thicker washers to ensure a tight seal.

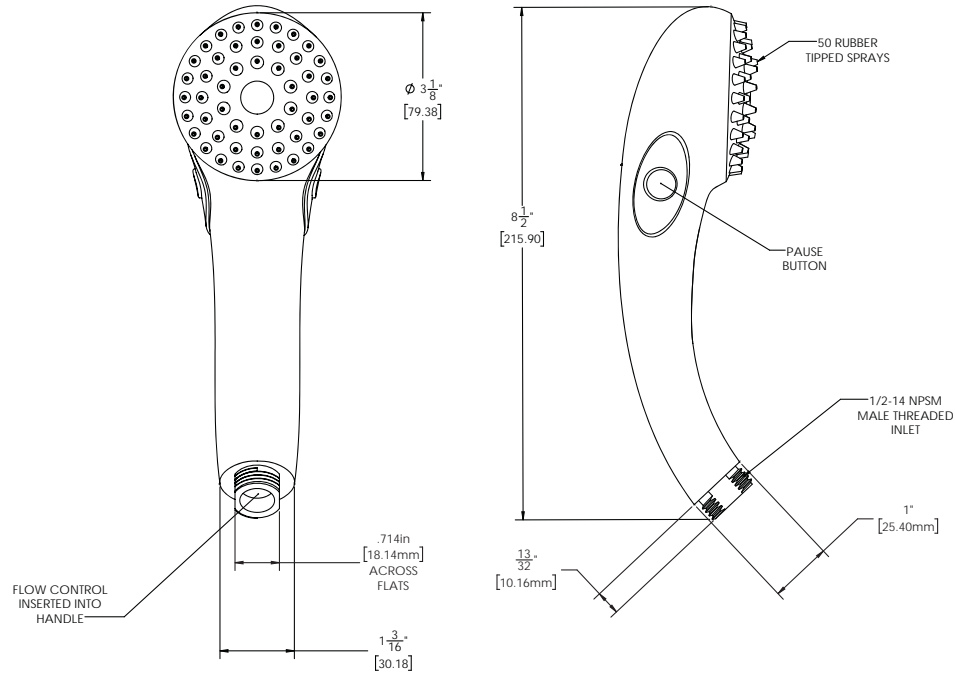


- 3** To pause the flow of water, press the integral thumb operated pause/trickle button located on the side of the hand shower. To return the hand held shower to full flow, press the shuttle button from the opposite side.





## ROUGH IN DIMENSIONS



### VS-100-PC

Max. Flow Rate: 2.5 gpm (9.5L/min)

Min. Flow Rate: 2.0 gpm (7.6 L/min) @ 45psi

FOR USE WITH AUTOMATIC COMPENSATING VALVES  
RATED AT 7.6 L/MIN (2.0 GPM) OR LESS.

### VS-100-PC-E2

Max. Flow Rate: 2.0 gpm (7.6 L/min)

Min. Flow Rate: 1.5 gpm (5.7 L/min) @ 45psi

FOR USE WITH AUTOMATIC COMPENSATING VALVES  
RATED AT 6.6 L/MIN (1.75 GPM) OR LESS.

### VS-100-PC-E175

Max. Flow Rate: 1.75 gpm (6.6 L/min)

Min. Flow Rate: 1.3 gpm (4.9 L/min) @ 45psi

FOR USE WITH AUTOMATIC COMPENSATING VALVES  
RATED AT 5.7 L/MIN (1.5 GPM) OR LESS.

# **SPEAKMAN COMPANY**

## **VS-115 Installation, Maintenance & Operation Instructions**

### **VERSATILE® SUPPLY ELL**

#### **DESCRIPTION**

VERSATILE® chrome plated brass supply ell with wall flange.

#### **SPECIFICATIONS**

SUPPLY INLET: 1/2" NPT FEMALE  
OUTLET: 1/2" NPSM MALE  
SHIPPING WEIGHT: 0.4 LBS.

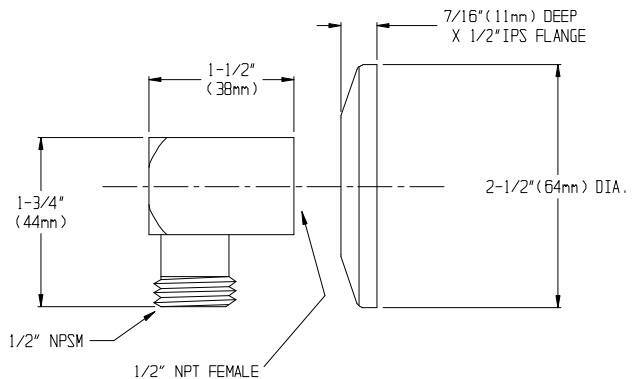
#### **INSTALLATION**

Slip the wall flange on to the inlet pipe. Using teflon tape or pipe dope on threads, screw ell onto pipe and wrench tighten. Connect accessories to supply ell and firmly hand tighten. Turn water supply on and check for leaks.

#### **MAINTENANCE**

The gleaming finish of your SPEAKMAN VERSATILE® VS-115 supply ell can be cleaned by using mild soap and warm water. Dry immediately with a soft, clean cloth for best results.

#### **ROUGH-IN MEASUREMENTS**



Product improvements may cause specification and dimensional changes without notice.

**SPEAKMAN®**

PO Box 191 Wilmington, DE 19899 Phone: 800-537-2107 Fax: 800-977-2747  
Visit us on the web at [www.speakmancompany.com](http://www.speakmancompany.com)

09/07  
REV 1  
92-1775

# **SPEAKMAN COMPANY**

## **VS-117 Installation, Maintenance & Operation Instructions**

### **VERSATILE® VACUUM BREAKER**

#### **DESCRIPTION**

VERSATILE® chrome plated brass in-line vacuum breaker.

#### **SPECIFICATIONS**

SUPPLY INLET: 1/2" NPSM FEMALE  
OUTLET : 1/2" NPSM MALE  
SHIPPING WEIGHT: XXX LBS.

#### **INSTALLATION**

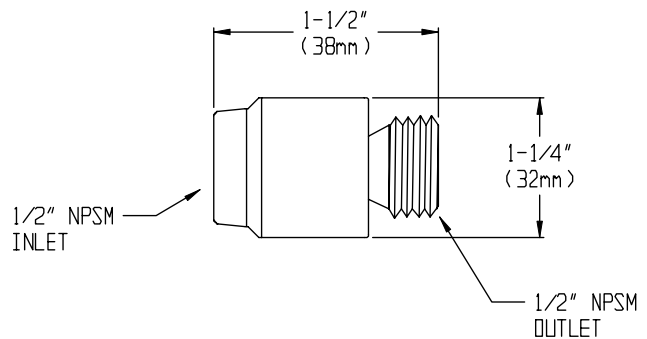
Connect, using rubber washer, to supply piping. Connect accessories to vacuum breaker. Firmly hand tighten connection. Turn water supply on and check for leaks.

Note: Do not install VS-117 in concealed locations or where spillage under certain service conditions might cause water damage. Avoid continuous pressure applications (shut off valve downstream of the vacuum breaker).

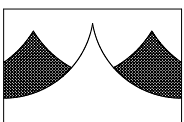
#### **MAINTENANCE**

The gleaming finish of your SPEAKMAN VERSATILE® VS-117 vacuum breaker can be cleaned by using mild soap and warm water. Dry immediately with a soft, clean cloth for best results.

#### **ROUGH-IN MEASUREMENTS**



Product improvements may cause specification and dimensional changes without notice.

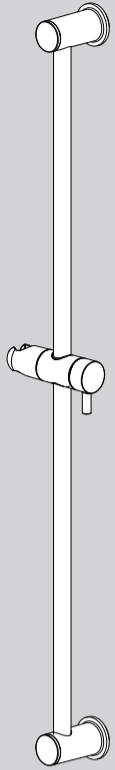


**SPEAKMAN COMPANY**  
The Quality Leader Since 1869  
P.O. Box 191, Wilmington, DE 19899-0191 USA  
1-800-537-2107, Fax: 1-800-977-2747

04/00  
92-1783

## INSTRUCTIONS FOR MODELS

VS-123  
VS-124



### NEED HELP?

For additional assistance or service please contact:

**SPEAKMAN**® Company  
400 Anchor Mill Road  
New Castle, DE 19720

800-537-2107

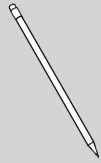
customerservice@speakman.com

www.speakman.com

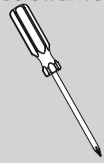
92-VS-12X-01

## TOOLS AND SUPPLIES

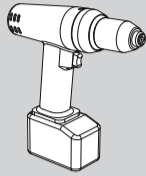
Pencil



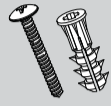
Phillips  
Screwdriver



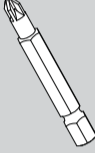
Drill



Mounting Hardware  
(included)



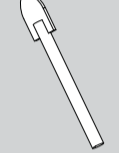
Phillips  
Drive Bit



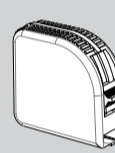
Drill Bit  
Ø 1/4"



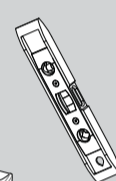
Tile Drill Bit  
Ø 1/4"



Measuring  
Tape



Level



## IMPORTANT



- Do not over-tighten any connections or damage may occur.
- Be sure to read instructions thoroughly before beginning installation.

### SAFETY TIPS

- Cover your drain to prevent loss of parts. Be sure to wear eye protection.

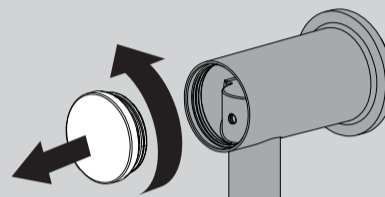
## MAINTENANCE

Your new Speakman Product is designed for years of trouble-free performance. Keep it looking new by cleaning it periodically with a soft cloth. The use of harsh chemicals and abrasives on any of the Speakman custom finish products may damage the finish and void the product warranty. Please be sure to only use approved cleaners. Please contact Speakman for any clarification of acceptable cleaners.

### WARRANTY

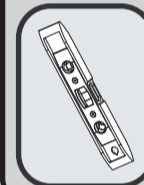
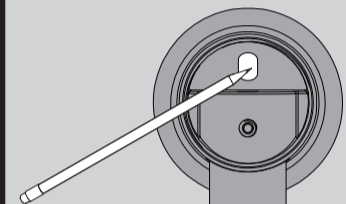
Warranty information can be found at:  
[www.speakman.com](http://www.speakman.com)

**1** Remove End Caps from both ends of Slide Bar assembly.



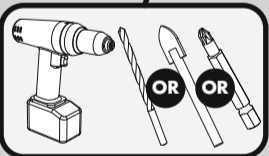
X2

**2** Place Slide Bar Assembly on to wall in the desired mounting position. Take care that the Slide Bar is oriented in a vertical position. Using a pencil, mark the 2 hole locations.



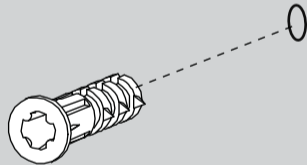
**3** If mounting directly to wood stud, Plastic Anchors are not required. If mounting to drywall or tile, select appropriate 1/4" drill bit and drill guide holes at marked locations.

Ø 1/4"



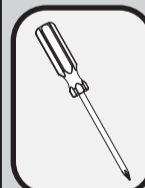
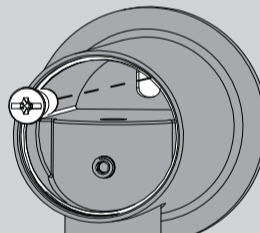
X2

**4** Insert Plastic Anchors into drilled holes and press/tap into place until the head is flush to the wall surface. (Note: Plastic Anchors provided may not be suitable for all types of wall construction, seek professional help if in doubt).



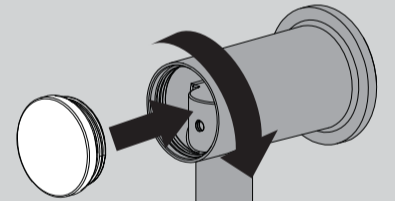
X2

**5** Secure Slide Bar Assembly to the wall with the Mounting Screws provided.



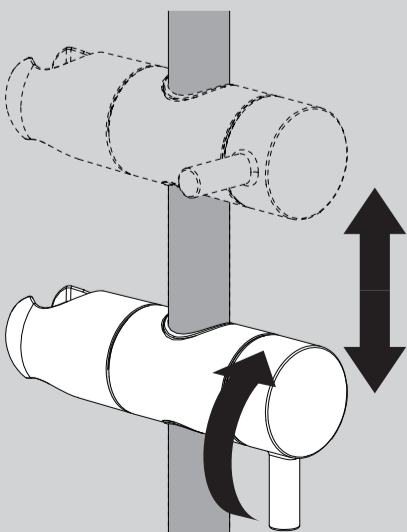
X2

**6** Re-install End Caps on both ends of Slide Bar assembly.

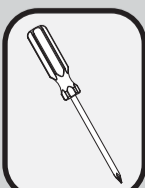
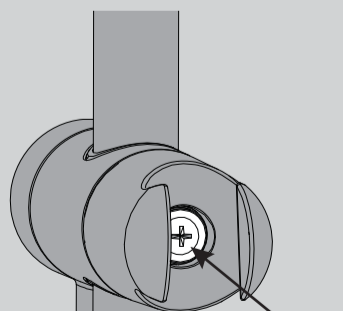


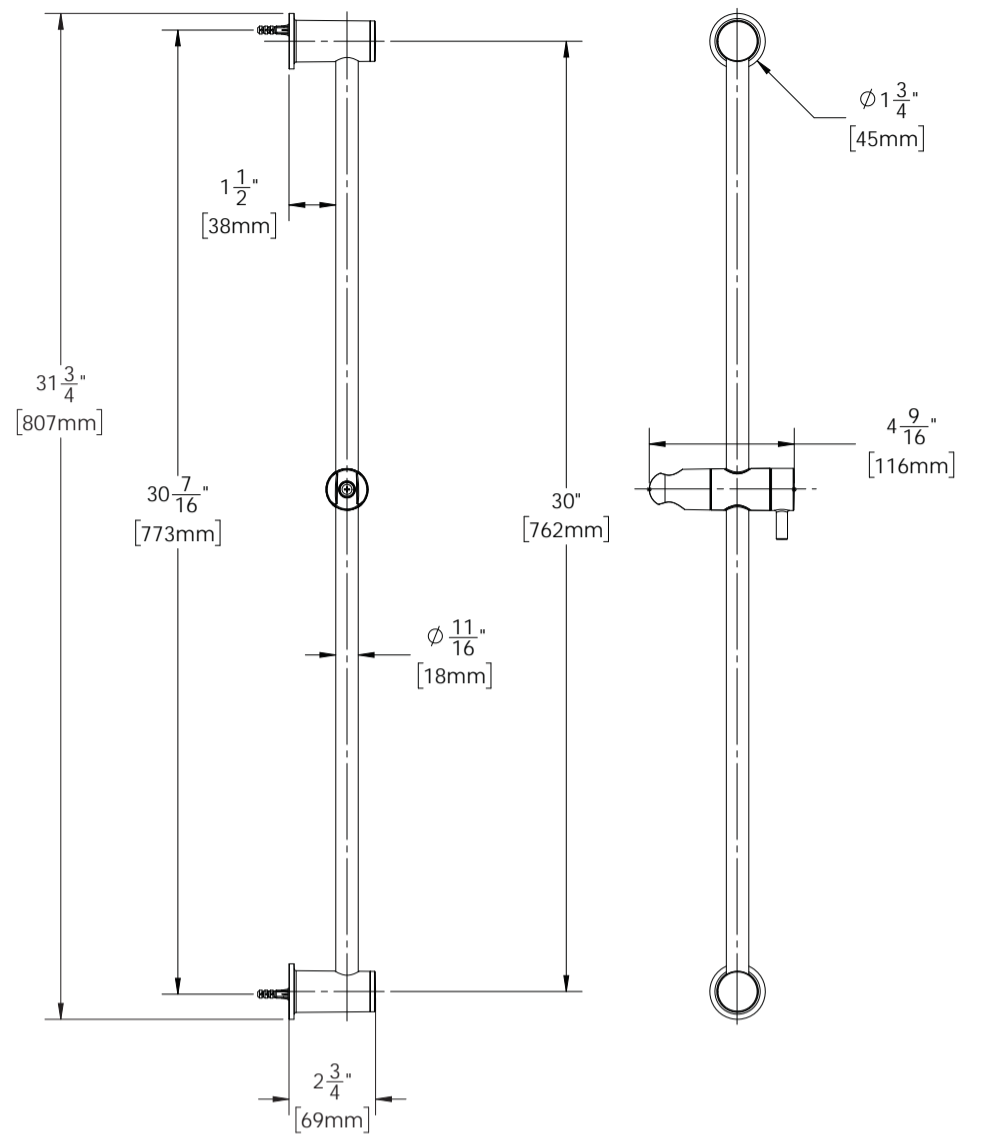
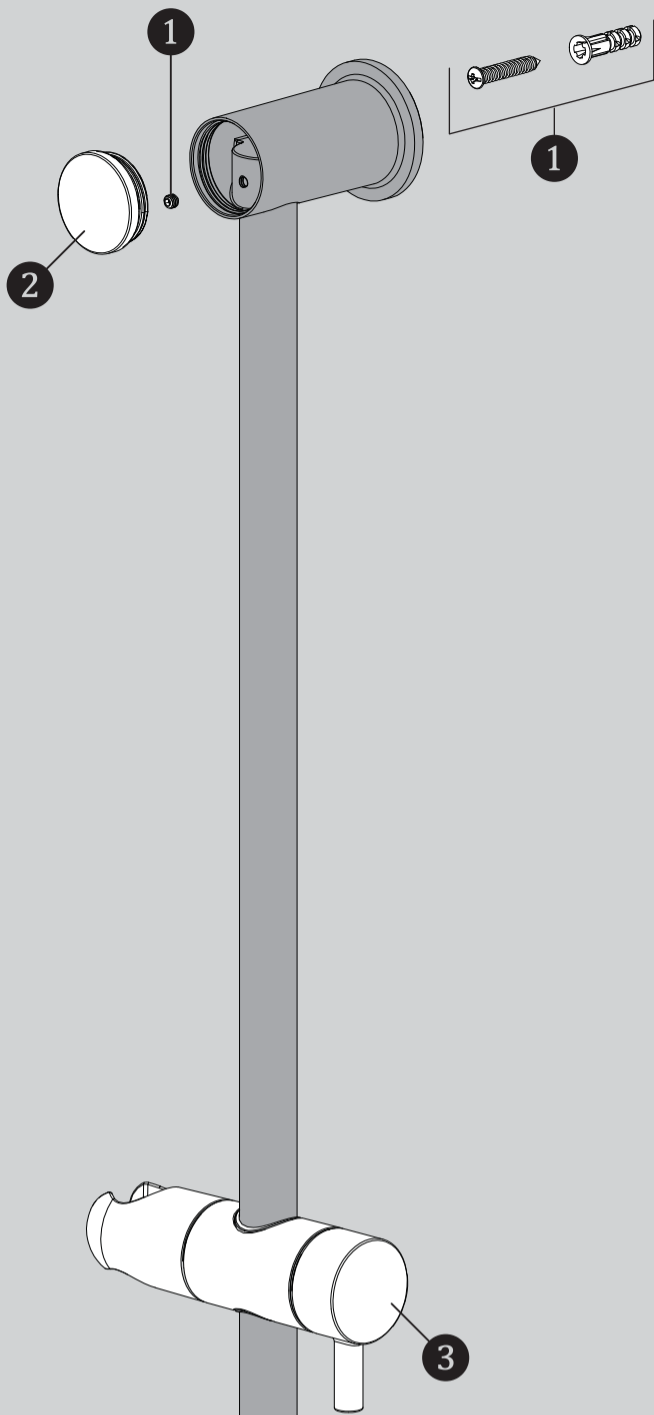
X2

**7** Orient the Hand Held Shower Bracket to your desired position. Adjustments are made by rotating the Handle counter-clockwise to release the position, and clockwise to lock into the desired position.

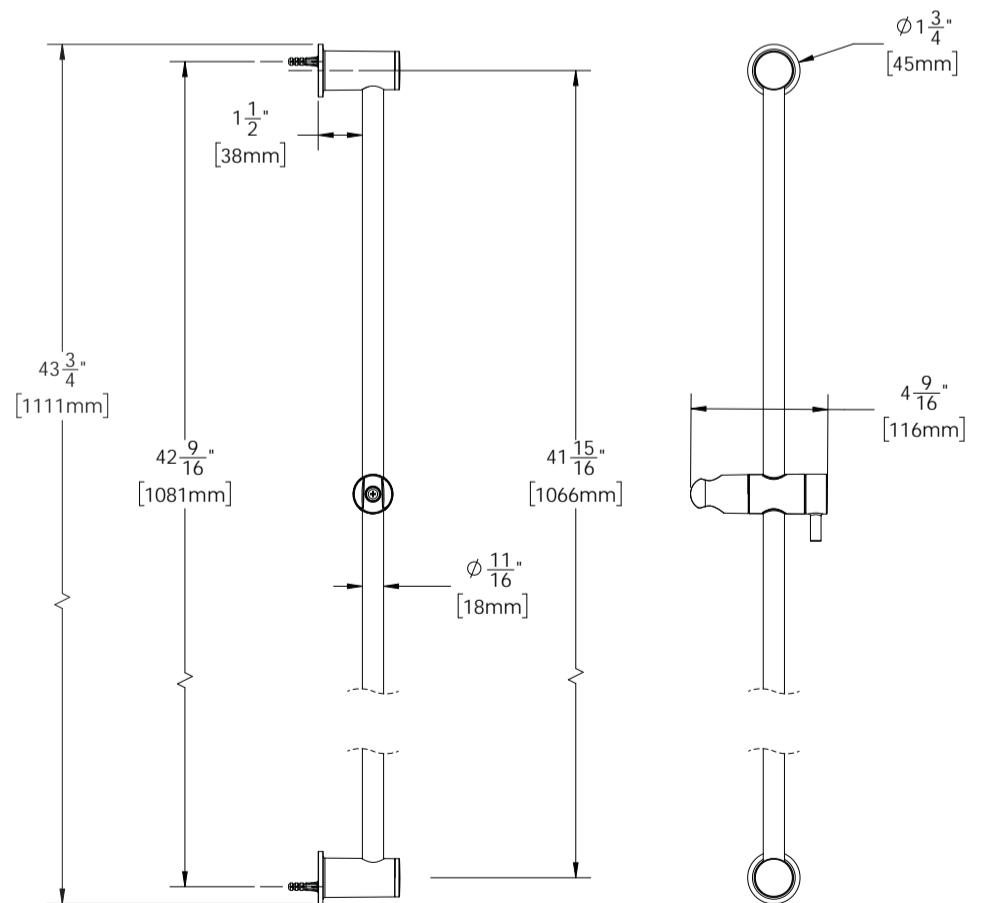


**8** Note: If the Hand Shower Holder no longer holds position, Tighten the Screw (1) in the Shower Holder using a Phillips Head Screwdriver.





DIMENSIONS SUBJECT TO CHANGE WITHOUT NOTICE.



DIMENSIONS SUBJECT TO CHANGE WITHOUT NOTICE.

ITEM NO.	PART NO.	DESCRIPTION
1	RPG05-108526	MOUNTING HARDWARE
2	RPG07-108527	END CAP REPAIR GROUP
3	RPG56-108517	HAND SHOWER HOLDER