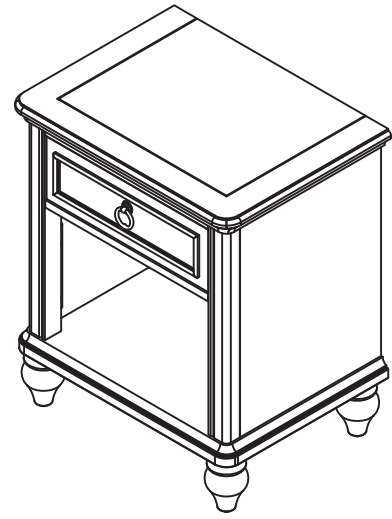


# Night Stand



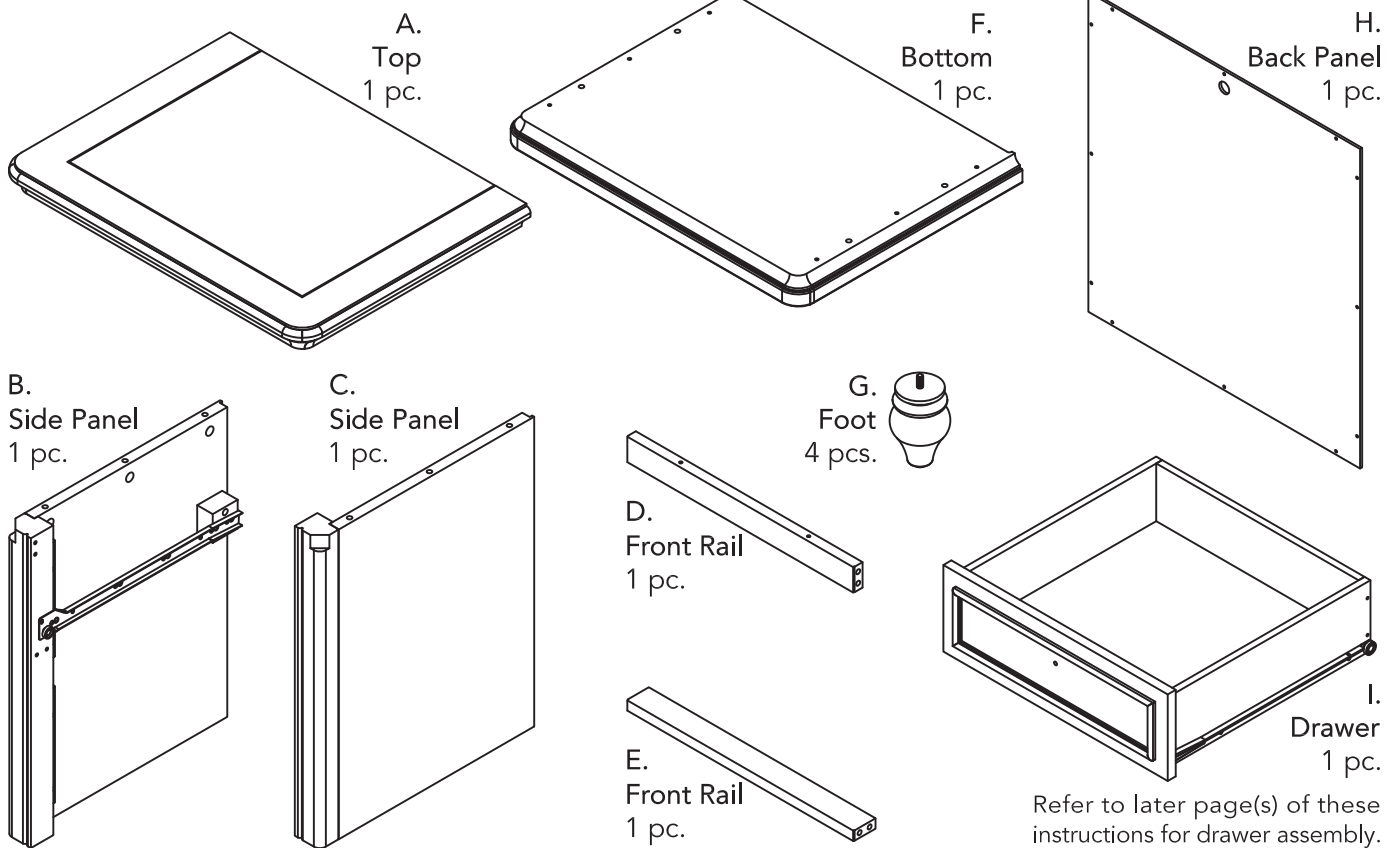
## IMPORTANT

Carefully remove all the parts from the carton and place them individually on a soft cloth to prevent scratches or other damage.

Carefully and strictly follow these assembly instructions to ensure a completed product as designed.

Do not use power tools above 8 volts to assemble.

## Part List



## Hardware List



Cam Lock Screw  
14 pcs. (+2 extra)



Cam Lock  
14 pcs. (+2 extra)



M4x51  
2" Round Head Screw  
8 pcs. (+1 extra)



M3x13  
1/2" Round Head Screw  
12 pcs. (+1 extra)



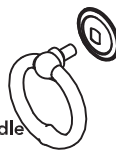
M3x32  
1 1/4" Flat Head Screw  
8 pcs. (+1 extra)



M3x19  
3/4" Flat Head Screw  
4 pcs. (+1 extra)



5/32"x1/2"  
Machine Screw  
1 pc.



Handle  
1 pc.



Dowel  
4 pcs. (+1 extra)

Tool(s) required for assembly: Phillips screwdriver, Level

homestyles Customer Service: [www.homestylesfurniture.com](http://www.homestylesfurniture.com),  
servicedesk@homestylesfurniture.com, 888-680-7460

# Assembly Instructions 2/8

## IMPORTANT

- Use a soft cloth between these parts and the floor.
- Do not use power tools above 8 volts to assemble.
- Do not tighten all the screws until each part is properly assembled.
- The unit must be level to work properly. Use the included adjustable levelers to level.

## STEP 1

Insert Cam Lock Screws into pre-drilled holes in Top (A) and Side Panels (B), (C), then tighten.

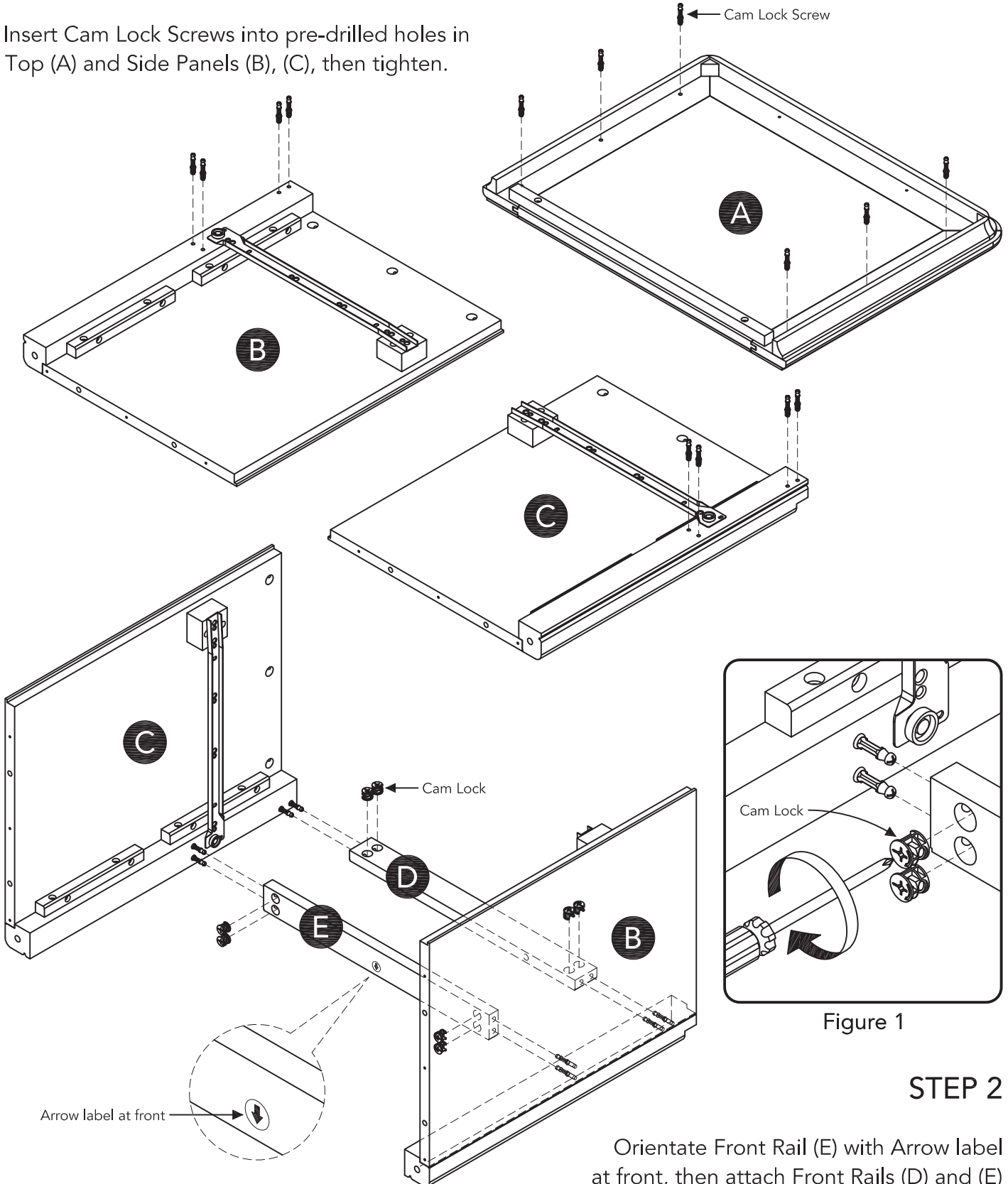


Figure 1

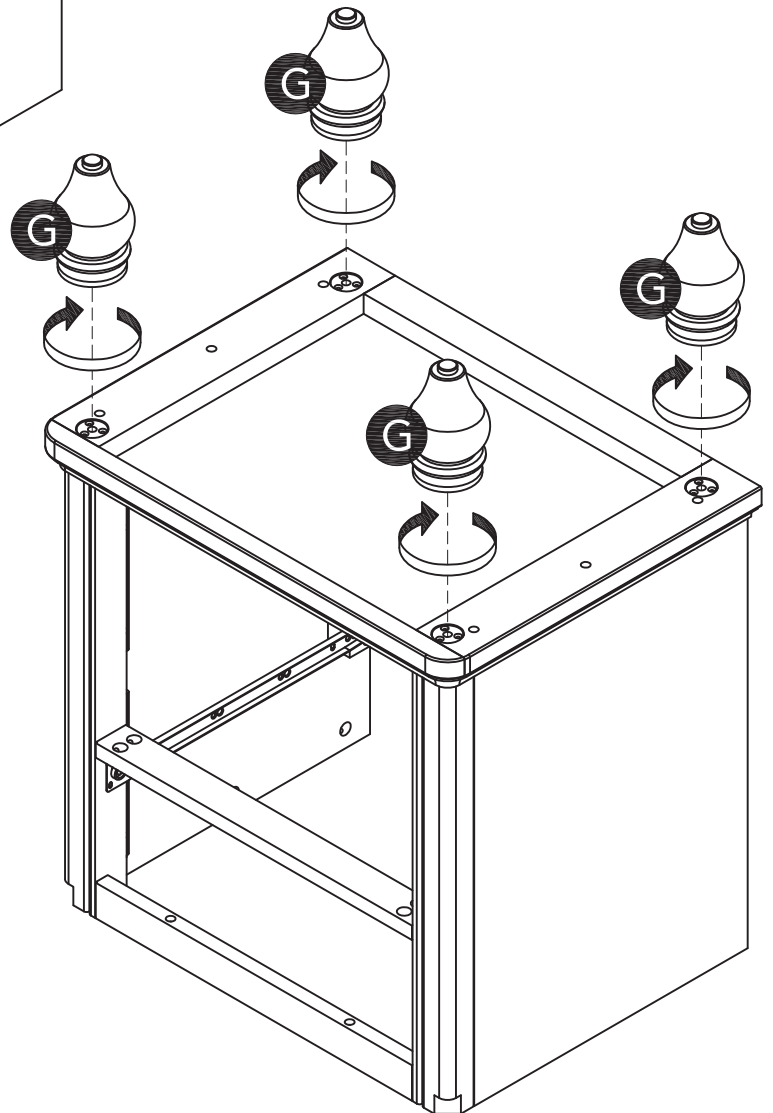
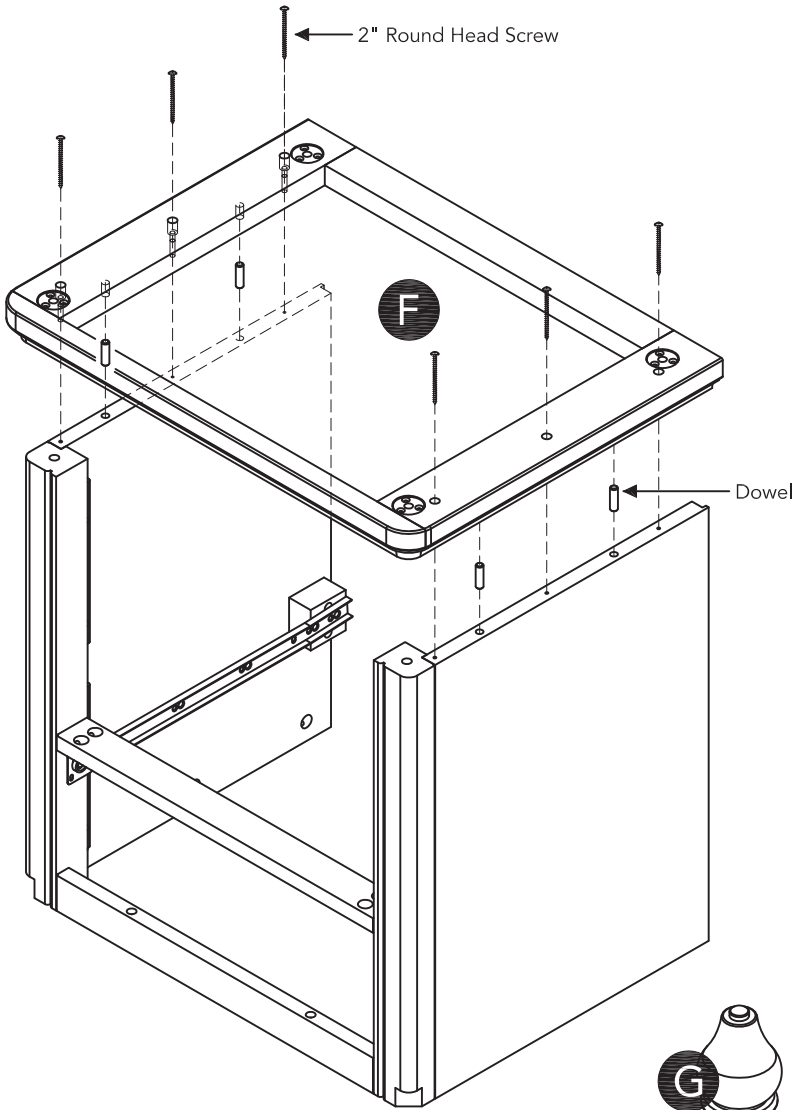
## STEP 2

Orientate Front Rail (E) with Arrow label at front, then attach Front Rails (D) and (E) to Side Panels (B) and (C) with Cam Locks. (See Figure 1)

# Assembly Instructions 3/8

## STEP 3

Attach Bottom (F) to unit with Dowels and 2" Round Head Screws.

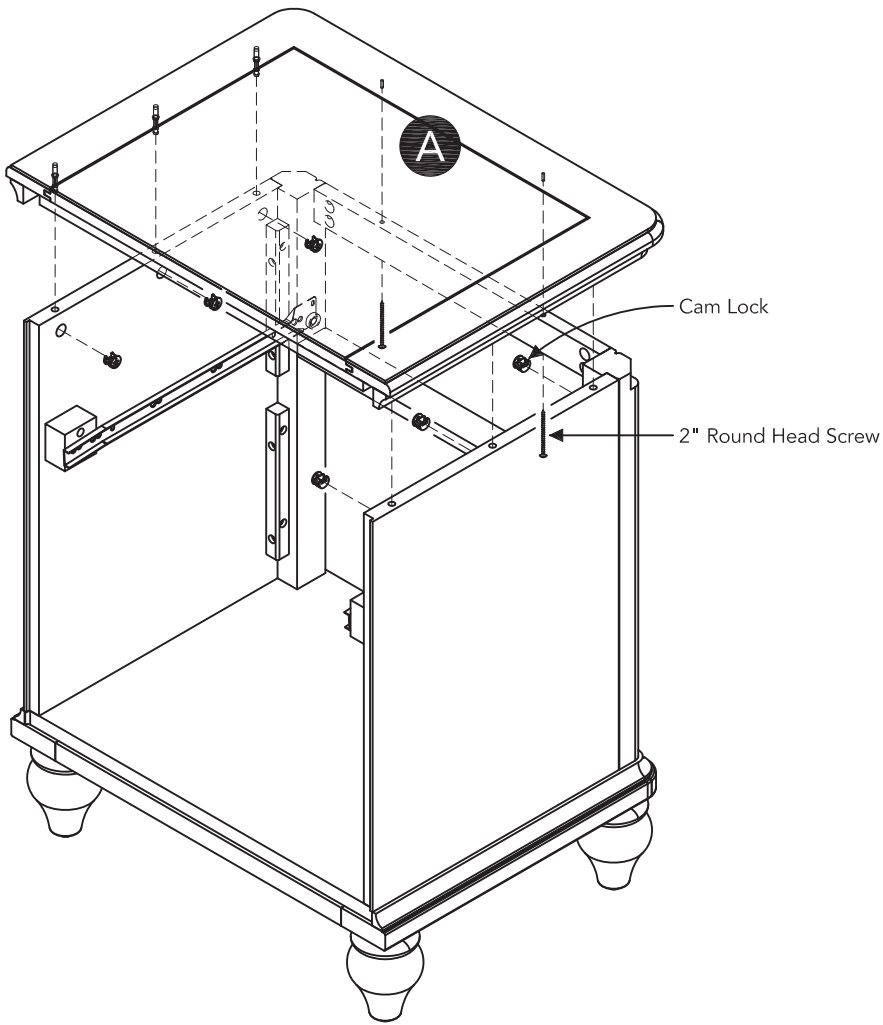


## STEP 4

Attach Feet (G) to unit, then tighten.

# Assembly Instructions 4/8

## STEP 5



## STEP 6

Level unit by adjusting the adjustable levelers on bottom of unit. (See Figure 2)

Note: Unit must be level to proceed.

Attach Back Panel (H) to unit with 1/2" Round Head Screws.

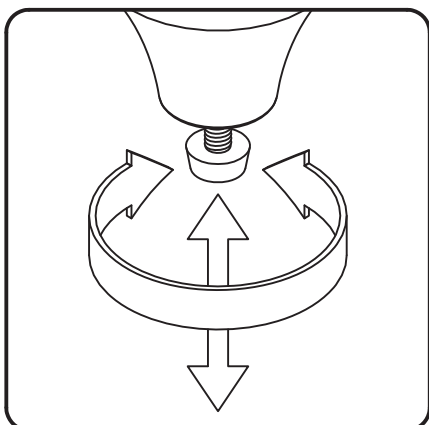
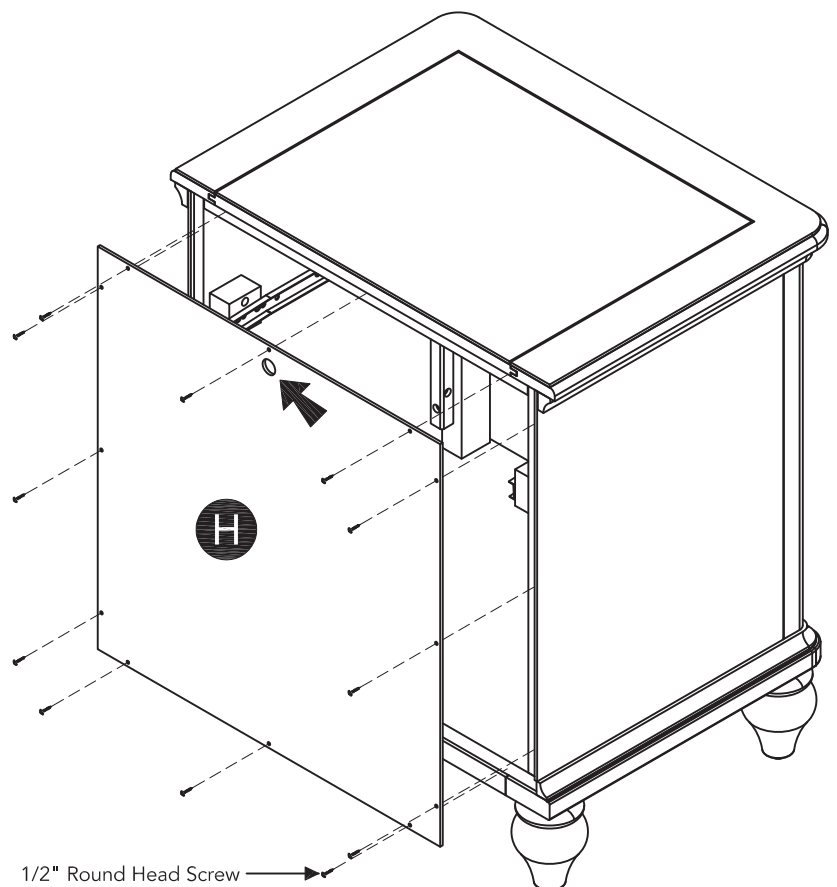


Figure 2



# Assembly Instructions 5/9

## IMPORTANT

- To help reduce the risk of the unit tipping over, the Tipover Restraint must be installed following these instructions exactly.

## STEP 7

Place unit at desired location.

Mark wall with pencil to show position of hole in Back Panel (K). (See Figure 3)

Move unit.

Drill a 3/8" hole in wall 1" below mark.

Insert Anchor into the wall hole and attach Tipover Restraint to Anchor with 1 1/2" Round Head Screw and Flat Washer. (See Figure 4)

Move unit back into place and insert Tipover Restraint into unit through hole in Back Panel (K). (See Figure 5)

Attach Tipover Restraint to unit with 1/2" Round Head Screw and Flat Washer. (See Figure 6)

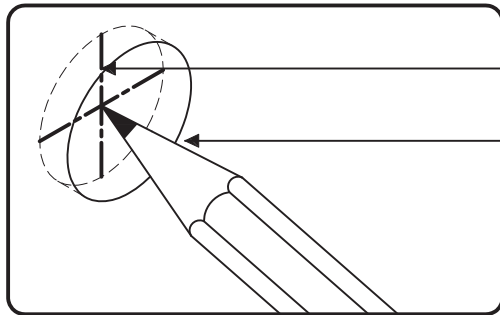
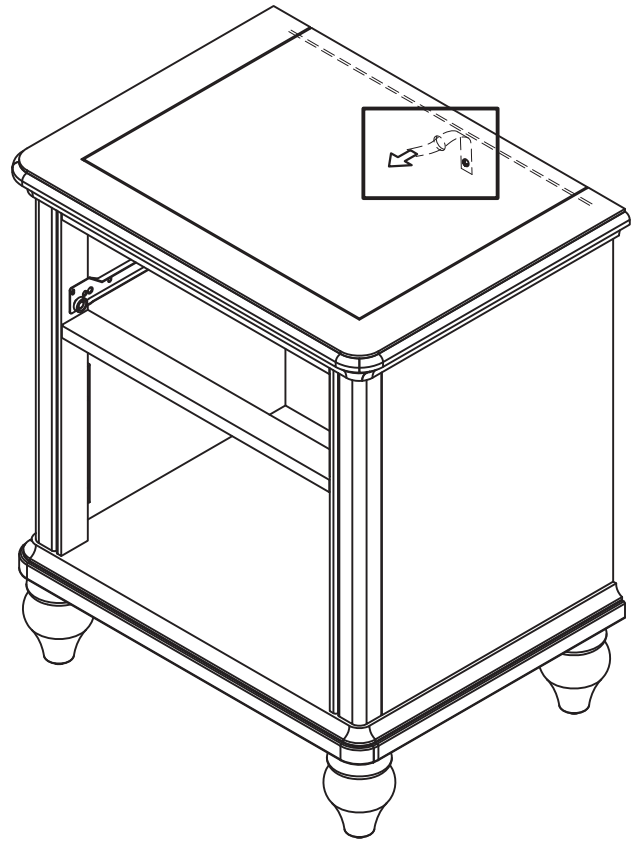


Figure 3

Pencil mark  
Hole in Back Panel (G)

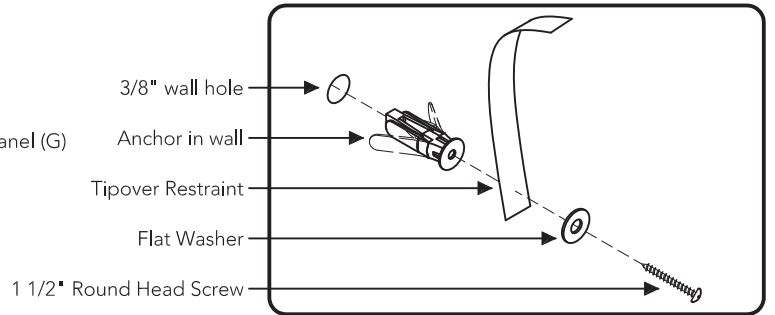


Figure 4

3/8" wall hole  
Anchor in wall  
Tipover Restraint  
Flat Washer  
1 1/2" Round Head Screw

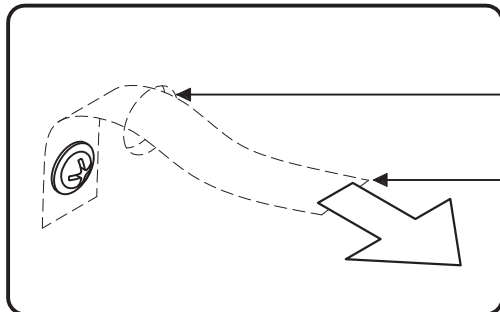


Figure 5

Hole in Back Panel (G)  
Tipover Restraint

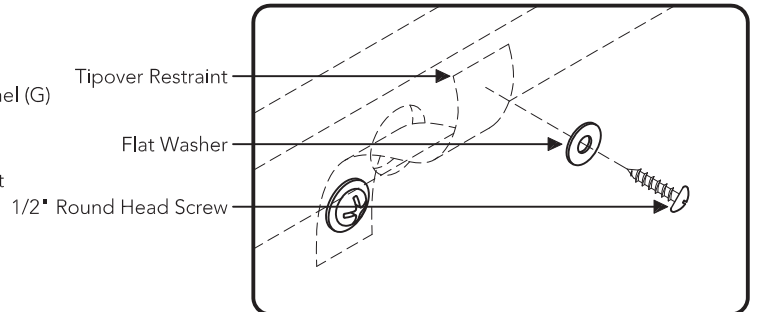
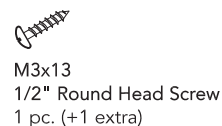
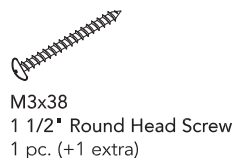
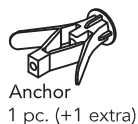


Figure 6

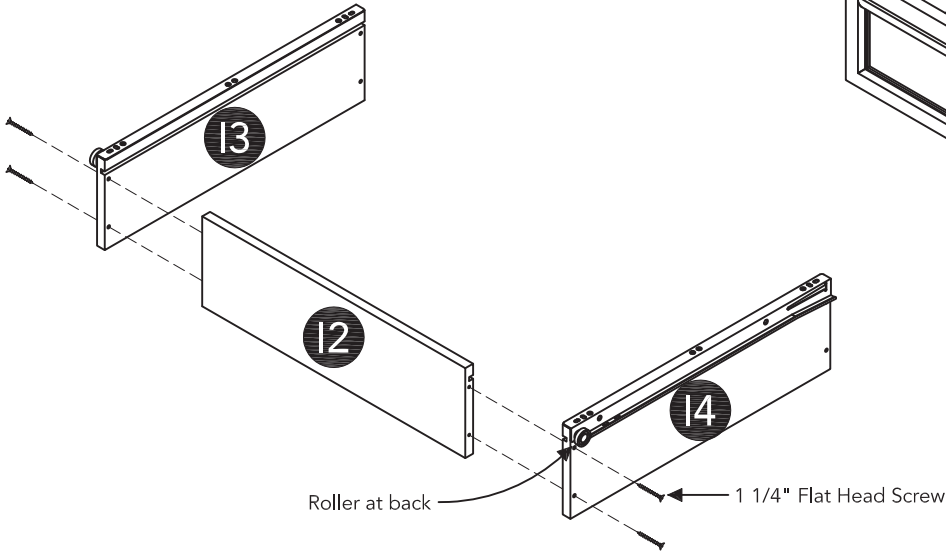
Tipover Restraint  
Flat Washer  
1/2" Round Head Screw

## Hardware List



# Assembly Instructions 6/8

## Drawer (I)



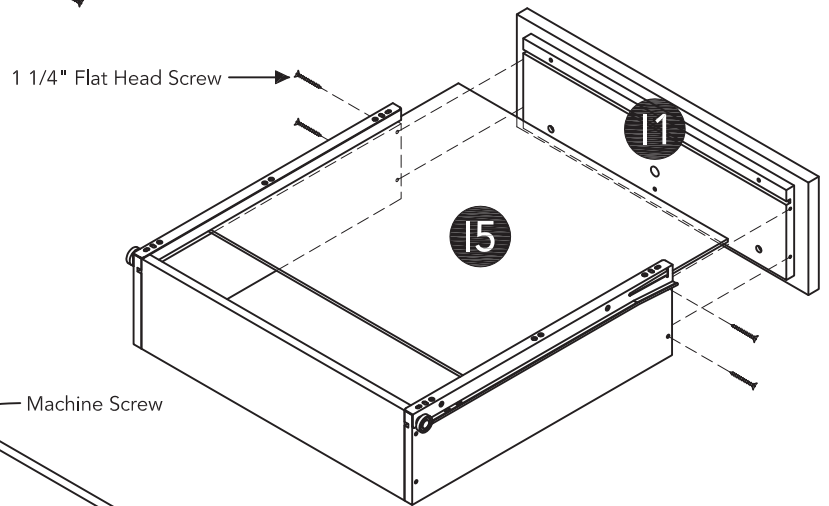
### STEP 8

Attach Drawer Sides (13) and (14) to Drawer Back (12) with 1 1/4" Flat Head Screws.

### STEP 9

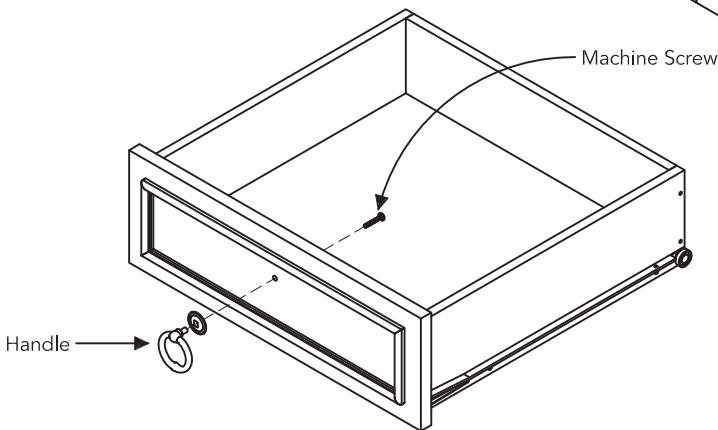
Insert Drawer Bottom (15) into groove.

Attach Drawer Front (11) to unit with 1 1/4" Flat Head Screws.



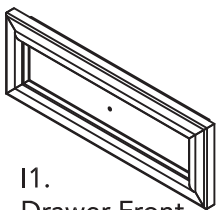
### STEP 10

Attach Handle with Machine Screw.

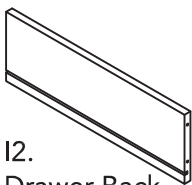


Note: Drawer assembly is not complete until 3/4" Flat Head Screws are used in a later step.

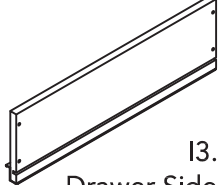
### Part List



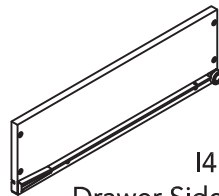
11.  
Drawer Front  
1 pc.



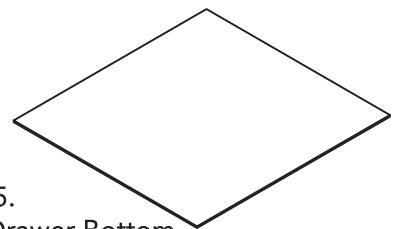
12.  
Drawer Back  
1 pc.



13.  
Drawer Side  
1 pc.



14.  
Drawer Side  
1 pc.

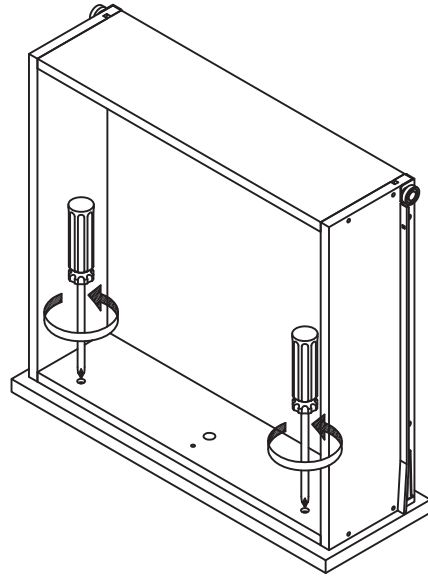
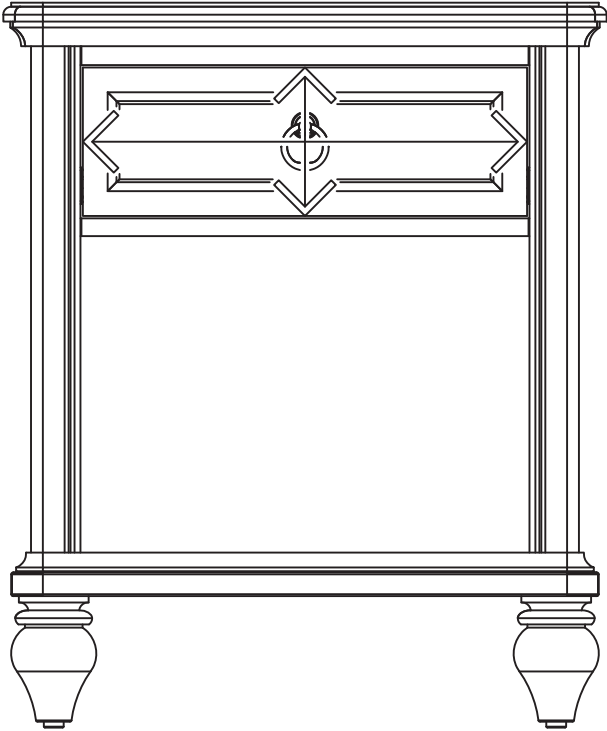


15.  
Drawer Bottom  
1 pc.

## Assembly Instructions 7/8

### STEP 11

Loosen slightly the screws pre-installed on back of drawer front.



### STEP 12

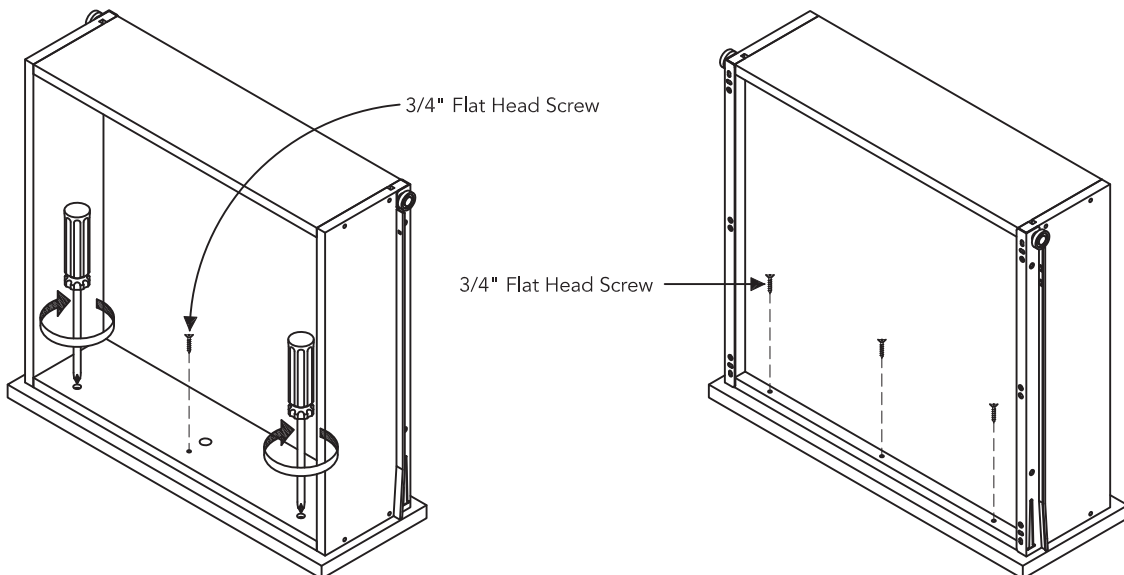
Insert drawer into unit, then adjust drawer front panel left or right and up or down until drawer gaps look proportional.

### STEP 13

Pull drawer open slowly and re-tighten screws from Step 11.

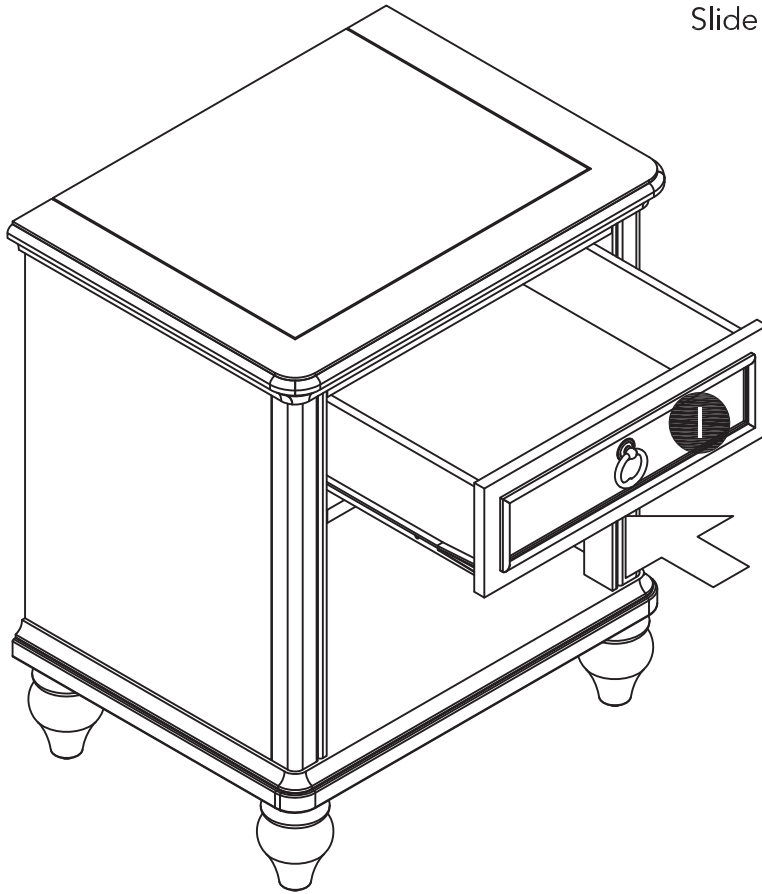
Make sure drawer front panel does not move and lock drawer front panel into position with 3/4" Flat Head Screws.

Note: These 3/4" Flat Head Screws must be installed to complete the drawer assembly.



STEP 14

Slide Drawer (I) into position.





# CARE INSTRUCTIONS

## NEVER

allow liquids to remain on furniture.  
Absorption causes parts to warp  
and split and finishes to delaminate.

## NEVER

use glass cleaners on  
finished furniture. Ammonia  
chemically attacks the finish.



Do not use power tools  
above 8 volts to assemble.

**PREVENT  
CRACKING**



Do not place  
in direct sunlight.

**PREVENT  
FADING**



Do not write  
directly on surface.

**PREVENT  
MARKING**



Do not place hot  
objects on surface.

**PREVENT  
FINISH DAMAGE**



Do not use rubber  
based placemats.

**PREVENT  
DISCOLORING**



Do not use commercial  
waxes and polishes.

**PREVENT  
YELLOWING**

## CLEAN

with a soft cloth moistened  
in lukewarm soap and water.  
Buff with a dry clean cloth.



**homestyles** will provide replacements free of charge for missing or damaged parts within 30 days of purchase. Digital images of the defective parts may be required. If the product was not purchased from an authorized retailer, **homestyles** is under no obligation to provide replacement parts. Parts are not available for fully assembled items nor are parts available for sale. Replacements for missing or damaged parts may be requested via contact info below.

**homestyles** Customer Service: [www.homestylesfurniture.com](http://www.homestylesfurniture.com),  
[servicedesk@homestylesfurniture.com](mailto:servicedesk@homestylesfurniture.com), 888-680-7460