

INSTRUCTION MANUAL



9 ft. Patio Solar Led Market Umbrella
SKU: OS3001

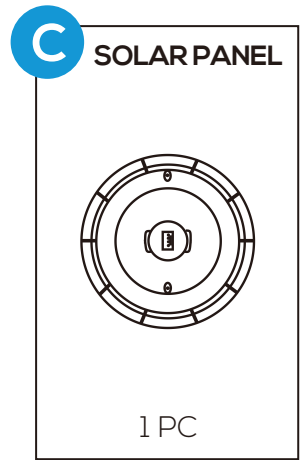
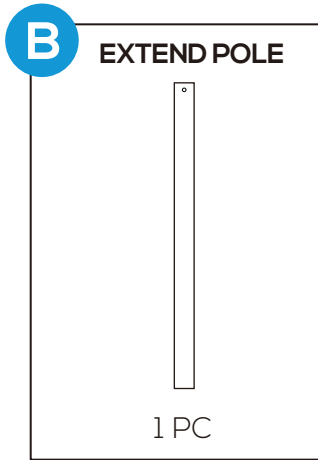
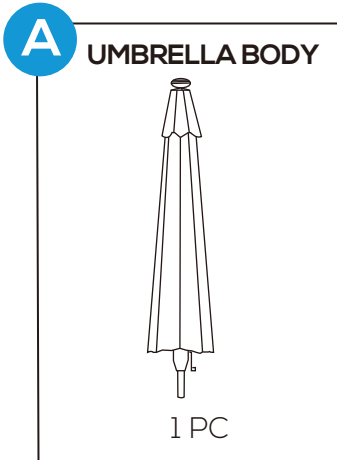
! CARE & MAINTENANCE

- △ Clean with lukewarm water, mild detergent & Sponge.
- △ Wipe down the pole with damp cloth.
- △ Store in a location when not in use.

! SAFETY PRECAUTIONS

- △ Store the umbrella in windy or stormy weather.
- △ Be aware that some parts are heavy and have sharp edges.
- △ Do not use or store this item in the proximity of open flame or flammable/combustible chemicals.
- △ Do not allow umbrella to flap in the wind as it may cause damage.
- △ When adjusting umbrella, make sure no person or item is close to umbrella to avoid injury or damage.

PARTS



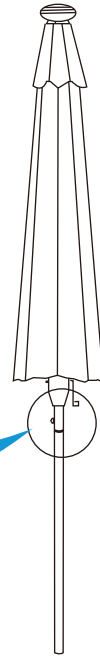
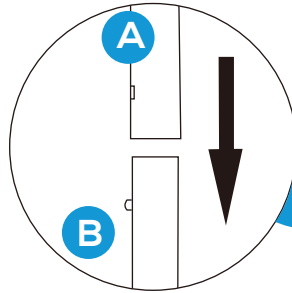
PRODUCT ASSEMBLY

1

Check the status of umbrella before your assembly.

Plug part B Extend Pole carefully into part A Umbrella Body.

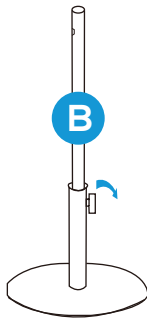
△ Pay attention that the spring bracket on the end of Extend Pole is fixed into the small hole at the end of part A Umbrella Pole after you hear "KA" sound.



2

Insert part B the Extend Pole into the Umbrella Base or the fixing tube on the Table.

Tighten the bolt to fix the Extend pole.

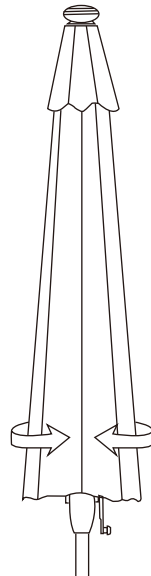


3

Loose the umbrella cloth belt before you open the umbrella.

Solar Panel is assembled on top of the umbrella.

Do not turn the umbrella uphead down to avoid damage to the solar panel.



PRODUCT ASSEMBLY

4

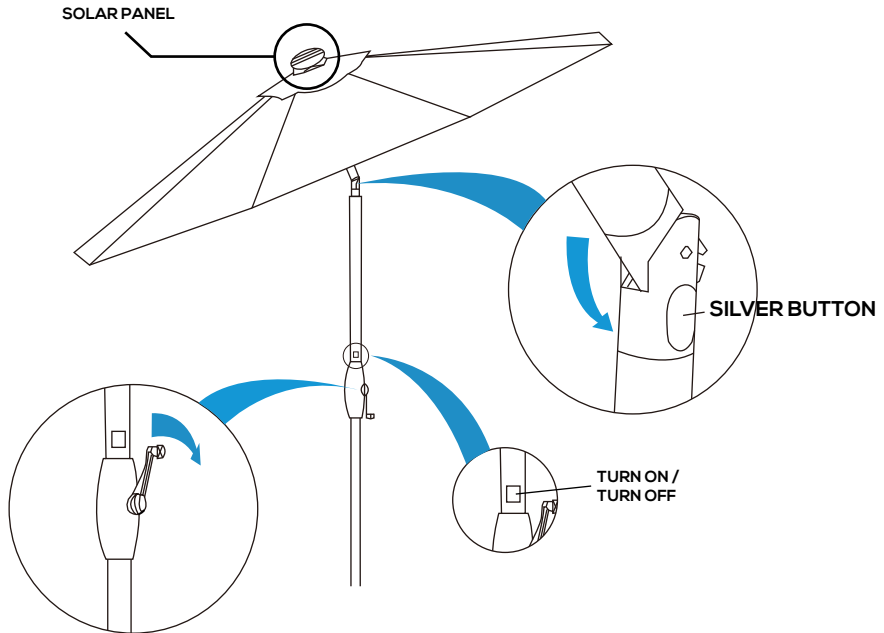
Turn the crank clockwise to open the umbrella while turn anti-clockwise to close the umbrella.

The angle of this umbrella can be easily adjusted by hand for more sunshade area.

Push the silver button shown as below and tilt the umbrella to a max degree of about 30°.

Press the button on the pole to turn on/off the LED light.

△ Hold the umbrella when tilting to avoid any injury or damage.



ATTENTION:

- You must charge batteries before first use.
- Please note that batteries can discharge if they are left unused or uncharged for a long period of time. We recommend you charge your solar umbrella for at least 8 hours in direct sunlight before the first use. Failure to charge the batteries will result in premature dimming of the lights in your new solar umbrella.

MAKE SURE THE LIGHT SWITCH IS IN THE OFF POSITION WHEN CHARGING.

- For everyday normal use, turn on the light switch at nighttime when you want to use the solar light and turn off the light switch after every use.

MAKE SURE THE LIGHT SWITCH IS IN THE OFF POSITION IN THE DAYTIME FOR THE SOLAR PANEL TO RECHARGE THE BATTERIES.