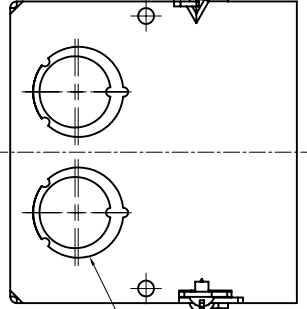
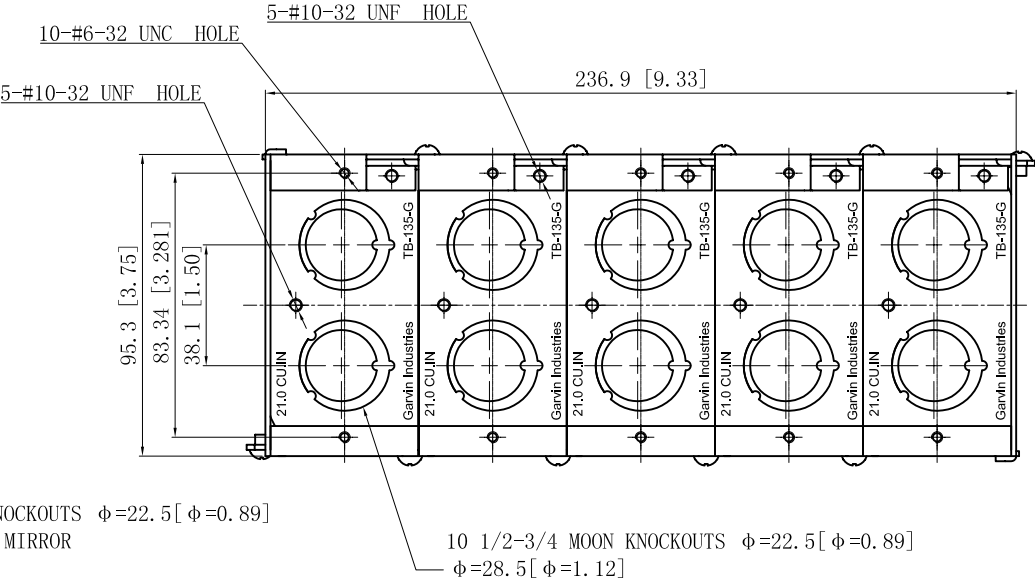
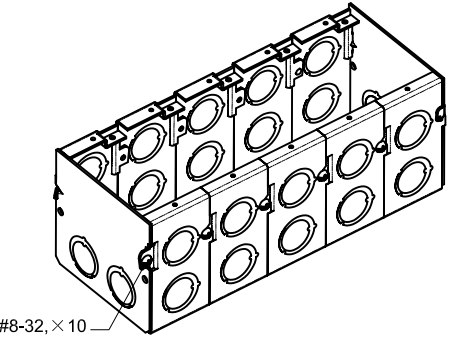
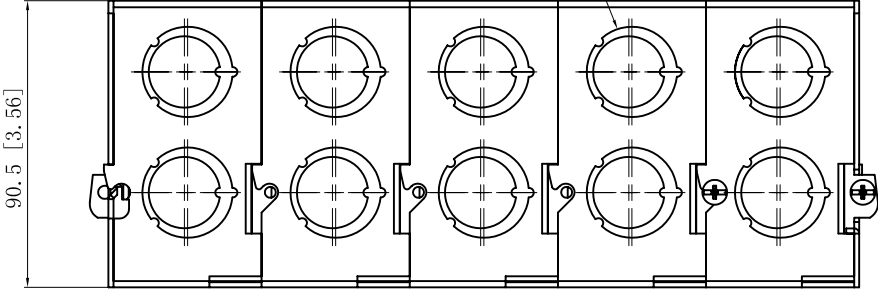


SIDES	BOTTOM
24 1/2"-3/4" MOON KNOCKOUTS	10 1/2"-3/4" MOON KNOCKOUTS
2 PCS 8-32x1/4 Screws Installed	
Material: Steel-0.0625"-G60 Galvanized	

20 1/2-3/4 MOON KNOCKOUTS $\phi=22.5 [\phi=0.89]$
 $\phi=28.5 [\phi=1.12]$ MIRROR



4 1/2-3/4 MOON KNOCKOUTS $\phi=22.5 [\phi=0.89]$
 $\phi=28.5 [\phi=1.12]$ MIRROR

10 1/2-3/4 MOON KNOCKOUTS $\phi=22.5 [\phi=0.89]$
 $\phi=28.5 [\phi=1.12]$

This data sheet is for reference only .GARVIN INDUSTRIES reserves the right to make changes to the design without prior notice.

DESCRIPTION
TRADE REFERENCE TERMS

STANDARD PACKING
1 PCS

GARVIN INDUSTRIES		
TITLE GANGABLE MASONRY BOX 3-1/2" DEEP		
SIZE A4	DWG NO. TB-535-G	REV B
DATA SHEET		