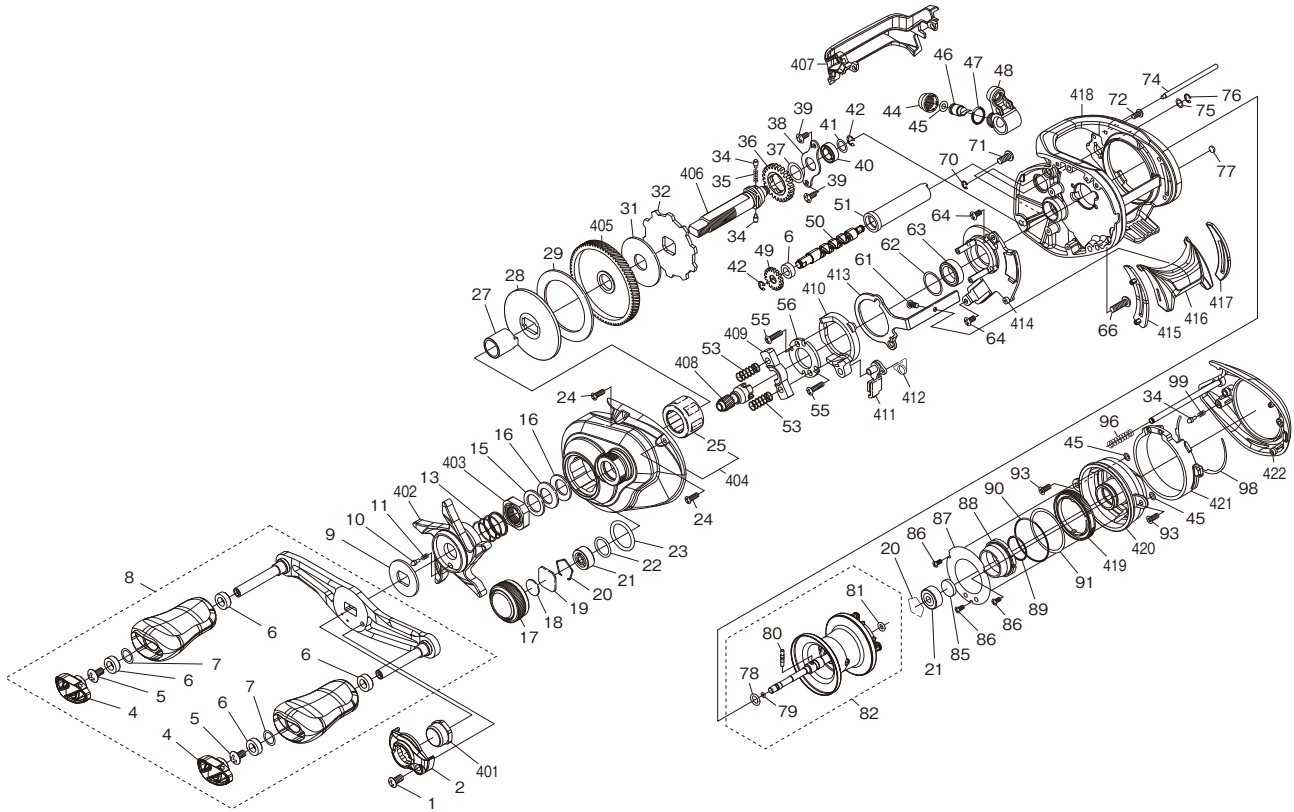


# SHIMANO

## SLX

## SLX71XGA



(51RL746A41X)

| #  | Part No. | Description              | #  | Part No. | Description               | #   | Part No. | Description            |
|----|----------|--------------------------|----|----------|---------------------------|-----|----------|------------------------|
| 1  | 101VV    | Screw                    | 41 | 10C47    | Washer                    | 89  | 10LA8    | O Ring                 |
| 2  | 10Q5T    | Handle Nut Plate         | 42 | 105NK    | E Lock                    | 90  | 10CG1    | O Ring                 |
| 4  | 1027R    | Handle Knob Seal         | 44 | 10FJB    | Pawl Cap                  | 91  | 10RHW    | Washer                 |
| 5  | 103E9    | Screw                    | 45 | 10CFU    | Washer                    | 93  | 100UL    | Screw                  |
| 6  | 10PXZ    | Bushing                  | 46 | 10BHQ    | Worm Shaft Pin            | 96  | 10KNH    | Spring                 |
| 7  | 104FH    | Washer                   | 47 | 108WQ    | O Ring                    | 98  | 100ND    | Washer                 |
| 8  | 13ZYD    | Handle Assembly          | 48 | 10DUG    | Line Guide Assembly       | 99  | 10GQZ    | Click Spring           |
| 9  | 10J22    | Star Drag Click Plate    | 49 | 10SRL    | Idle Gear C               | 401 | 10049    | Handle Nut             |
| 10 | 10MFC    | Click Pin                | 50 | 13ZY5    | Worm Shaft                | 402 | 100DS    | Star Drag              |
| 11 | 10BT2    | Click Spring             | 51 | 100UF    | Level Wind Guard          | 403 | 10A3U    | Star Drag Nut          |
| 13 | 10A70    | Star Drag Spring         | 53 | 100U9    | Yoke Spring               | 404 | 145GE    | A Side Plate Assembly  |
| 15 | 10J1N    | Star Drag Spacer         | 55 | 10LV0    | Screw                     | 405 | 10TMZ    | Drive Gear             |
| 16 | 109F5    | Washer                   | 56 | 100US    | Clutch Cam Retainer       | 406 | 100VZ    | Drive Shaft            |
| 17 | 10050    | Cast Control Cap         | 61 | 10LF4    | Screw                     | 407 | 10RMX    | Level Wind Protector   |
| 18 | 10896    | Cast Control Spacer B    | 62 | 10190    | Washer                    | 408 | 100W4    | Pinion Gear            |
| 19 | 1085F    | Cast Control Spacer A    | 63 | 10EX6    | Ball Bearing              | 409 | 10TFA    | Yoke                   |
| 20 | 1054D    | Bearing Retainer         | 64 | 10LCT    | Screw                     | 410 | 100W0    | Clutch Cam             |
| 21 | 105C0    | Ball Bearing             | 66 | 100UV    | Screw                     | 411 | 10MQM    | Clutch Pawl Assembly   |
| 22 | 101GT    | O Ring                   | 70 | 105NB    | E Lock                    | 412 | 10TMC    | Clutch Pawl Spring     |
| 23 | 10R22    | O Ring                   | 71 | 100UU    | Screw                     | 413 | 100W5    | Clutch Plate           |
| 24 | 10LCY    | Screw                    | 72 | 100U4    | Screw                     | 414 | 10DJ8    | Clutch Guard Assembly  |
| 25 | 10F5C    | Roller Clutch Bearing    | 74 | 100UT    | Stabilizer Bar            | 415 | 10TFB    | Clutch Bar Guide B     |
| 27 | 100UC    | Roller Clutch Inner Tube | 75 | 10FJZ    | Washer                    | 416 | 10TF9    | Clutch Button          |
| 28 | 10D3H    | Key Washer               | 76 | 105NC    | E Lock                    | 417 | 100W3    | Clutch Bar Guide A     |
| 29 | 106XT    | Drag Washer              | 77 | 108PY    | Washer                    | 418 | 13ZCY    | Frame                  |
| 31 | 10CHF    | Drag Washer              | 78 | 10TM7    | O Ring                    | 419 | 10055    | Brake Dial             |
| 32 | 10D73    | Anti-Reverse Ratchet     | 79 | 100BH    | O Ring                    | 420 | 145GG    | Dial Case              |
| 34 | 10HJF    | Idle Gear Pin            | 80 | 10P67    | Spool Clutch Pin          | 421 | 10T4Q    | B Side Plate Cam Lever |
| 35 | 10JDY    | Idle Gear Spring         | 81 | 10EZ7    | O Ring                    | 422 | 145GH    | B Side Plate Assembly  |
| 36 | 101K8    | Idle Gear A              | 82 | 13ZYE    | Spool Assembly            |     |          |                        |
| 37 | 108WU    | O Ring                   | 85 | 10EX5    | Bearing Spacer            |     |          |                        |
| 38 | 109T1    | Drive Shaft Retainer     | 86 | 10E7R    | Screw                     |     |          |                        |
| 39 | 10E23    | Screw                    | 87 | 100HC    | Brake Dial Retainer Plate |     |          |                        |
| 40 | 105BL    | Ball Bearing             | 88 | 10E6U    | Brake Ring Gear           |     |          |                        |

Please note that the number of adjusting washers may not be the same as shown in the exploded views.  
(Adjustment will vary with each individual product.)

(240205)\_002