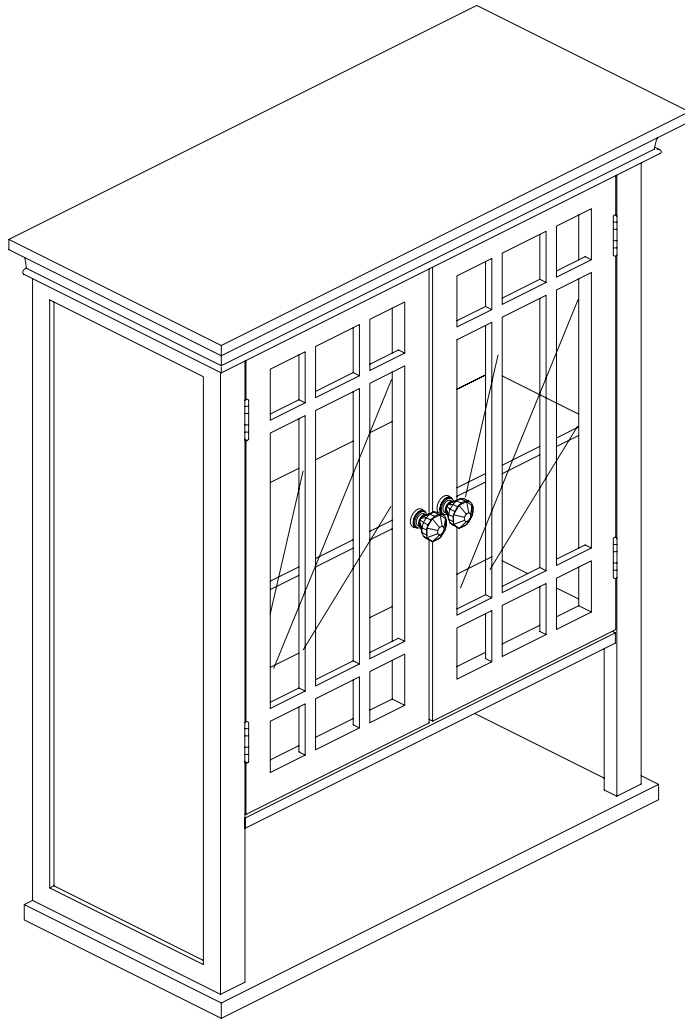


Assembly Instructions

Wall Cabinet With 2 Doors



Please provide the following information when contacting for parts or questions: the name of the company you purchased from, the tracking number of the original package, and the original order date.

We offer free replacements for 1 year (purchase verification required). This replacement policy does not cover used/previously returned product or products sold by unauthorized third party vendors.

ASSEMBLY INSTRUCTIONS - IMPORTANT

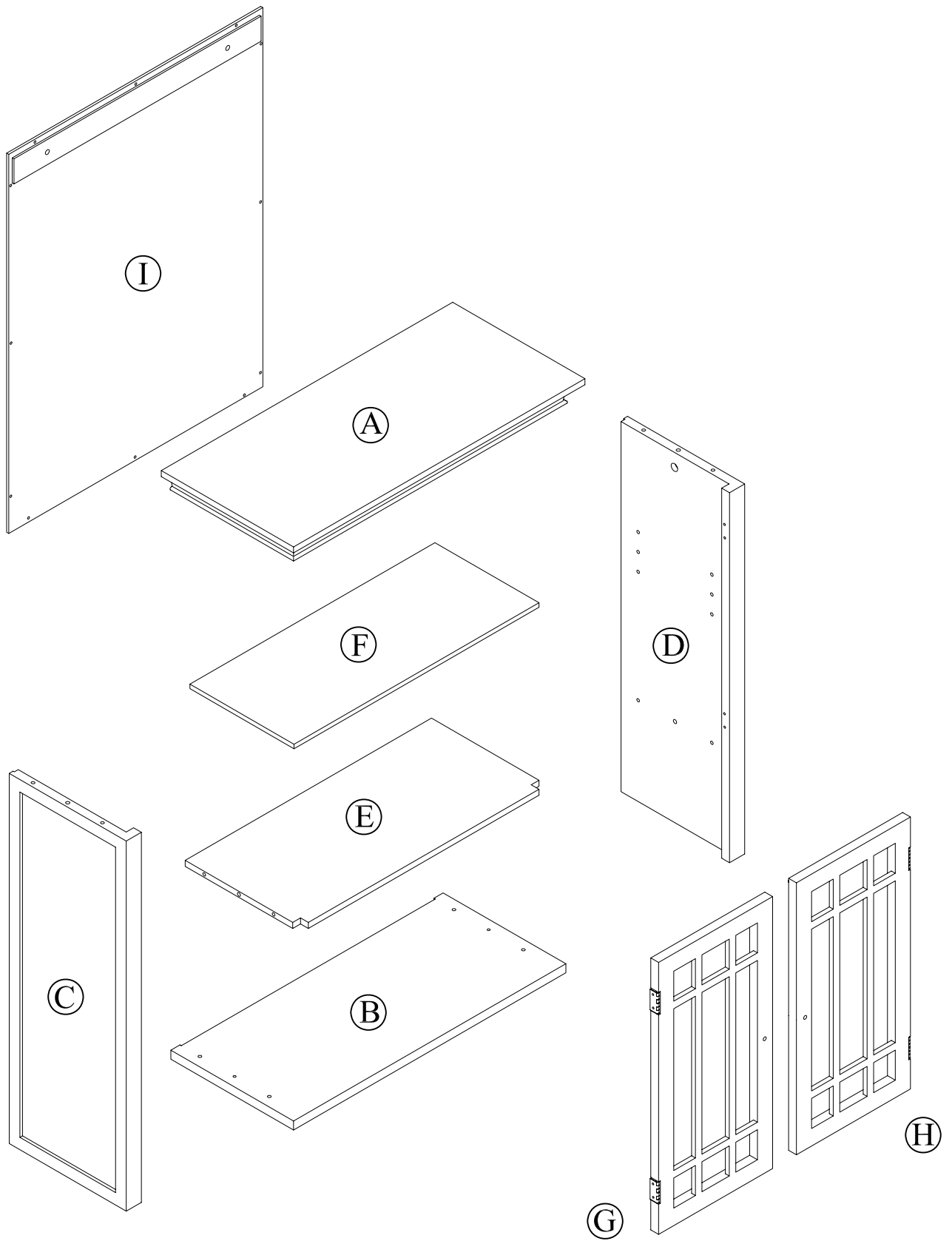
Carefully unpack & identify each component before attempting to assemble. Refer to parts list. Please take care when assembling the unit and always set the parts on a clean, soft surface. If you require any assistance with assembly, parts, please call the company you place order with or please email to: service@eleganthf.net.

INSTRUCCIONES PARA ARMAR - IMPORTANTE :


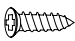
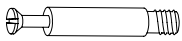
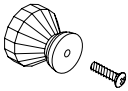




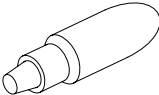

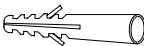
Desempaque cuidadosamente e identifique cada componente antes de tratar de empezar su ensambladura. Verifique la lista de partes. Por favor tenga cuidado cuando arme la unidad y siempre coloque las piezas sobre una superficie plana, suave y limpia. Si necesita ayuda con el armado, envíe un correo electrónico a service@eleganthf.net.

DIRECTIVES DE MONTAGE-IMPORTANT:

Avant de commencer l'assemblage, déballez délicatement toutes les pièces et repérez-les sur la liste des pièces. Procédez avec soins durant l'assemblage et posez toujours les pièces sur une surface propre, douce et lisse. Si vous plait e-mail à service@eleganthf.net.



HARDWARE & TOOLS

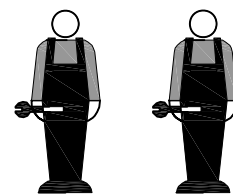
PART	FIGURE	DESCRIPTION	QTY	PART	FIGURE	DESCRIPTION	QTY
1		WOODEN DOWEL	12PCS	6	 ø3*12 mm	SCREW	8PCS
2		PIN	4PCS	7		KNOB & BOLT	2SETS
3		CAM LOCK	4PCS	8	 ø3*12 mm	SCREW	12PCS
4		CAM LOCK CAP	4PCS	9		SHELF PIN	4PCS
5		GLUE	1PC	10	 ø4*38mm	SCREW	4PCS
				11		ANCHOR	2PCS

TOOL NEEDED:



**PHILIPS SCREWDRIVER REQUIRED
- NOT INCLUDED**

SUGGESTION:



TWO PEOPLE FOR ASSEMBLING



WARNINGS:

1. DO NOT LET ANY SHARP OBJECTS TOUCH OR RUB THE SURFACE OF THE PRODUCT.
2. WHEN ASSEMBLING, DO NOT LET CHILDREN PLAY AROUND THE WORKING AREA.
3. PLEASE CONFIRM ALL PARTS ARE CORRECT BEFORE STARTING THE ASSEMBLY PROCESS.
4. DO NOT TIGHTEN ALL BOLTS AND SCREWS COMPLETELY UNTIL THE ENTIRE UNIT HAS BEEN ASSEMBLED AND SET UP.

1

1



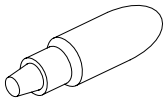
8pcs

2

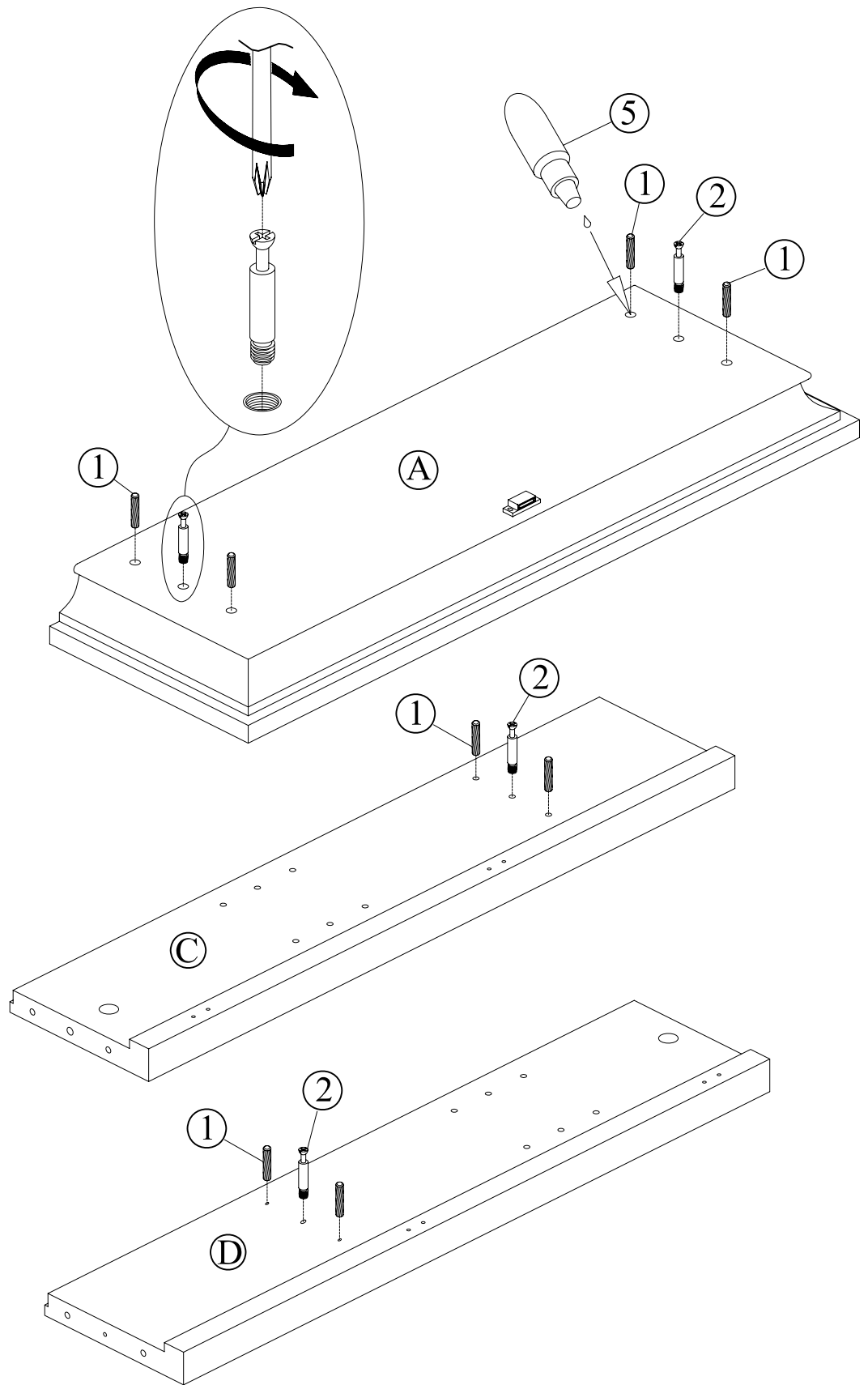


4pcs

5



1pc



STEP 1:

1. Fill dowel hole half way with Glue #5.

Wooden Dowel #1 may push out excess glue-wipe off excess glue .

2. Insert the Wooden Dowel #1 and Pin #2 into the hole on Top Shelf A.

3. Insert the Wooden Dowel #1 and Pin #2 into the hole on Side Panel-Left C.

4. Insert the Wooden Dowel #1 and Pin #2 into the hole on Side Panel-Left D.

5. Tighten all of the above Pin #2.

2

3

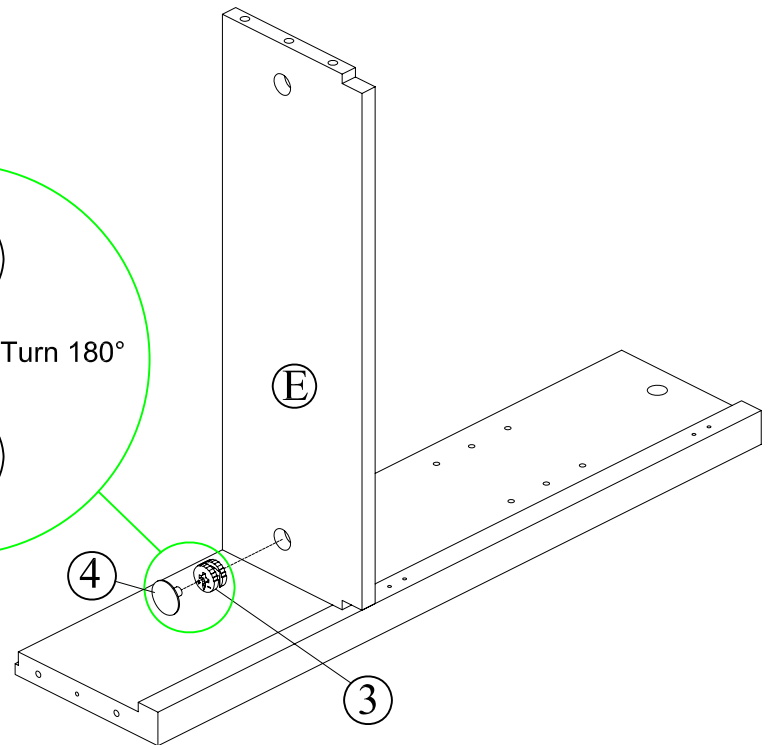
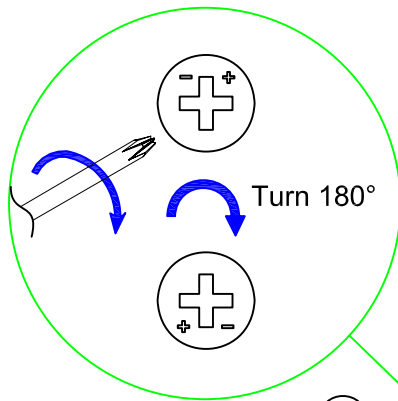
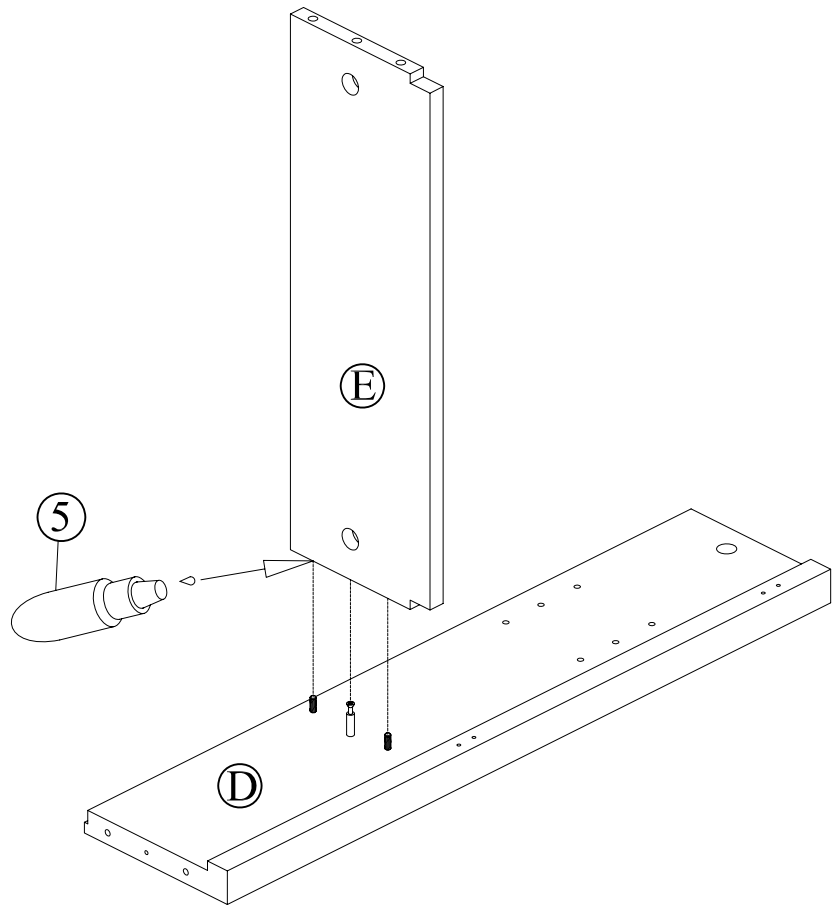


1pc

4



1pc



STEP 2:

1. Fill dowel hole half way with Glue #5.
Wooden Dowel #1 may push out excess glue-wipe off excess glue .
2. Connect the Fixed Level Shelf E and the Side Panel-Right D with the Wooden Dowel #1 and Pin #2.
3. Insert the Cam Lock #3 into the hole on Fixed Level Shelf E.
4. Tighten the Cam Lock #3 to the Pin #2, insert the Cam Lock Cap #4 when finish.

3

3

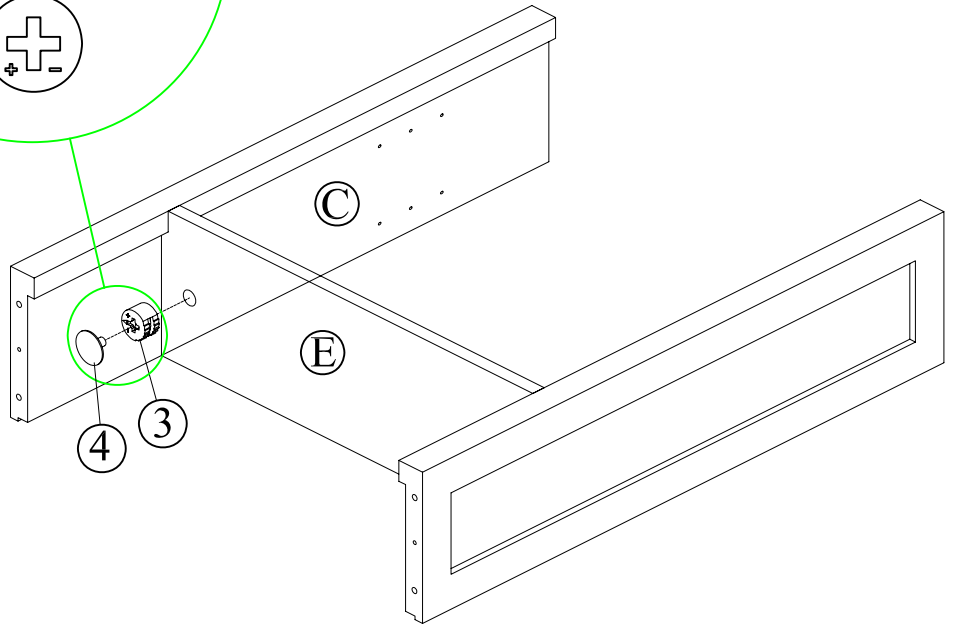
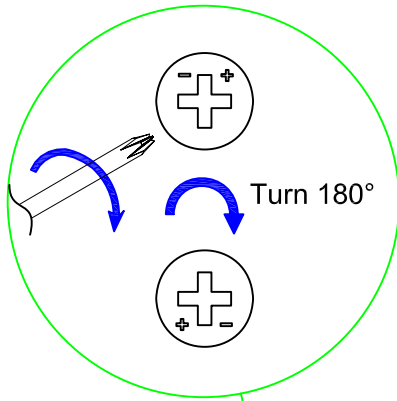
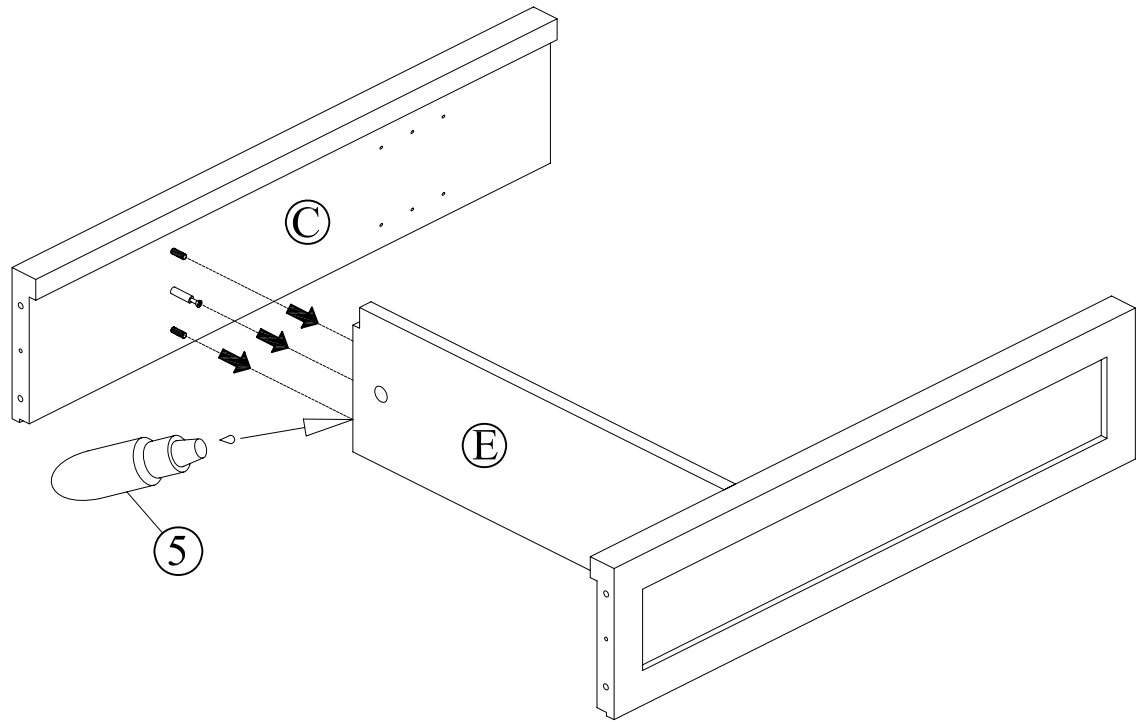


1pc

4



1pc



STEP 3:

1. Fill dowel hole half way with Glue #5.
Wooden Dowel #1 may push out excess glue-wipe off excess glue .
2. Connect the Fixed Level Shelf E and the Side Panel-Left C with the Wooden Dowel #1 and Pin #2.
3. Insert the Cam Lock #3 into the hole on Fixed Level Shelf E.
4. Tighten the Cam Lock #3 to the Pin #2, insert the Cam Lock Cap #4 when finish.

4

3

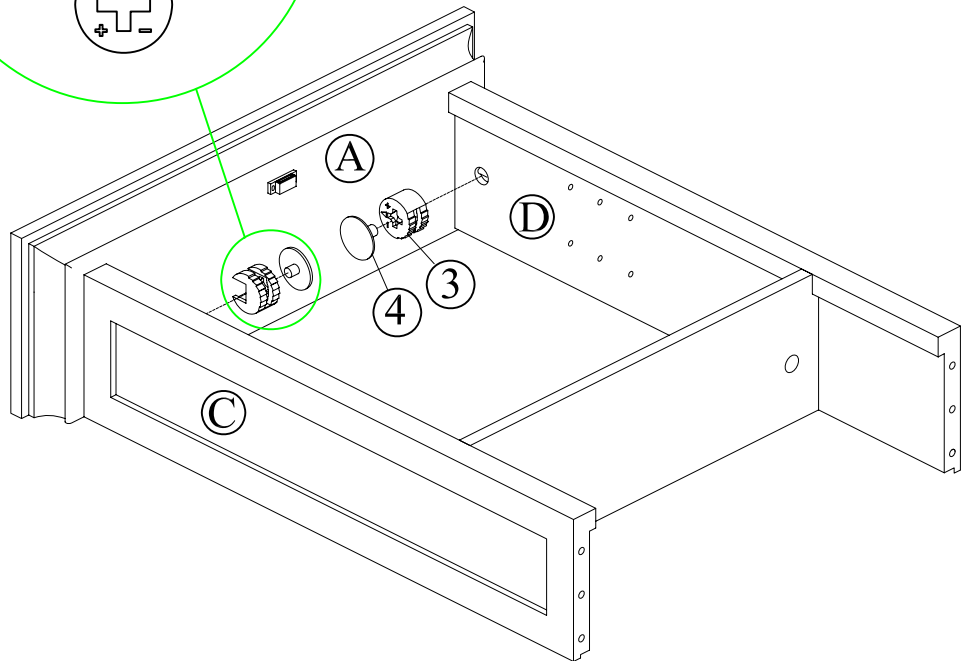
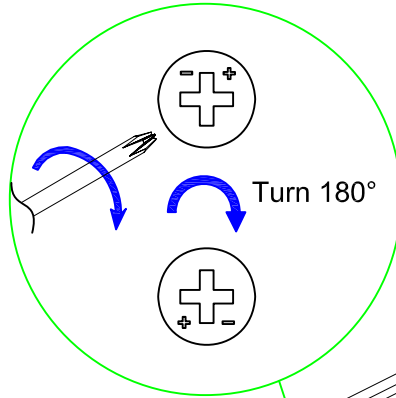
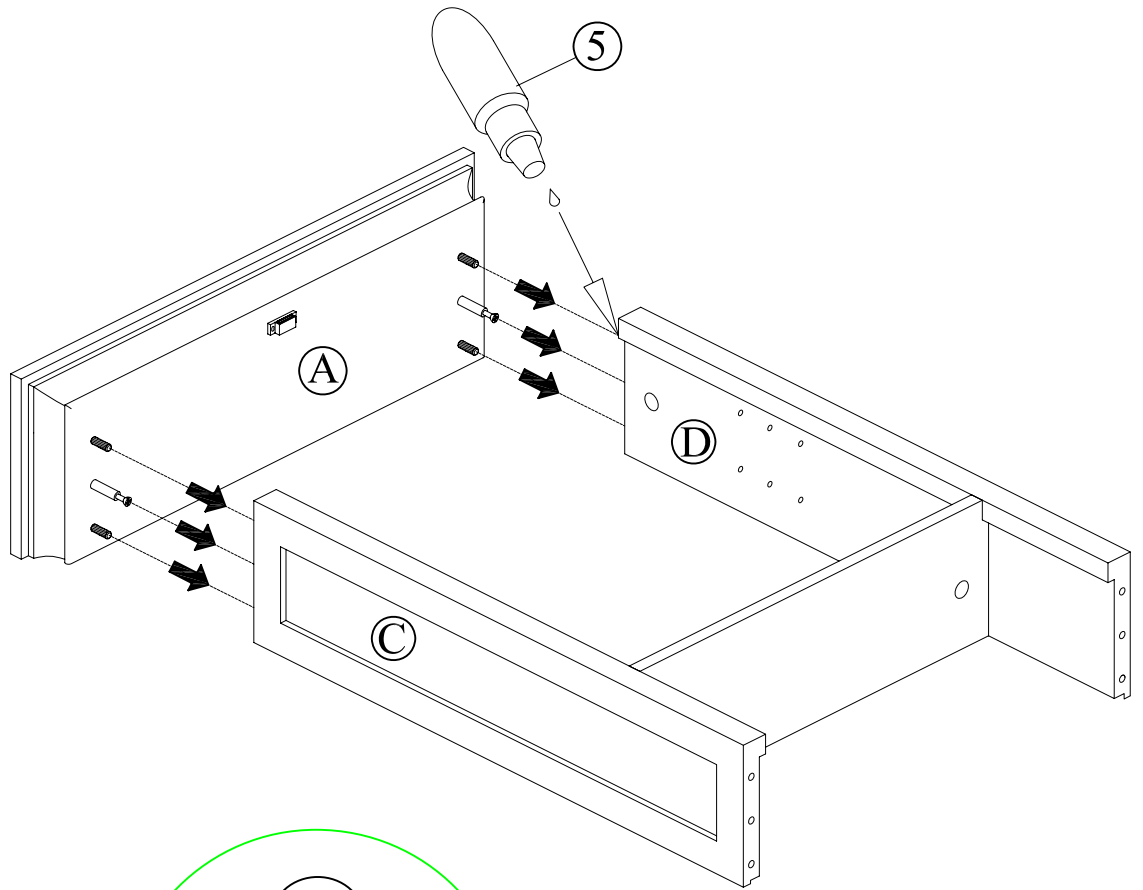


2pcs

4



2pcs



STEP 4:

1. Fill dowel hole half way with Glue #5.
Wooden Dowel #1 may push out excess glue-wipe off excess glue .
2. Connect the Top Shelf A and the Side Panel-Left C & the Side Panel-Right D with the Wooden Dowel #1 and Pin #2.
3. Insert the Cam Lock #3 into the hole on the Side Panel-Left C and the Side Panel-Right D.
4. Tighten the Cam Lock #3 to the Pin #2, insert the Cam Lock Cap #4 when finish.

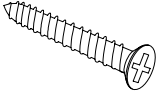
5

1

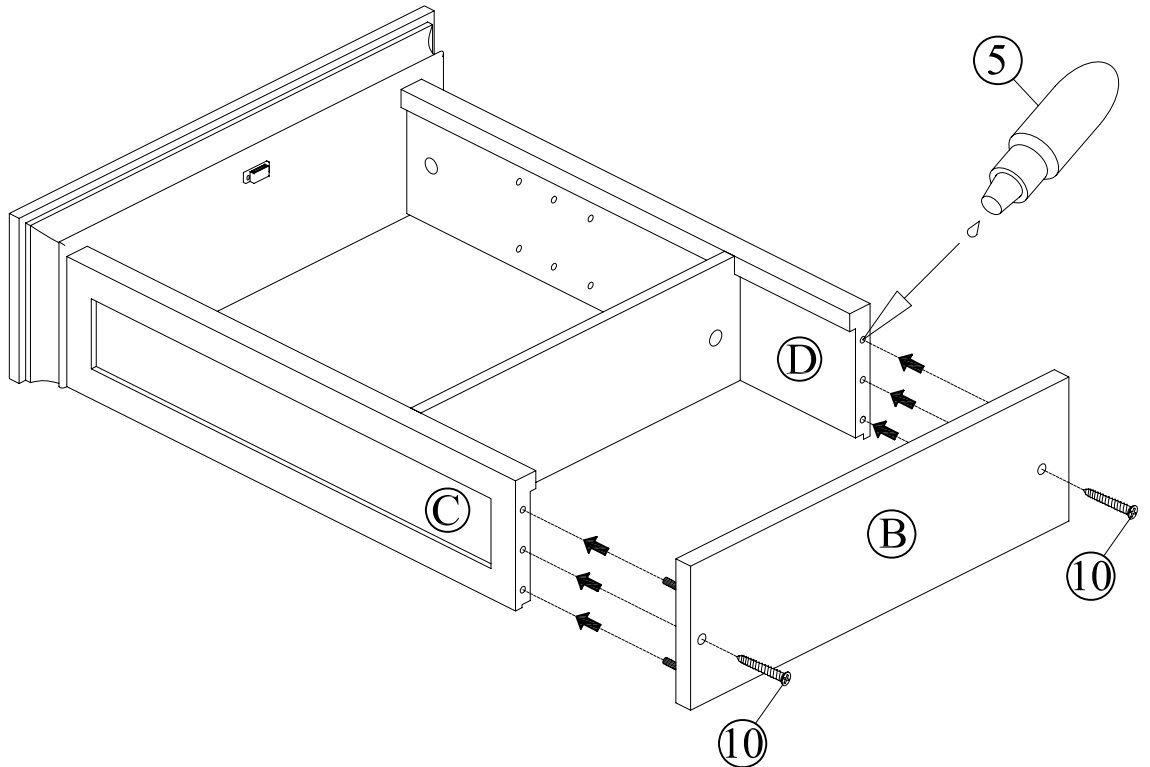
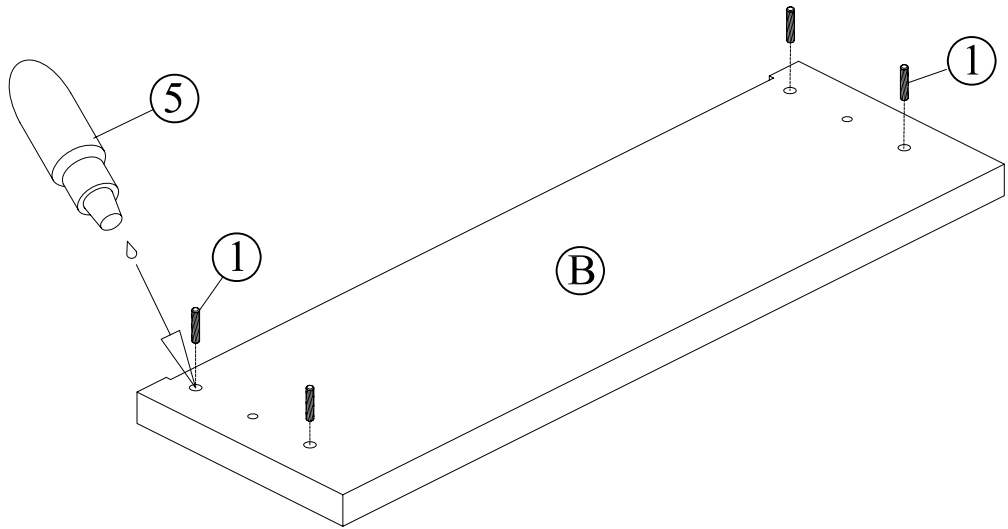


4pcs

10



2pcs

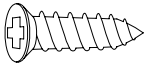


STEP 5:

1. Fill dowel hole half way with Glue #5.
Wooden Dowel #1 may push out excess glue-wipe off excess glue .
2. Insert the Wooden Dowel #1 into the hole on Bottom Shelf B.
3. Connect the Bottom Shelf B and the Side Panel-Left C & the Side Panel-Right D with the Wooden Dowel #1.
4. Insert the Screw #10 into the hole on the Bottom Shelf B.
5. Tighten the Screw #10.

6

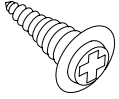
6



Ø3*12 mm

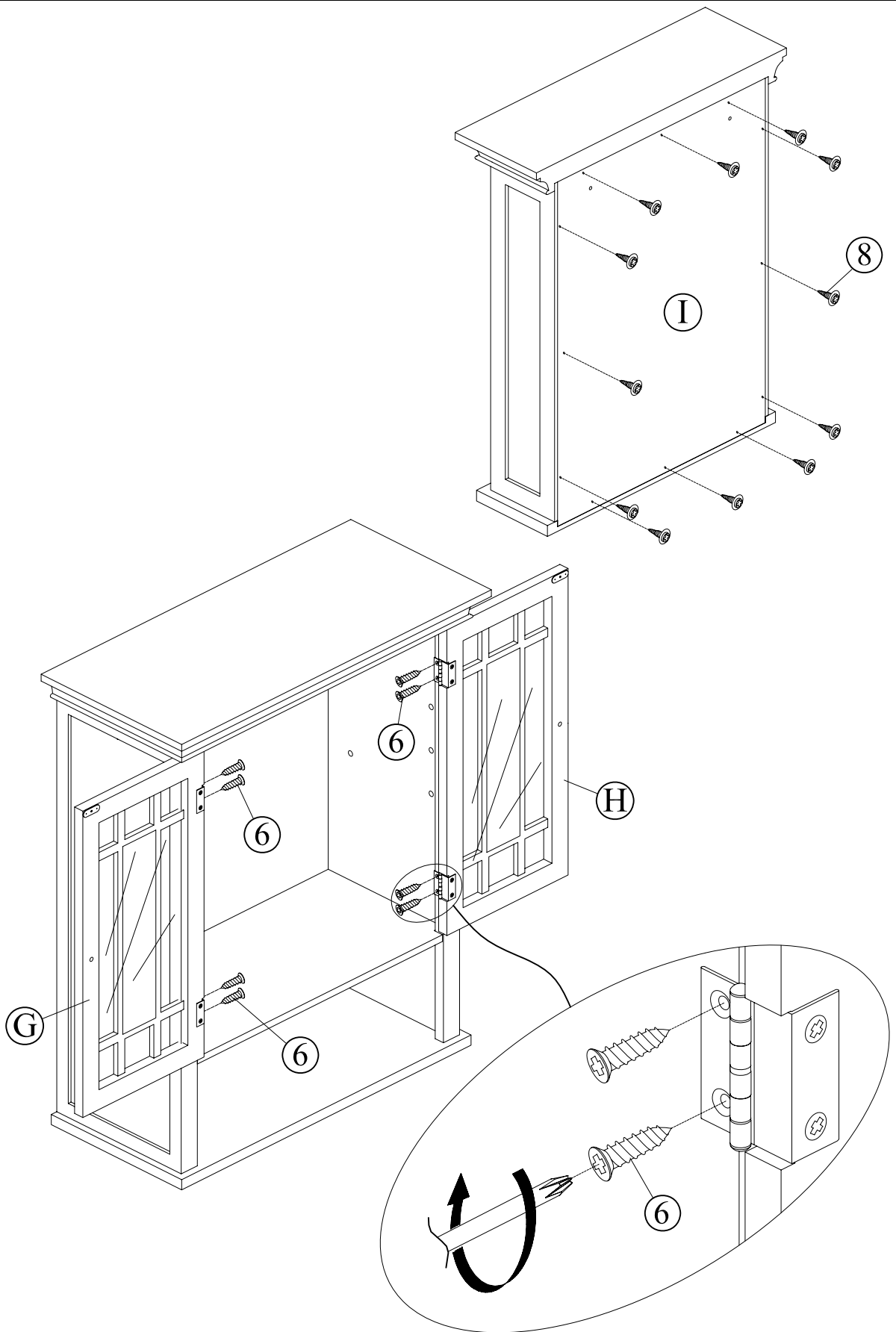
8pcs

8



Ø3*12 mm

12pcs

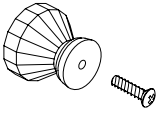


STEP 6:

1. Connect the Rear Panel I and the main body with the Screw #8.
2. Tighten the Screw #8.
3. Connect the Left Door G and the Side Panel-Left C with the Screw #6.
4. Connect the Right Door H and the Side Panel-Right D with the Screw #6.
5. Tighten the Screw #6.

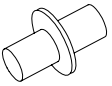
7

7

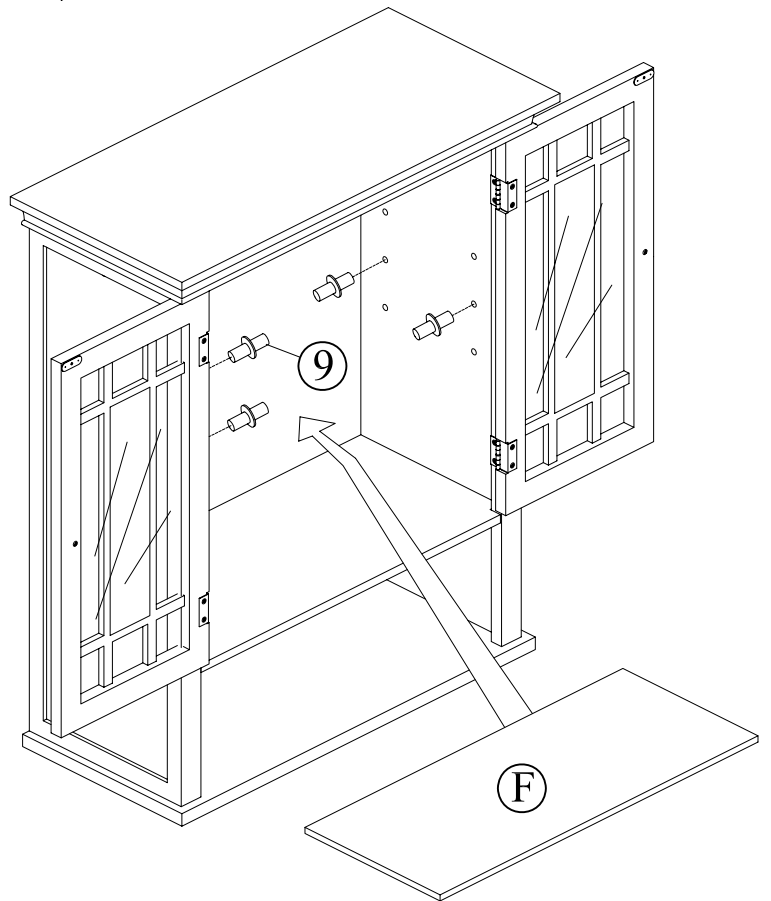
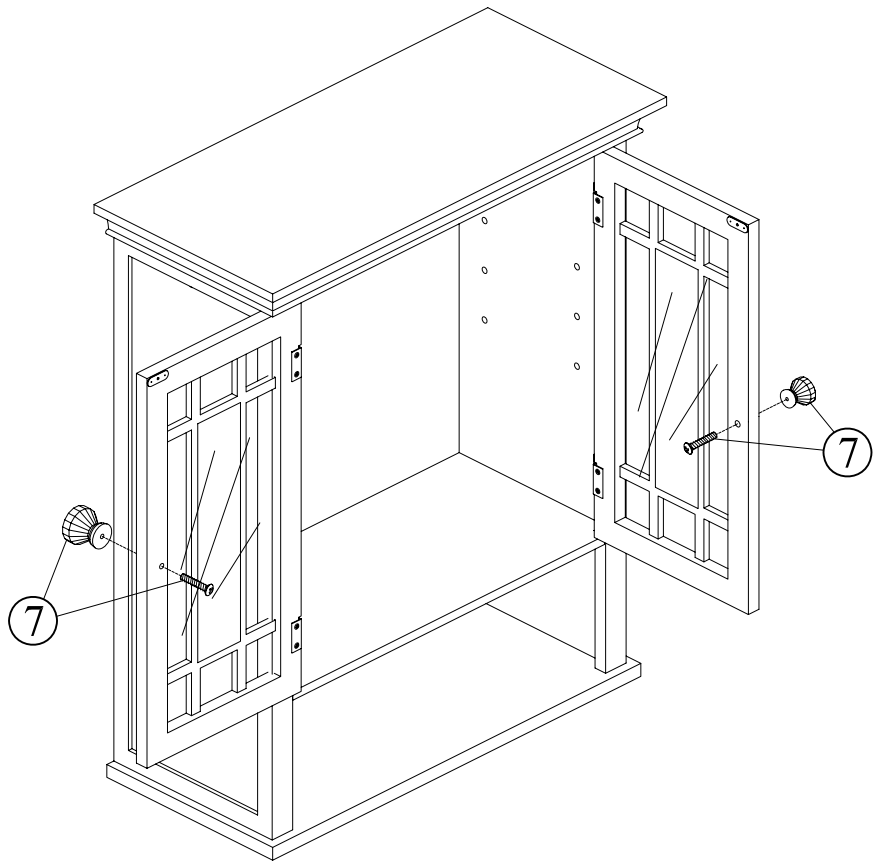


2sets

9



4pcs

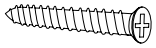


STEP 7:

1. Attach the Knob #7 to the Left Door G and the Right Door H with the Bolt #7. then tighten the Bolt #7.
2. Insert the Shelf Pin #9 into the hole on Side Panel-Left C & Side Panel-Right D.
3. Placed the Adjustable Shelf F on the Shelf Pin #9.

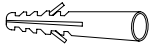
8

10

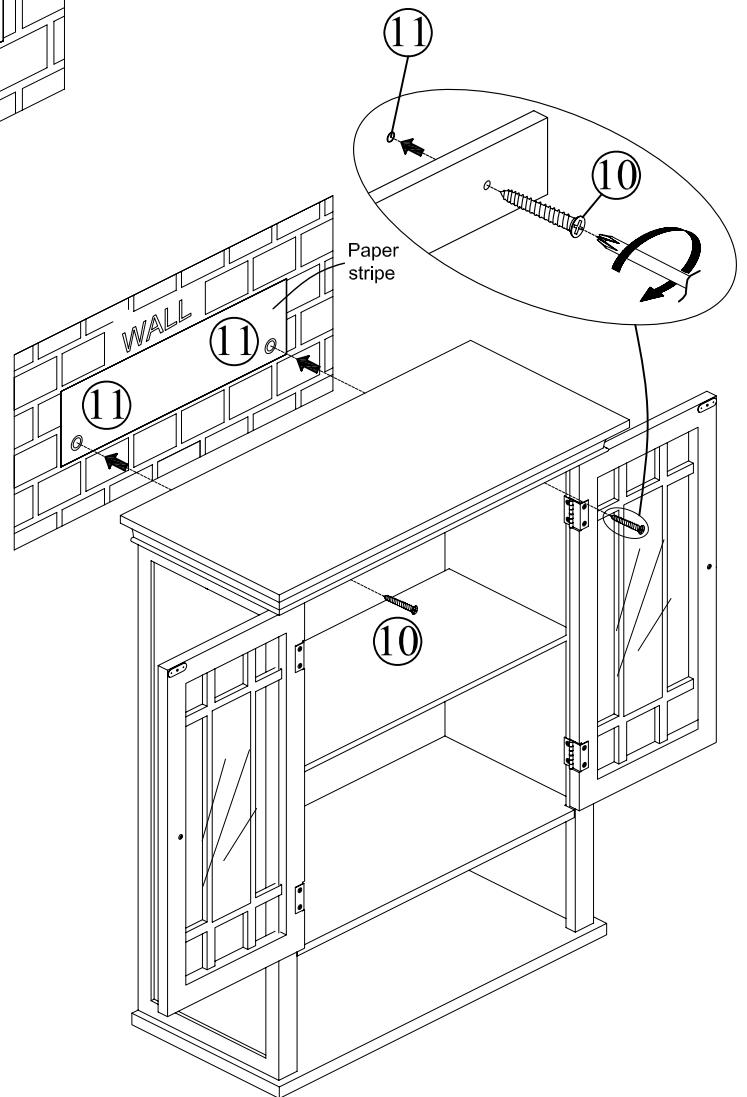
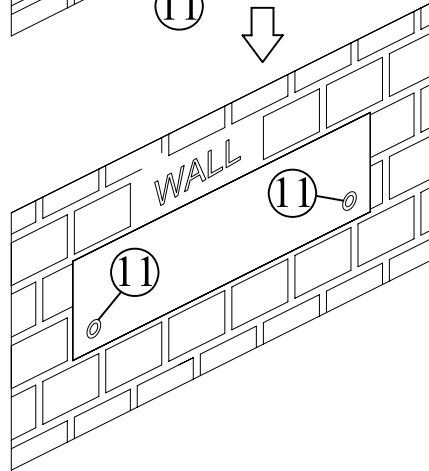
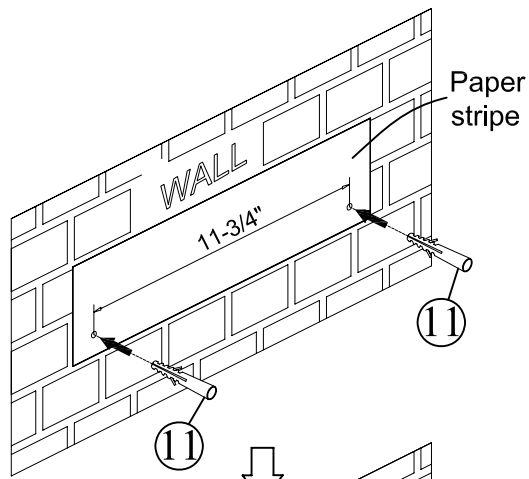


2pcs

11



2pcs



STEP 8:

1. We provide Alignment Paper Strip to help you to install the Wall Cabinet on the wall. Place Alignment Paper on the desire location and make sure it is horizontal. Pre-drill anchor holes, and install anchor #11.
2. Relyed the wall cabinet on the wall, and aimed the hole on the Rear Panel I and the anchor #11 in the wall.
3. Tighten the screw #10 into the anchor #11, and pass through the hole on the Rear Panel I. In this way, the wall cabinet shall be fixed on the wall.

