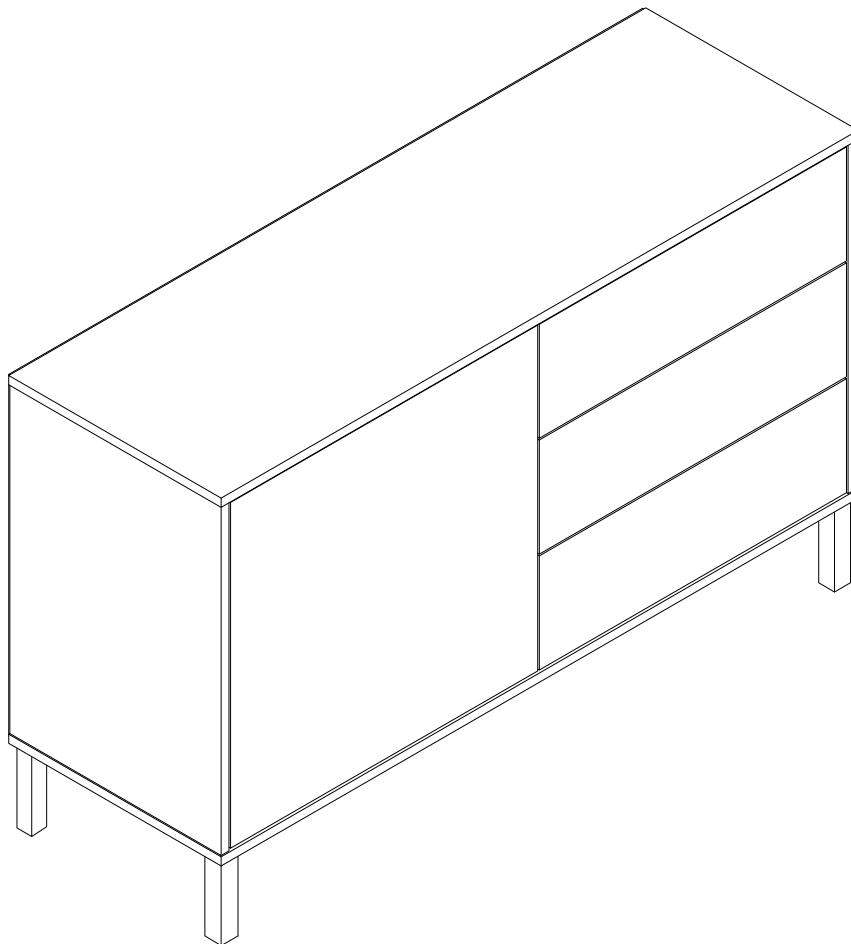
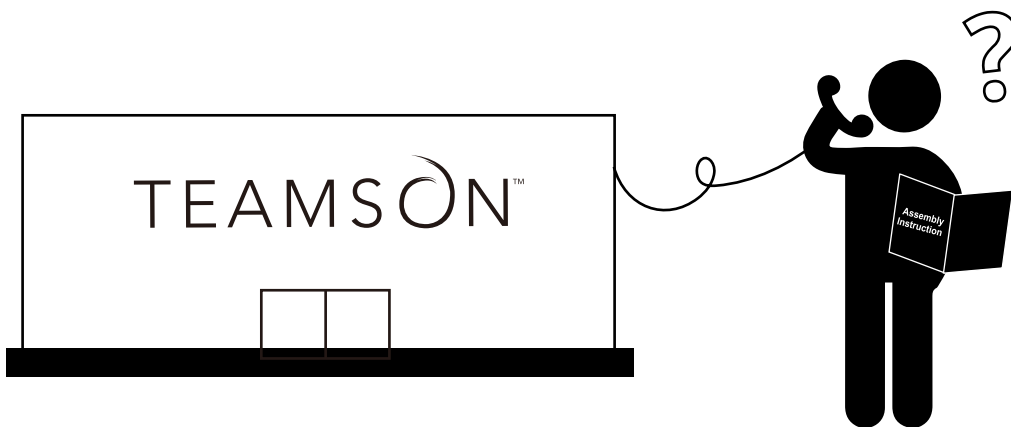
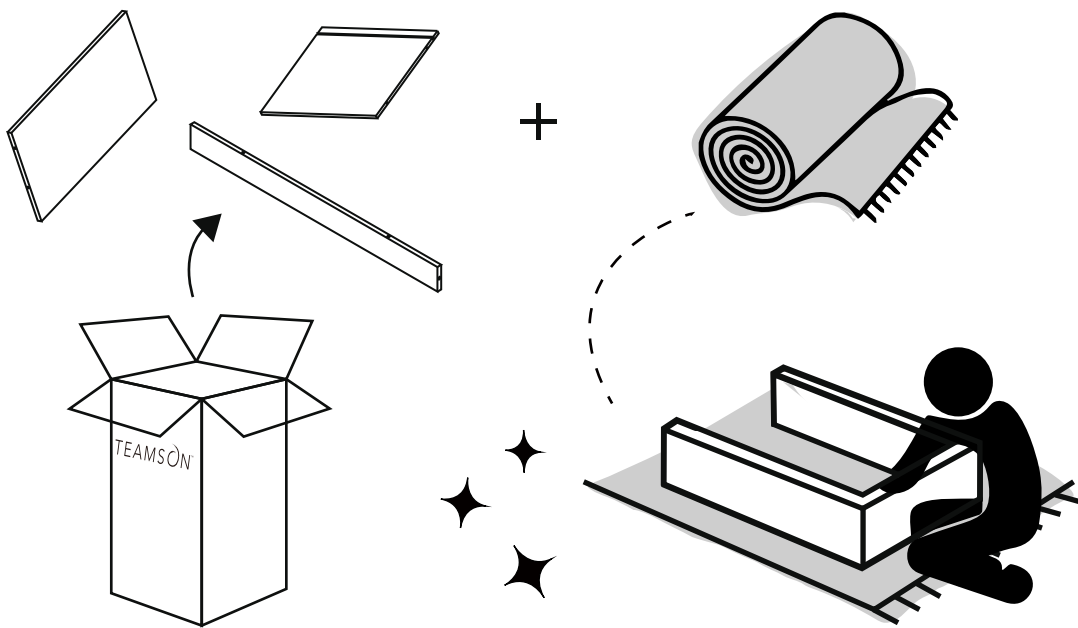
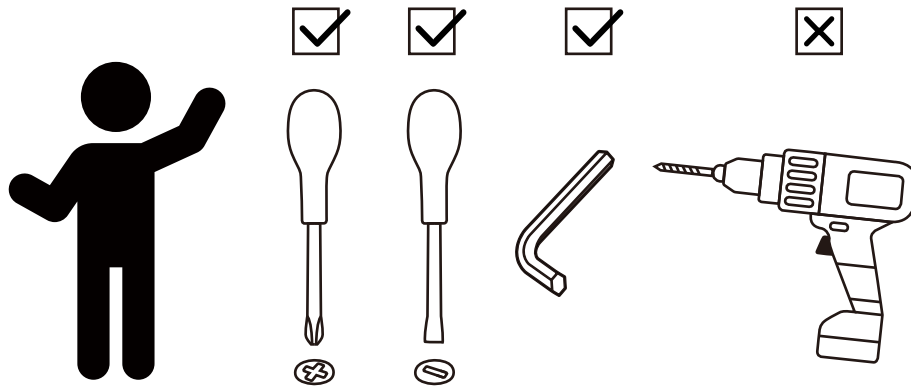


Versanora
Teamson home - Cairo 31.5" 3
Drawer Sideboard

VNF00123

TIME SAVER!
3D Interactive Instruction





** Got questions? Please have your product code (on the first page of this instruction, e.g. TD-12345A) and the order number ready, give us a call or email us through our customer care support! We are always ready to assist you!

TEAMSON HOME



Warranty sign up

www.teamsonhome.com

Serving you well gives us great joy!

USA +1(800)935-3959

Mon - Fri 10:00am ~ 2:00pm EST

✉ support@teamson.com

EU/UK . . . +44(0)1952-916-050

Mon - Thu 9:00am ~ 5:00pm GMT

Friday 9:00am ~ 4:00pm GMT

✉ support@teamson.co.uk

ASIA . . . 深圳办公室:

+86(0755)8885-3558.分机号108

Mon - Sat 9:00am ~ 5:00pm GMT+8

✉ sales_ec@teamson.com

台北办公室:

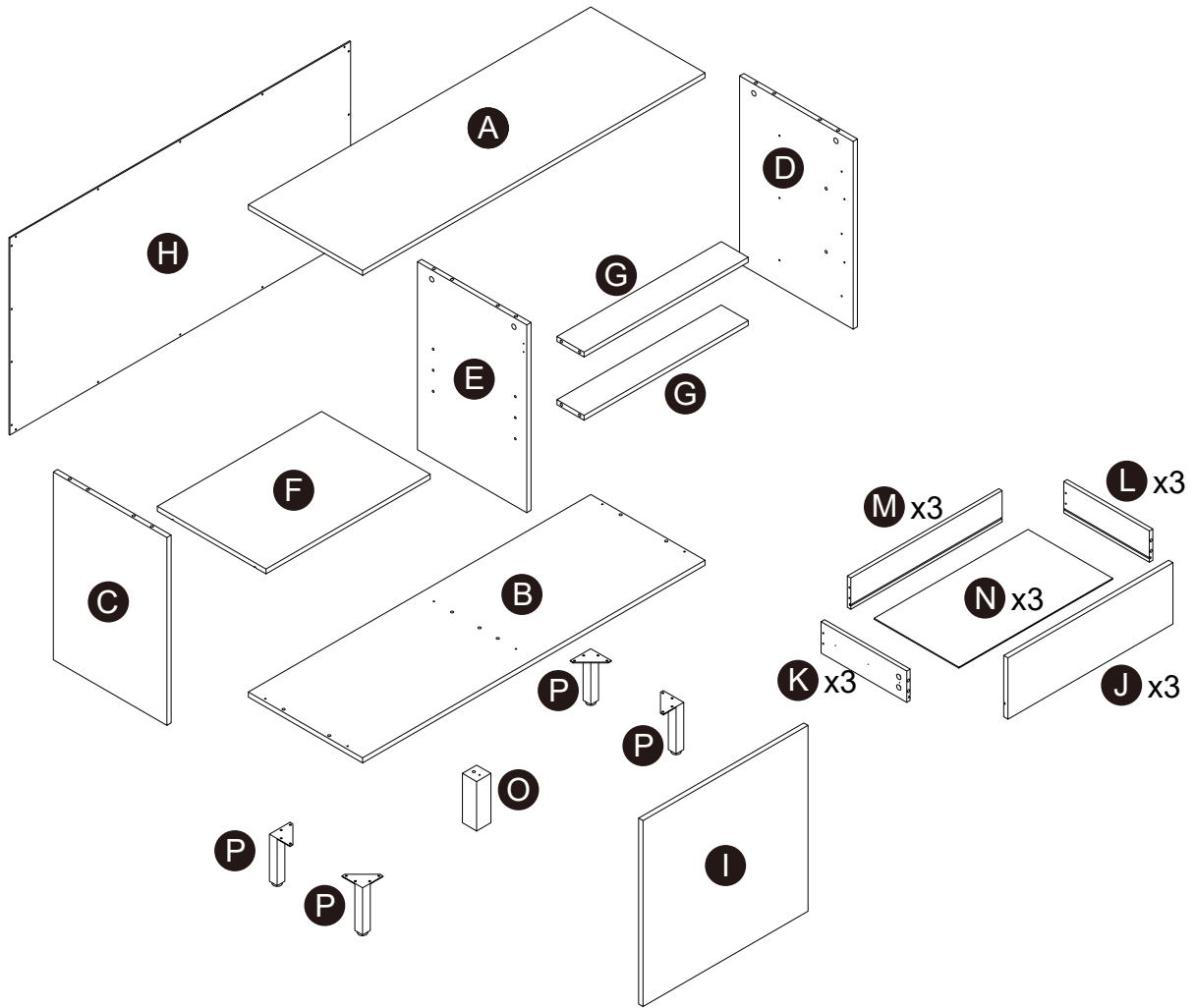
+886(2)2556-6268

Mon - Fri 9:00am ~ 5:00pm GMT+8

✉ sales_ec@teamson.com

Thank you for choosing Teamson Home

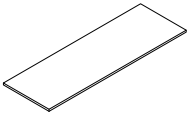
Exploded Drawing



← **Questions?**
Scan Here

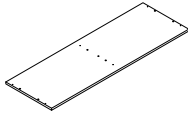
Product Parts

A



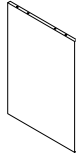
1 PC

B



1 PC

C



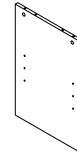
1 PC

D



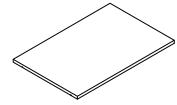
1 PC

E



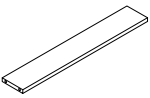
1 PC

F



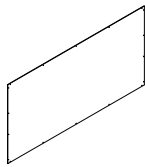
1 PC

G



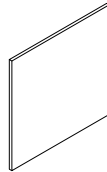
2 PCS

H



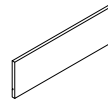
1 PC

I



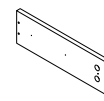
1 PC

J



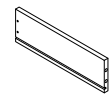
3 PCS

K



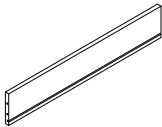
3 PCS

L



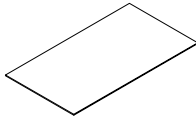
3 PCS

M



3 PCS

N



3 PCS

O



1 PC

P



4 PCS



Questions?
Scan Here

! Care Instructions

Dust surface with a dry soft cloth.

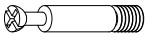
Do not use window cleaners or cleaning abrasives as they will scratch the surface and could damage the protective coating

! WARNING

Small parts and sharp edges may be present prior to assembly.

Hardware

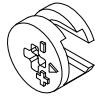
1



Ø6*35mm

22+2 pcs

2



Ø15*9mm

22+2 pcs

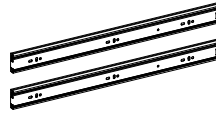
3



Ø3.5*12mm

36+4 pcs

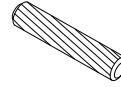
4



295mm

3 sets

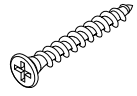
5



Ø8*30mm

17+2 pcs

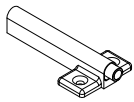
6



Ø4*45mm

7+1 pcs

7



4 pcs

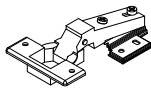
8



Ø3*12mm

18+2 pcs

9



2 pcs

10



Ø3.5*14mm

36+4 pcs

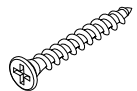
11



Ø5*16mm

4 pcs

12



Ø4*35mm

12+2 pcs

13

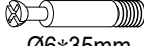


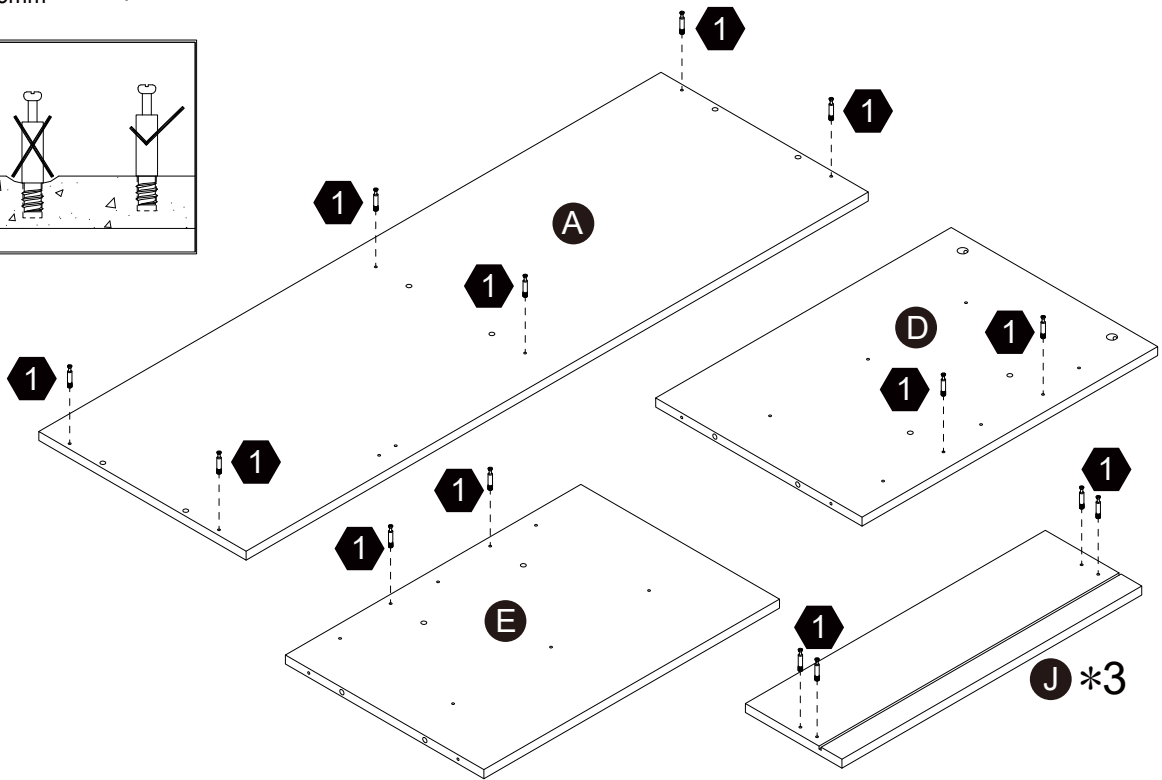
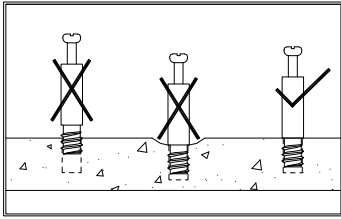
1 set



Questions?
Scan Here

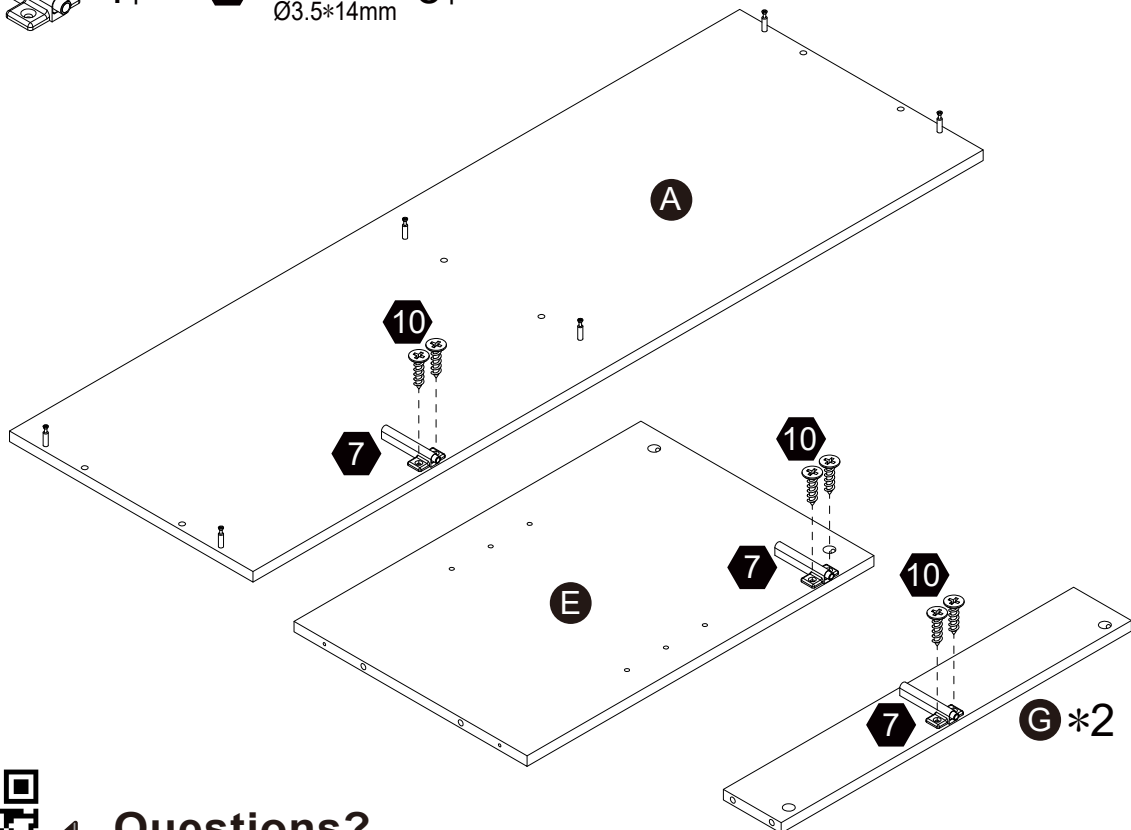
Step 1

1  $\varnothing 6 \times 35 \text{mm}$ 22 pcs



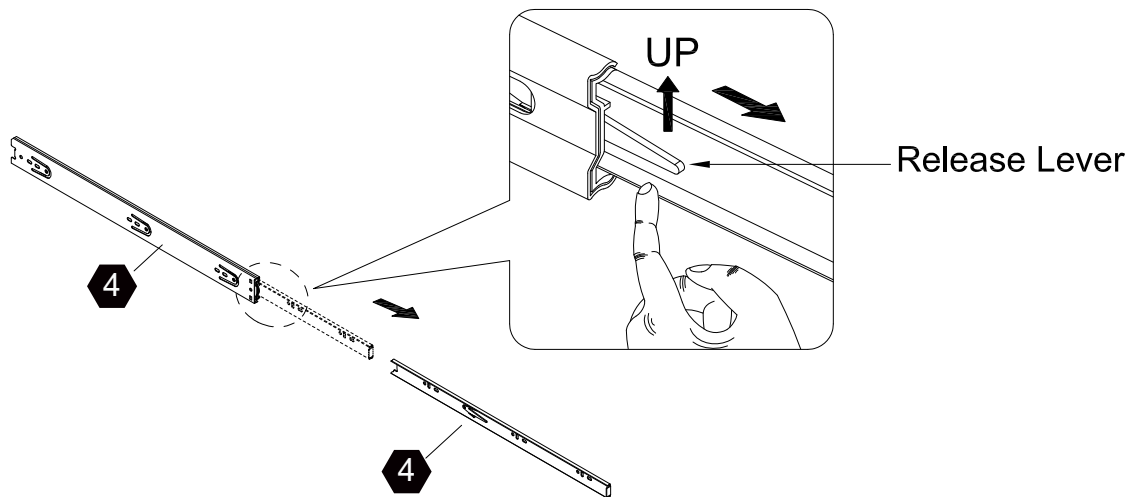
Step 2

7  4 pcs **10**  $\varnothing 3.5 \times 14 \text{mm}$ 8 pcs



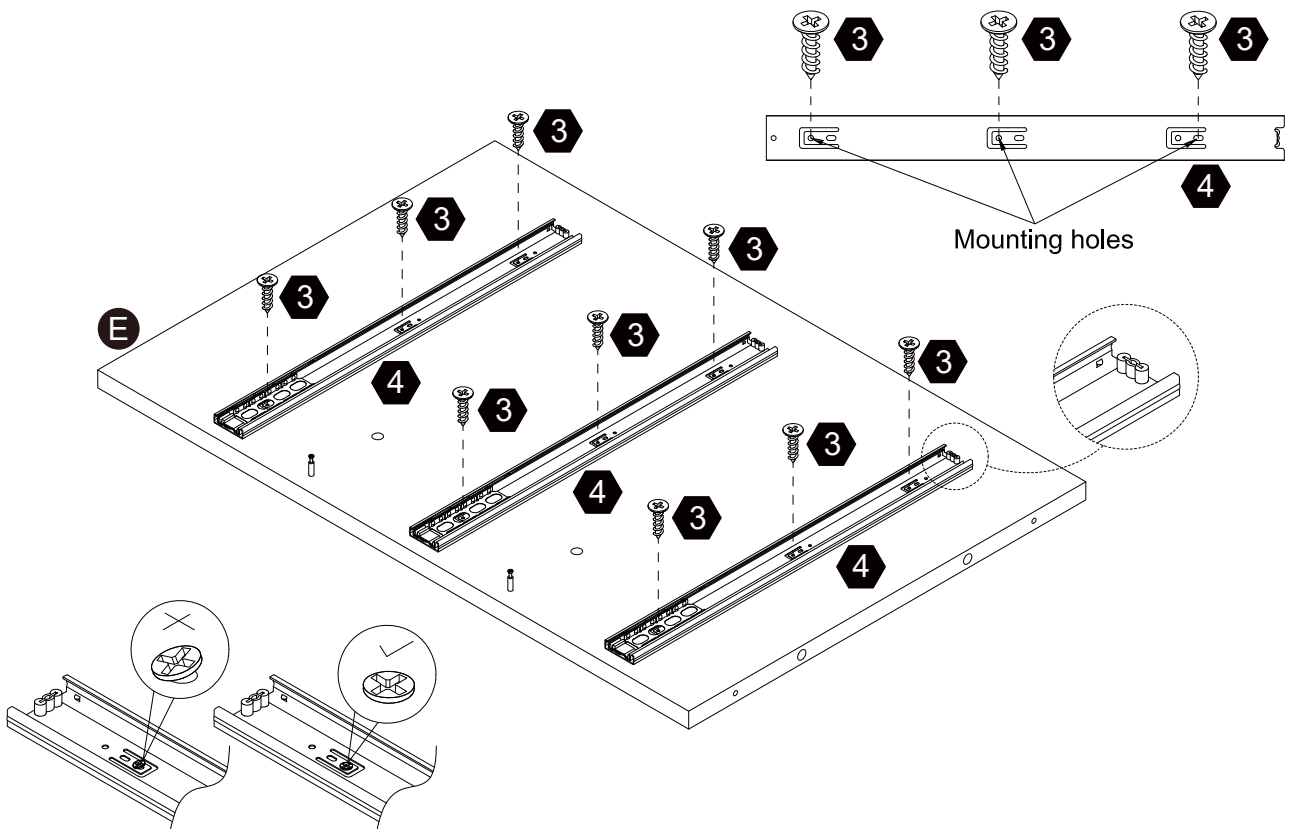
Questions?
Scan Here

Step 3



Step 4

- 3  9 pcs
Ø3.5*12mm
- 4  3 pcs

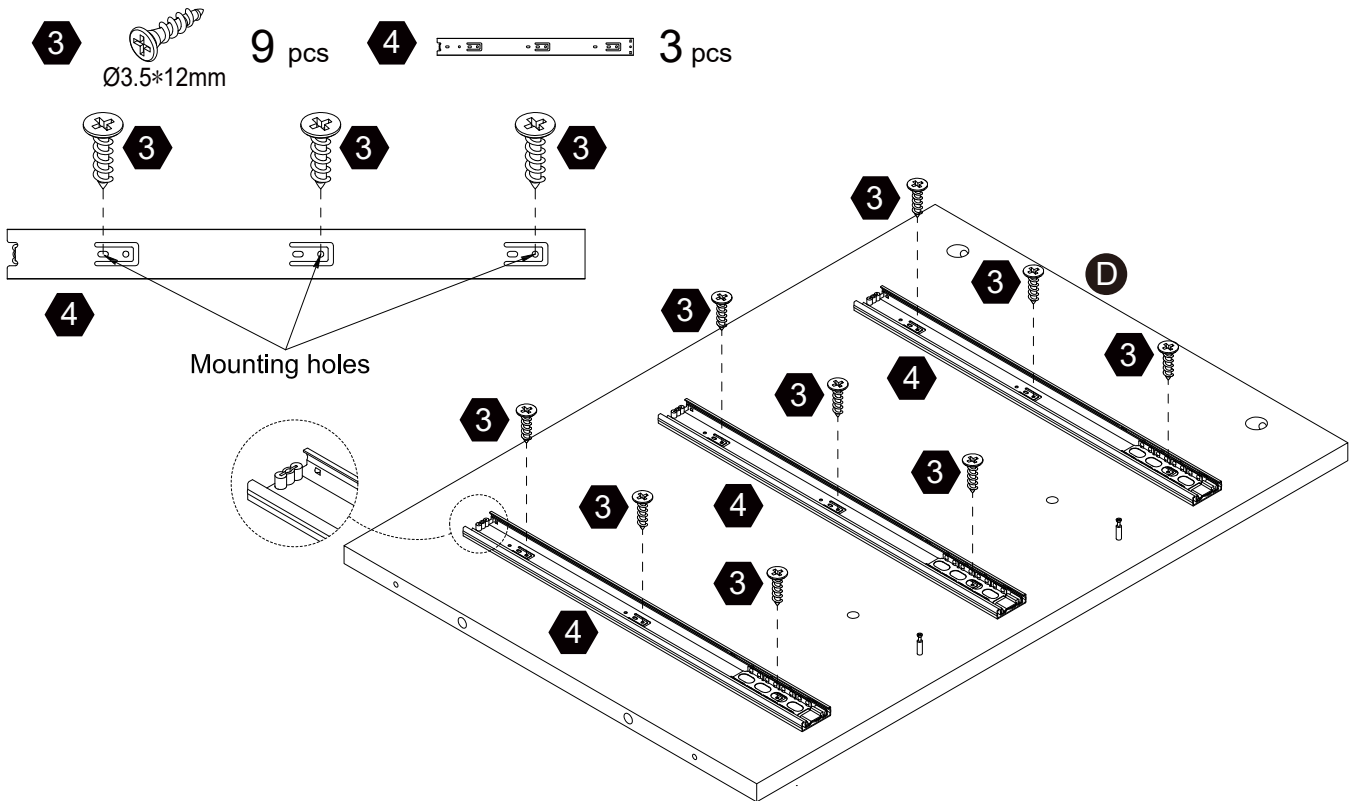


Please make sure that the screw is VERTICAL so as not to affect the sliding of the drawer.

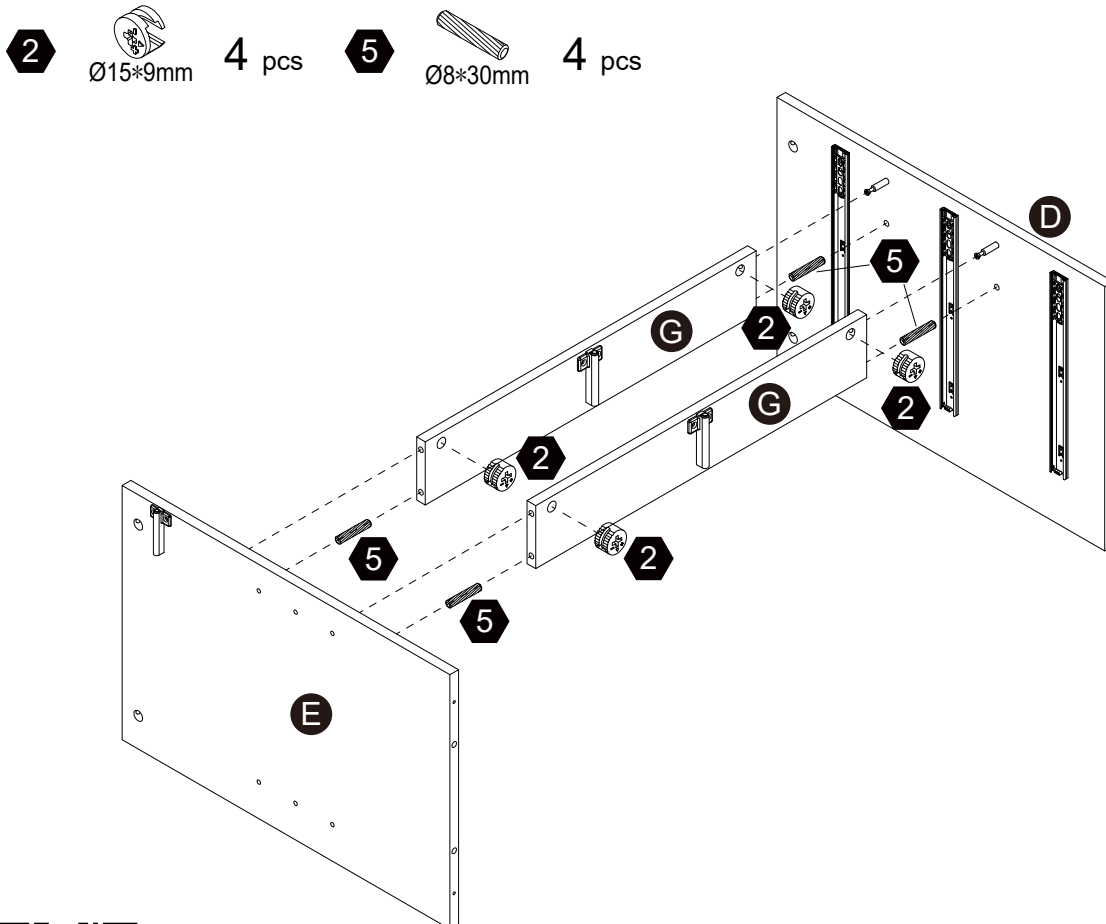


Questions?
Scan Here

Step 5



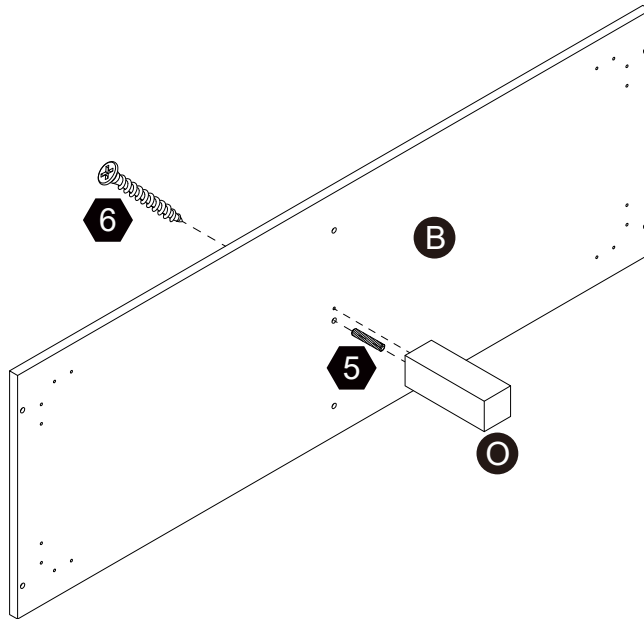
Step 6



Questions?
Scan Here

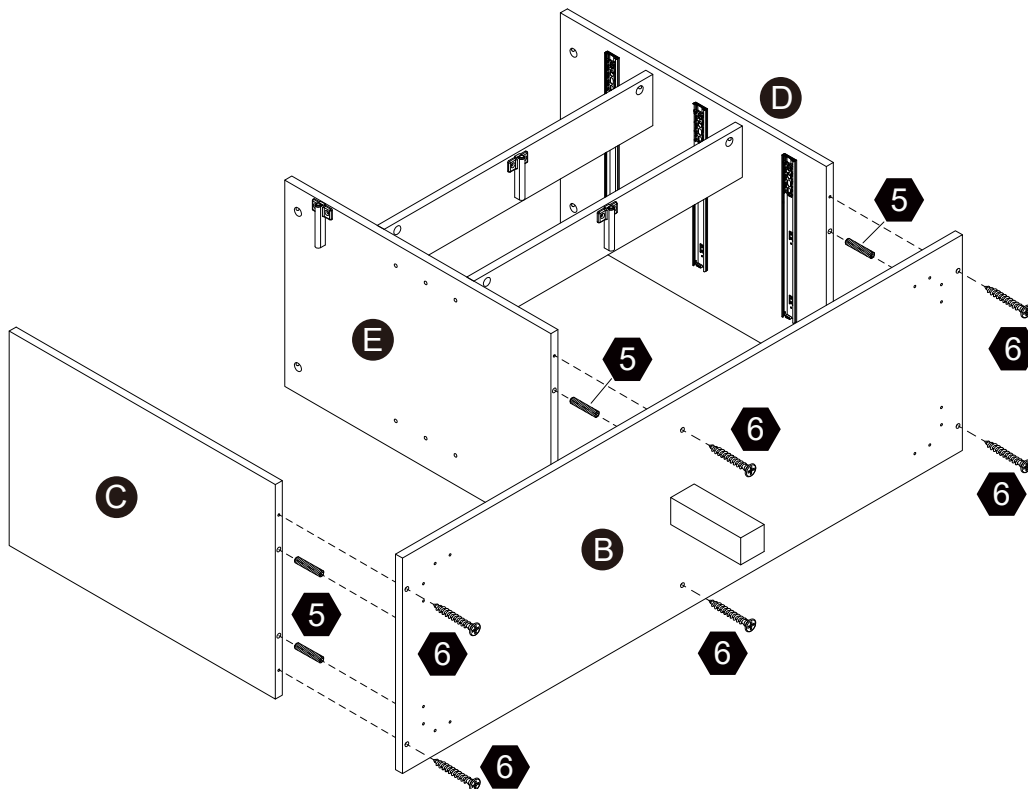
Step 7

- 5  1 pc 6  1 pc



Step 8

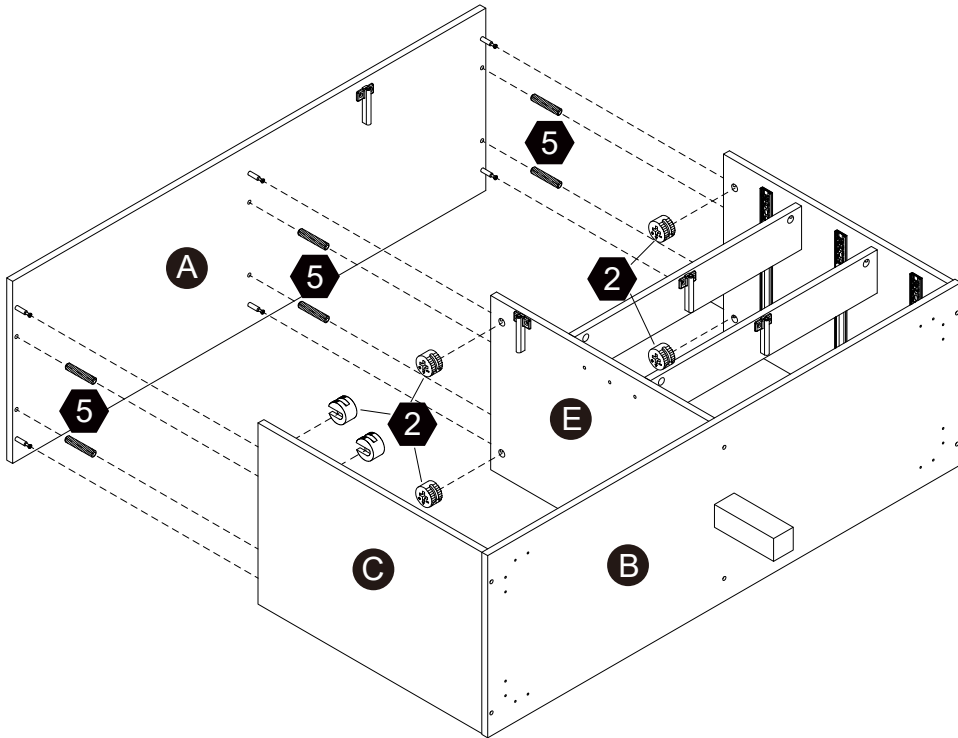
- 5  6 pcs 6  6 pcs



Questions?
Scan Here

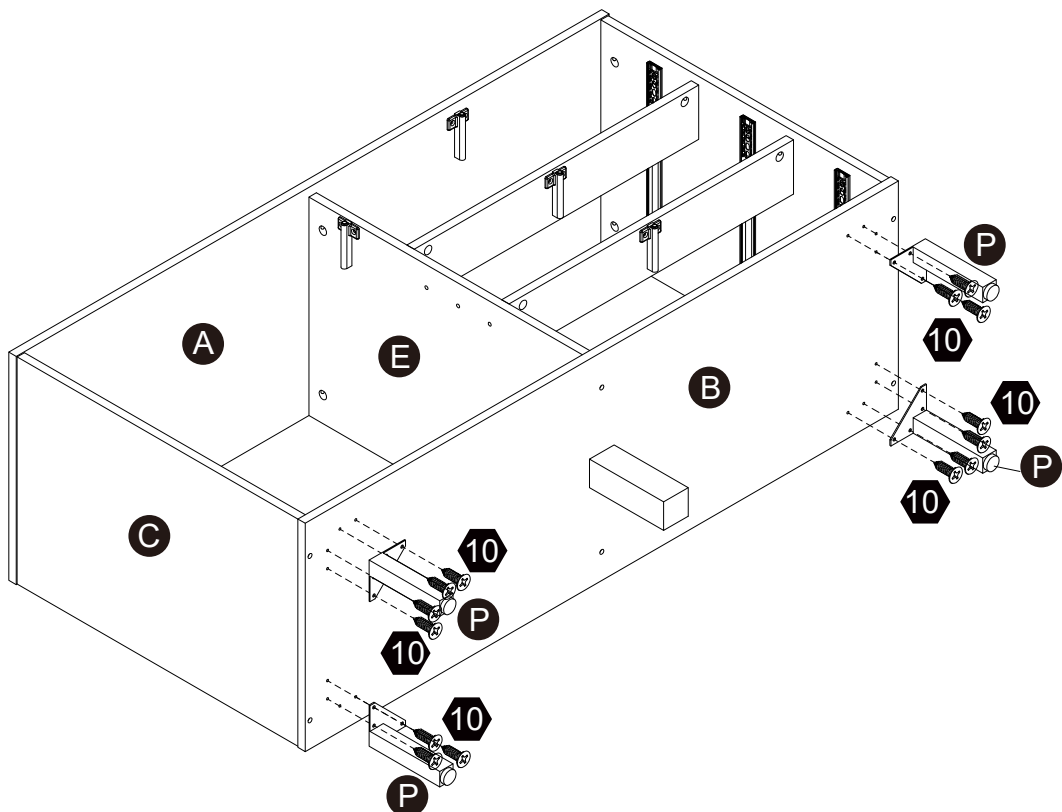
Step 9

2  Ø15*9mm 6 pcs 5  Ø8*30mm 6 pcs



Step 10

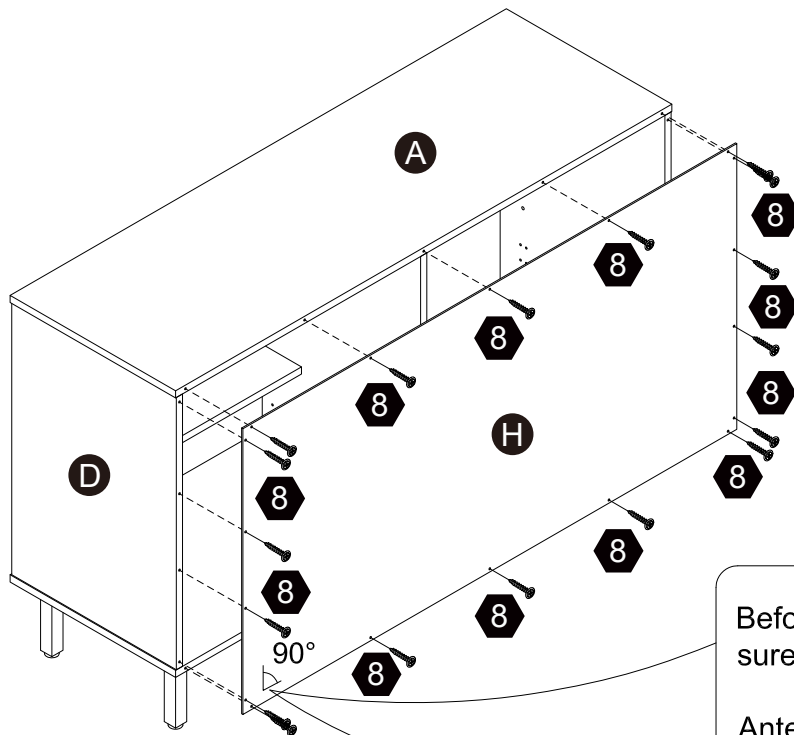
10  Ø3.5*14mm 16 pcs



Questions?
Scan Here

Step 11

8  Ø3*12mm 18 pcs

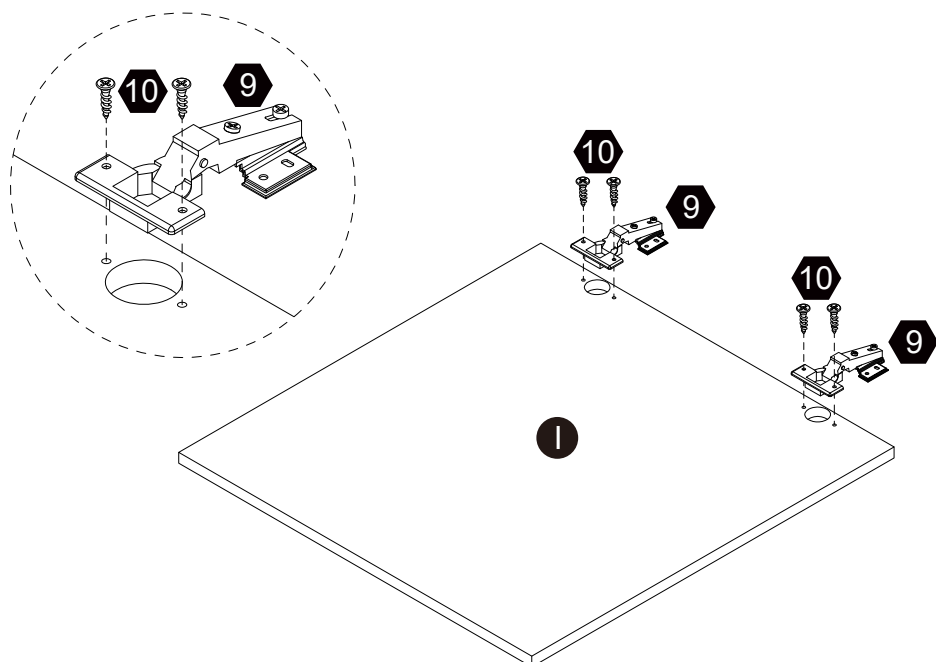


Before attaching the back panel, be sure that the unit is at 90°.

Antes de atar el panel trasero, asegúrese de que la unidad está a 90°.

Step 12

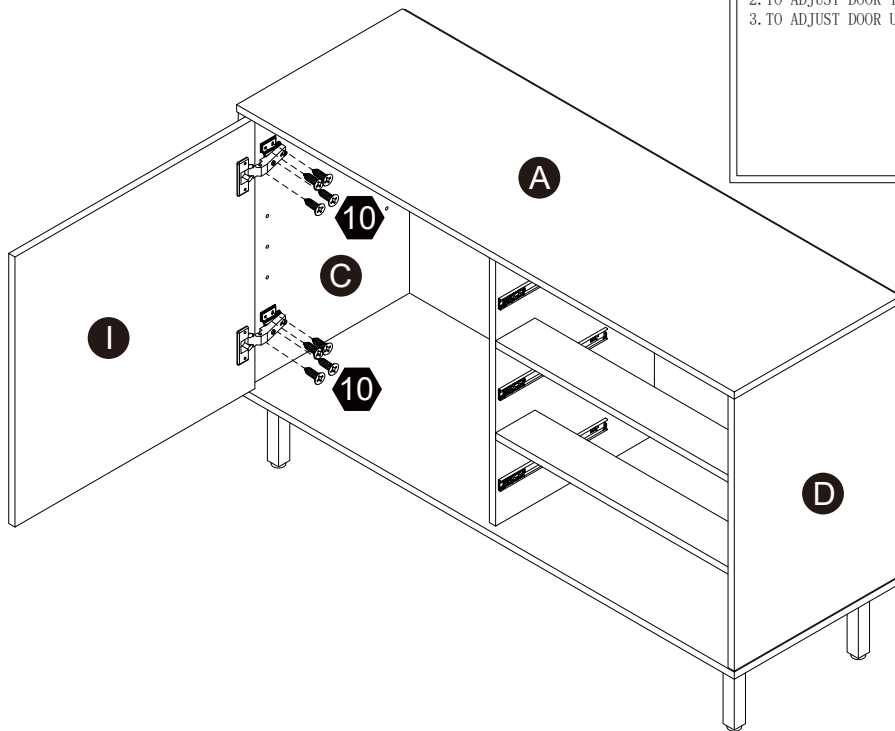
9  2 pcs 10  Ø3.5*14mm 4 pcs



Questions?
Scan Here

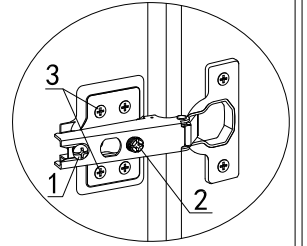
Step 13

10  Ø3.5*14mm **8 pcs**



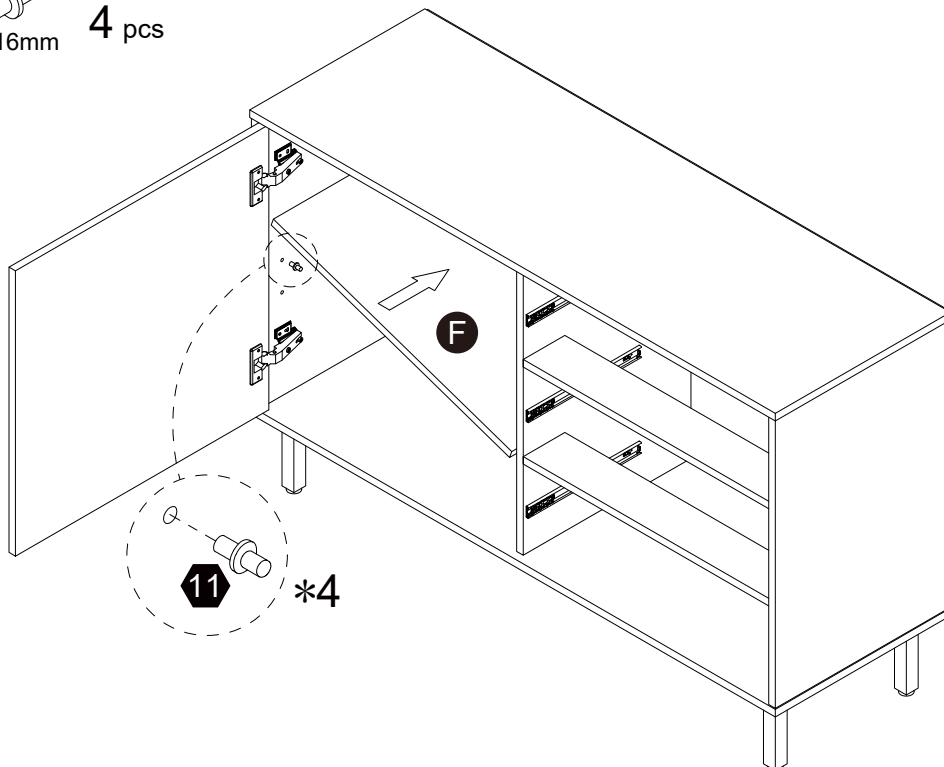
Three-way adjustable hinge for perfectly aligned doors

1. TO ADJUST DOOR FORWARD OR BACKWARD.
2. TO ADJUST DOOR TO RIGHT OR TO LEFT.
3. TO ADJUST DOOR UP OR DOWN.



Step 14

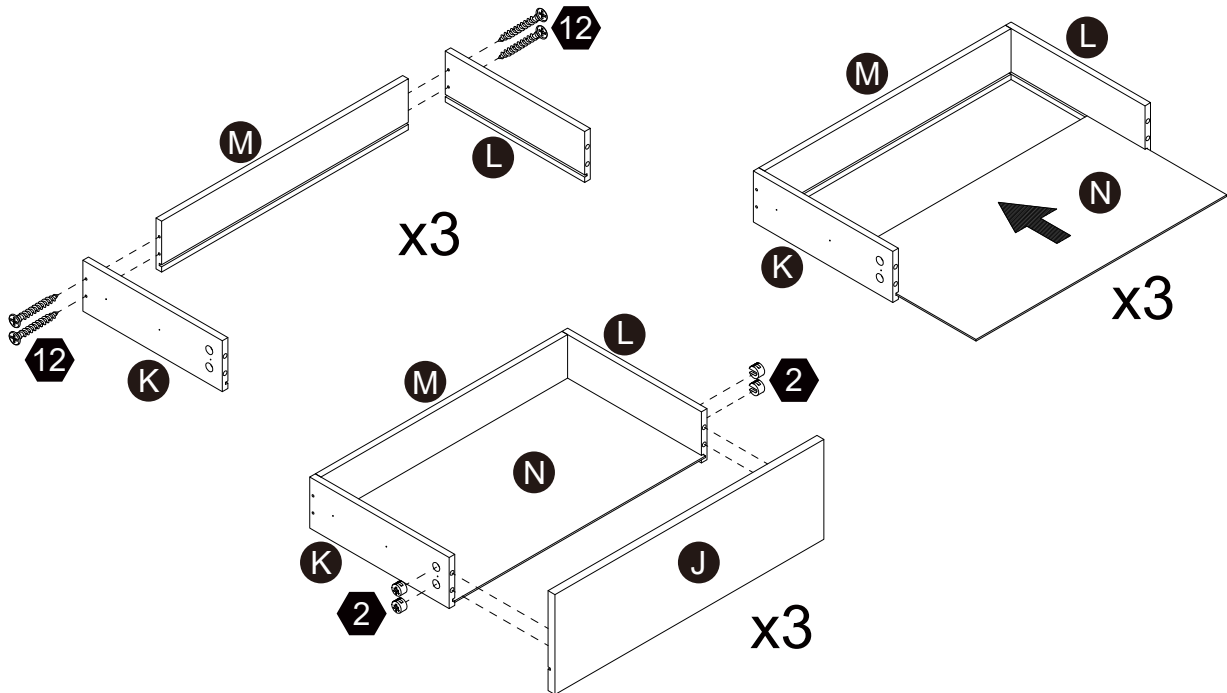
11  Ø5*16mm **4 pcs**



Questions?
Scan Here

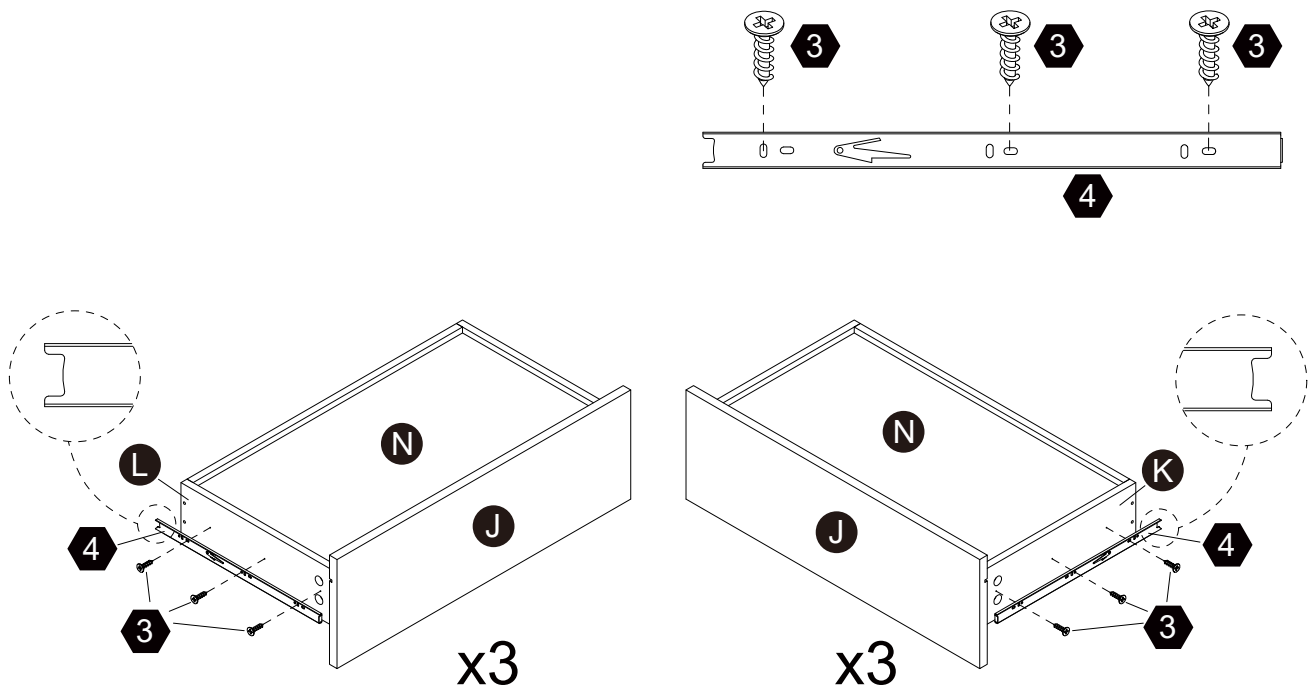
Step 15

2  $\text{Ø}15*9\text{mm}$ 12 pcs **12**  $\text{Ø}4*35\text{mm}$ 12 pcs



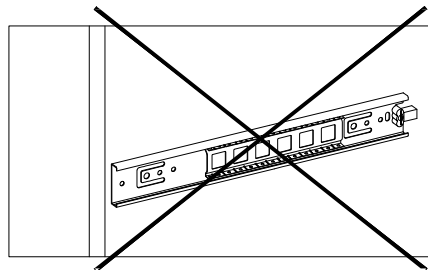
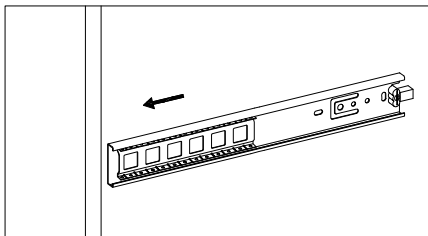
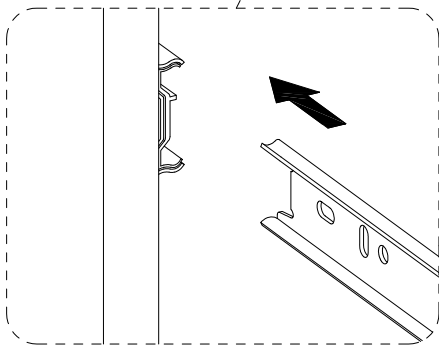
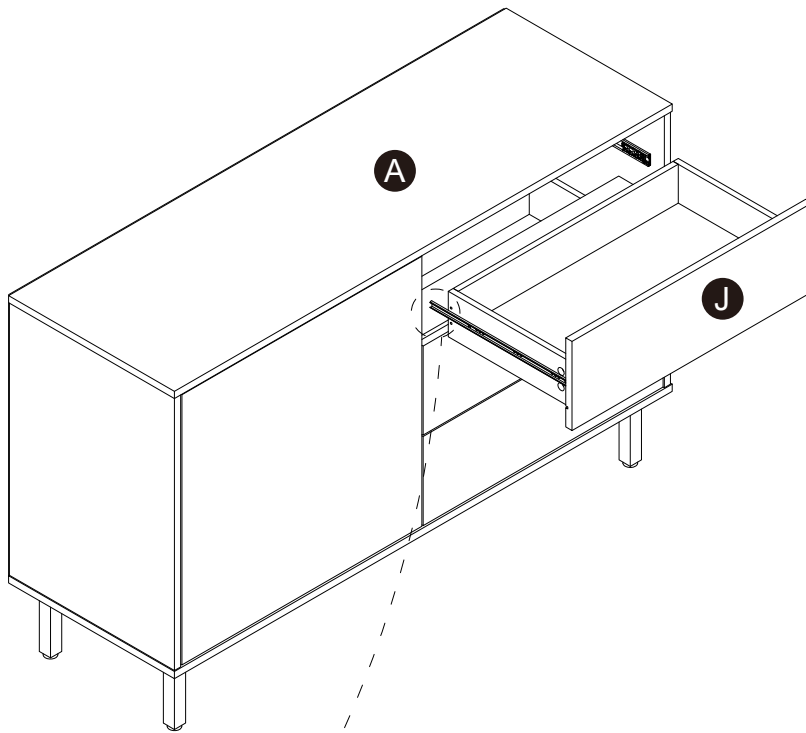
Step 16

3  $\text{Ø}3.5*12\text{mm}$ 18 pcs **4**  6 pcs



Questions?
Scan Here

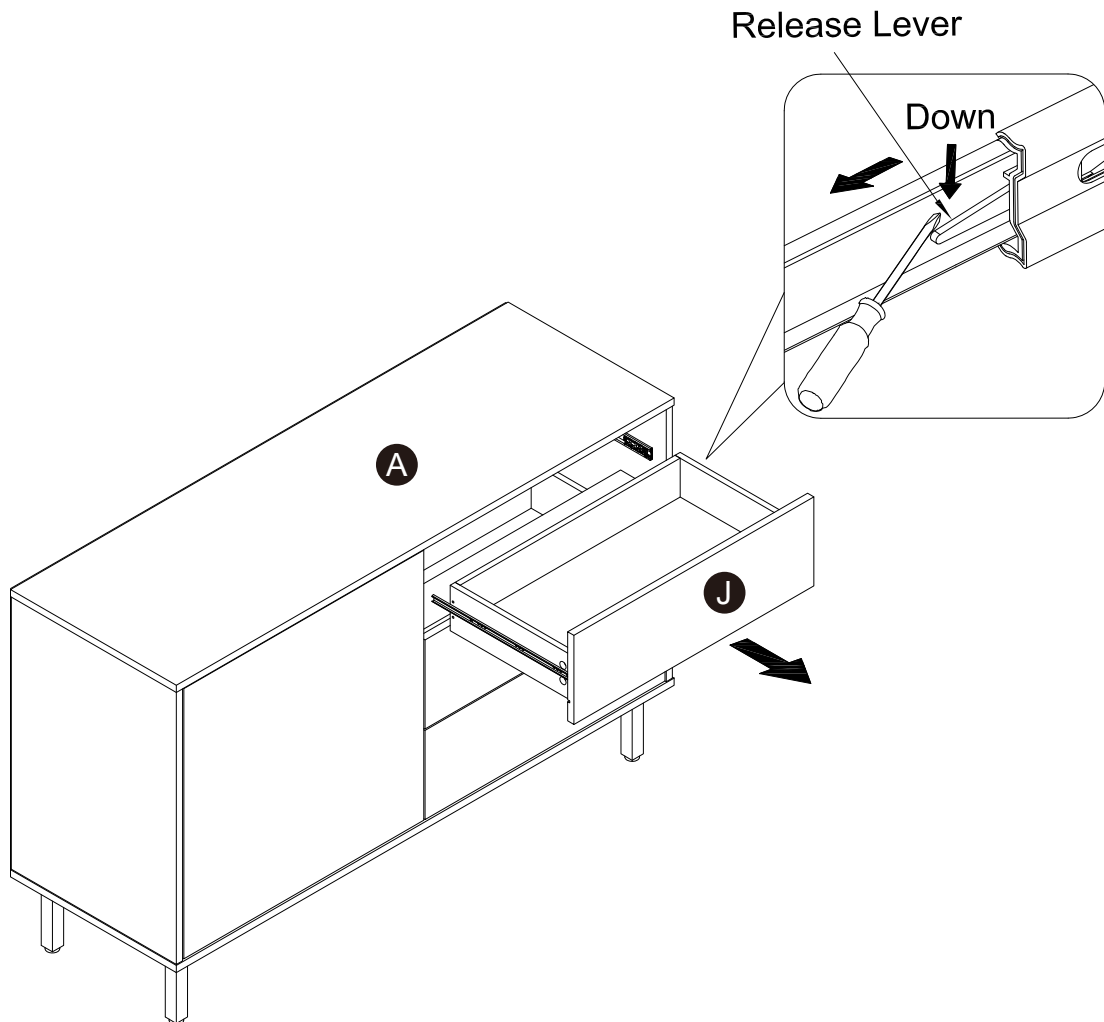
Step 17



← **Questions?**
Scan Here

Step 18

When you want to disassembly out the drawer:








← **Questions?**
Scan Here

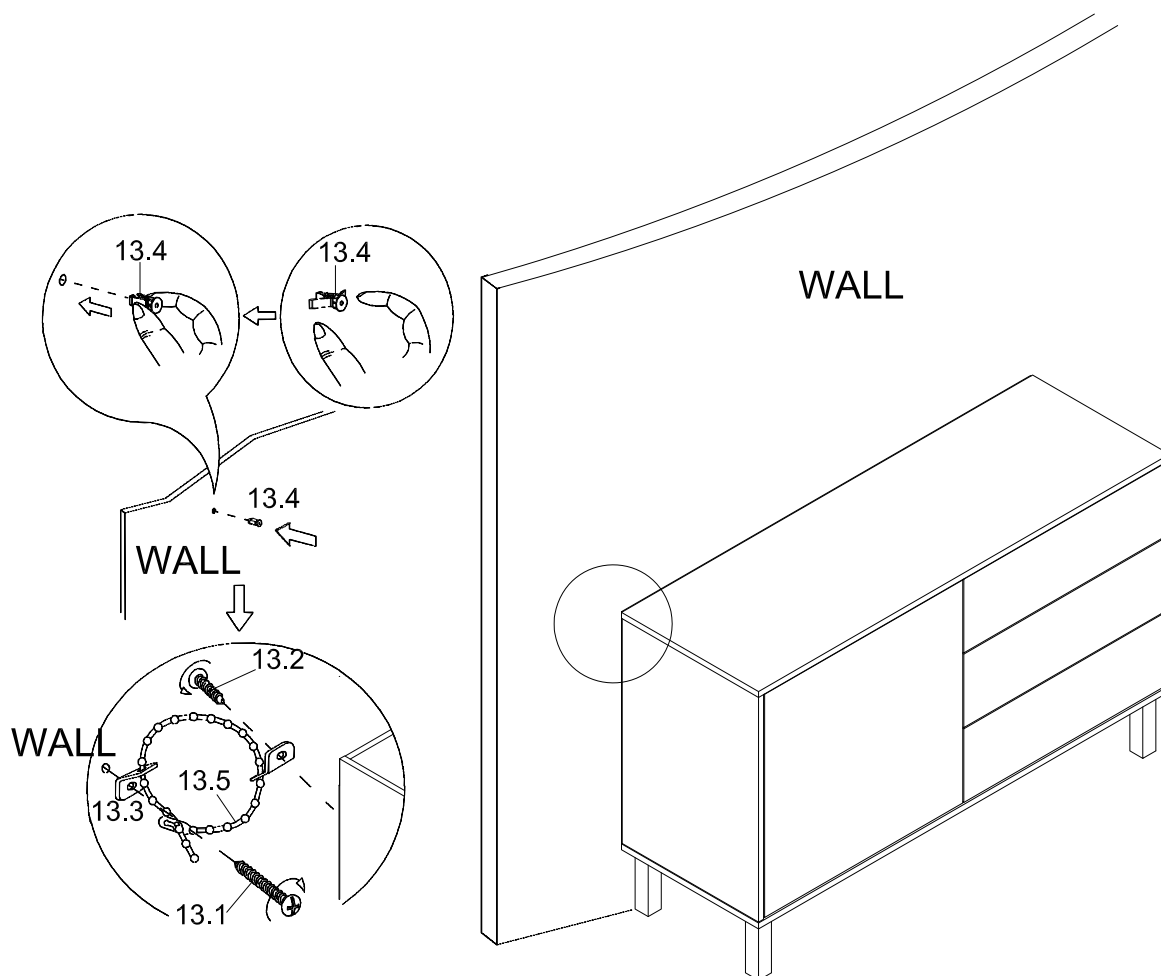
Step 19

13



1 SET

PART LIST	FIGURE	QUANTITY	DESCRIPTION
13.1		1PC	LONG SCREW (Dia.4mmX38mmL)
13.2		1PC	SHORT SCREW (Dia.4mmX19mmL)
13.3		2PC	METAL "L"BRACKET
13.4		1PC	PLASTIC ANCHOR
13.5		1PC	CABLE



Follow the instructions printed on the plastic bag containing the tipping restraint hardware to attach the tip-over restraints to the unit and the wall.

NOTE: The tipping restraint hardware included is for drywall construction. It will be necessary to drill holes for the wall anchors. Depending upon your wall construction, different anchor hardware may be required. Please contact your local hardware store for assistance.



Questions?
Scan Here