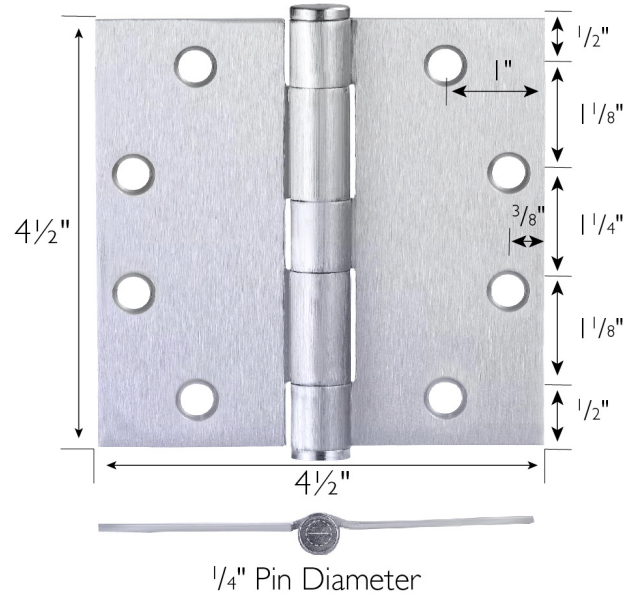
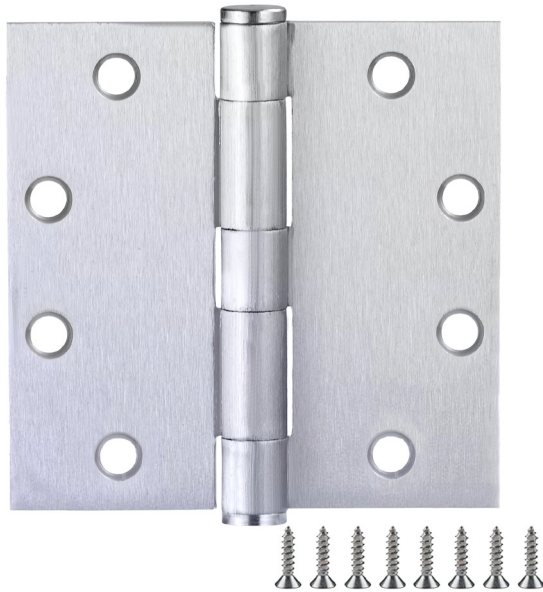


8-Hole 4.5" x 4.5", 5/8" Radius Door Hinge 9-Pack
Brushed Chrome



SPECIFICATIONS

MATERIAL CONSTRUCTION:	Steel
MOUNTING HARDWARE INCLUDED:	#12 x 3/4" (8 screws)
TOOLS NEEDED FOR INSTALLATION:	Screwdriver
ASSEMBLED DIMENSIONS:	4.5" H x 4.5" L x 0.125" W
ASSEMBLED WEIGHT:	9.92 lbs
CORNER RADIUS:	5/8"
HINGE TYPE:	Butt Hinge

WARRANTY: 1-Year limited warranty

LEGAL FOR SALE IN CALIFORNIA: Yes



TYPE:
JOB:
ORDER CODE:
APPROVALS: