

VP3232CPANNS

32 x 32 x 6



PROFESSIONAL

FEATURES

- Pre-leveled base
- Designed for tile-wall applications
- Slip-resistant, textured bottom
- Extended tiling flange (3T)
- Enhanced front profile
- Available in White only
- Patented design features:
 - corner drainage channels
 - step-design finishing guides
 - extended nailing flange
- Center drain
- Swan Solid Surface material
- Modern, matte finish
- 15- year residential limited warranty

PACKAGED DIMENSIONS

- 33 1/2 x 33 1/2 x 8 1/4

VERITEK PRO

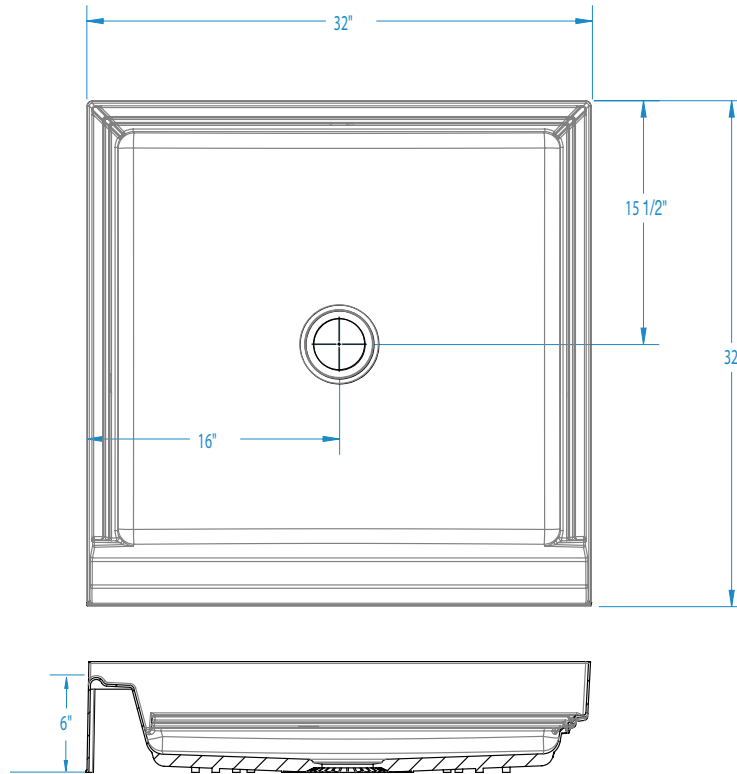
Lightweight and durable, Veritek Pro is produced with Swan Solid Surface, a proprietary SMC compound.

Veritek Pro is the better bathroom solution and is a snap to install!



VP3232CPANNS

32 x 32 x 6 inches



FEATURES Dimensional Tolerance $\pm 3/8"$. Dimensions needed for site preparation should be measured from the unit. Manufacturer assumes no responsibility for preparatory work.

Model #	Material	Drain	Net Wt. lbs	Pkg. Wt. lbs
Shower Pan #VP3232CPANNS	Swan Solid Surface	Center	28	33

DIMENSIONS

Specifications	inches
Width: Overall / Net	32
Depth: Overall / Net	32
Height: Overall / Net	7 / 6
Enclosure Opening	-
Skirt Height	6
Drain Rough-In (from Back Wall)	15 1/2
Drain Rough-In (from Side Wall)	16
Drain: Diameter / Clearance	3 1/4 / 3/8

FRAMING DIMENSIONS inches

Type	D Depth	W Width	H Height	A	B	C
Alcove	32	32	-	Box Out	16	15 1/2

