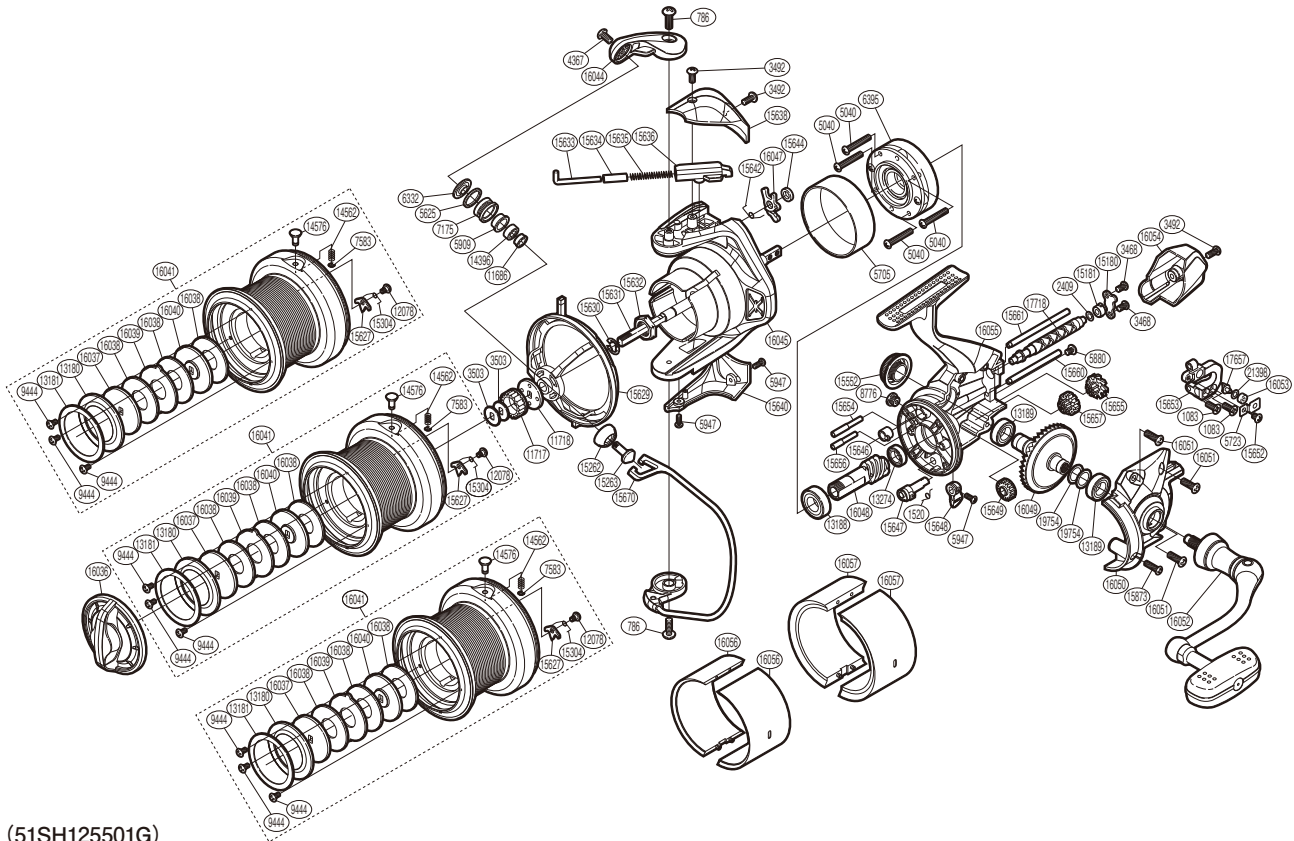


# SHIMANO

## ULTEGRA CI4+ XSB

## ULCI4+ 5500XSB



(51SH125501G)

#	Part No.	Description	#	Part No.	Description	#	Part No.	Description
786	103J1	Screw	14396	104VQ	Ball Bearing	15656	10H4D	Idle Gear C Shaft
1083	10ML8	Screw	14562	10LQ3	Line Clip Spring	15657	10H4A	Idle Gear C
1520	105B2	Anti-Reverse Cam Spring	14576	10ATV	Line Clip	15660	10356	Oscillating Guide A
2409	1059U	Spacer	15180	10AT4	Worm Shaft Retainer	15661	104M6	Oscillating Guide B
3468	10LSN	Screw	15181	106M3	Worm Bushing (Rear)	15670	106YV	Bail Assembly
3492	103DC	Screw	15262	10G8L	Line Roller Support Cover	15873	10M2W	Screw
3503	10B XK	Spool Washer	15263	10Q3A	Line Roller Support	16036	102BK	Drag Knob
4367	10PMS	Screw	15304	10JM4	Drag Click Spring	16037	10BC7	Key Washer
5040	103LA	Screw	15552	10N19	Handle Screw Cap	16038	10346	Drag Washer
5625	10KFF	Line Roller Spacer	15627	1038E	Drag Click	16039	102XY	Eared Washer
5705	106HS	Roller Clutch Ring	15629	1041G	Line Safety Guard	16040	10QB X	Key Washer
5723	10H7L	Oscillating Pawl Cover	15630	105RY	E Lock	16041	10HS2	Spool Assembly
5880	10MT3	Screw	15631	10L4Q	Main Shaft	16044	10KH1	Bail Arm
5909	10PFJ	Line Roller Bushing	15632	1080W	Rotor Nut	16045	10PLY	Rotor
5947	103NH	Screw	15633	105YV	Bail Spring Guide A	16047	106KL	Bail Trip Lever
6332	107WW	Line Roller Washer	15634	10HDK	Bail Spring Guide A Support	16048	10B2Z	Pinion Gear
6395	10QNW	Roller Clutch Assembly	15635	105LJ	Bail Spring	16049	10AM9	Drive Gear
7175	10JLX	Line Roller	15636	107A7	Bail Spring Guide B	16050	10B29	Side Cover
7583	105NC	E Lock	15638	1087M	Bail Spring Cover	16051	10MBD	Screw
8776	104KM	Oil Cap	15640	10MK0	Bail Hold Support Guard	16052	10HNW	Handle Assembly
9444	10MT0	Screw	15642	106PL	Lever Spring	16053	10JXM	Oscillating Slider Bushing
11686	10GAD	Bearing Spacer	15644	10763	Washer	16054	10NGM	Rear Protector
11717	10Q03	Spool Support A	15646	106M1	Worm Bushing (Front)	16055	10370	Body
11718	10GH4	Spool Support B	15647	1053L	Anti-Reverse Cam	17657	10DMN	Oscillating Pawl
12078	10PH4	Screw	15648	10ANY	Anti-Reverse Lever	17718	10DMQ	Worm Shaft
13180	10B3R	Seal Plate A	15649	10HBF	Idle Gear	19754	10DKJ	Washer
13181	10PLS	Seal Plate B	15652	103LG	Screw	21398	10RKQ	Washer
13188	10BGD	Ball Bearing	15653	10G61	Oscillating Slider			
13189	104PT	Ball Bearing	15654	10CKJ	Idle Gear B Shaft	16056	10EWG	Spool Economizer A (4500) (accessory)
13274	104PP	Ball Bearing	15655	10CNB	Idle Gear B	16057	109WG	Spool Economizer B (3500) (accessory)

Please note that the number of adjusting washers may not be the same as shown in the exploded views.  
(Adjustment will vary with each individual product.)

(241030)\_004