

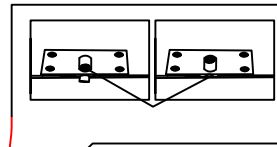
ASSEMBLY INSTRUCTION

ITEM: 5805-55483-80 Entertainment Console

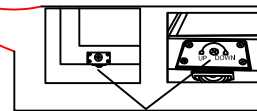
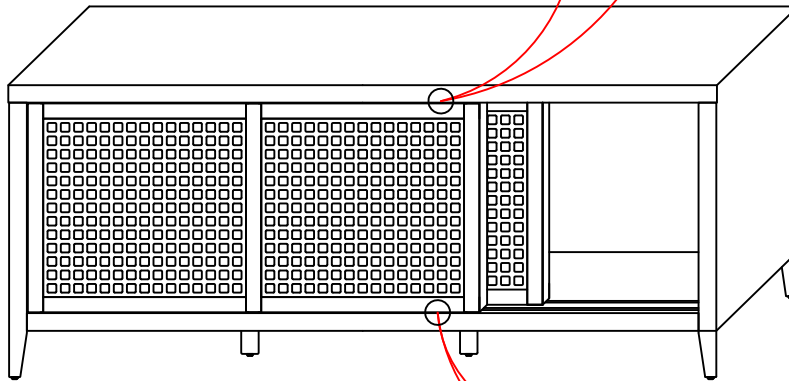
Thank you for purchasing this quality product. Be sure to unpack carefully looking for small parts which may have come loose during shipment.

Read all instruction and study the drawing carefully before starting the assembly process.

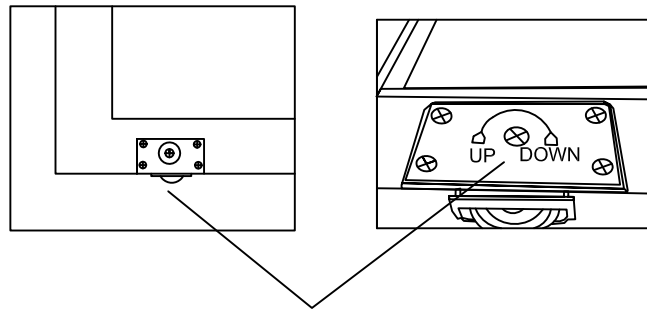
NO.	DRAWING	DESCRIPTION	SIZE	Q'TY
A		Anti - Tip Kit		1PC



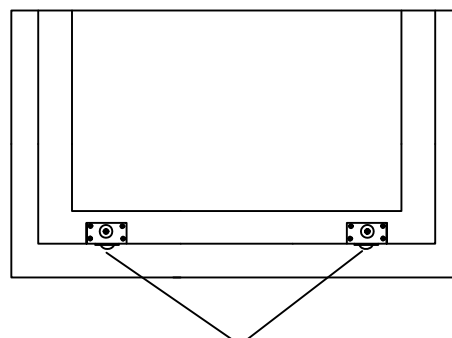
STEP 2



STEP 1



Step 1: Bottom rollers on sliding doors are equipped with adjustment to raise or lower the doors for proper operation and fit.



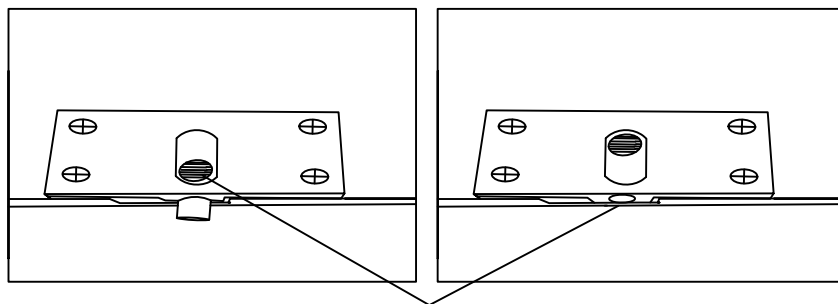
Note: Two rollers are located on the bottom of each door.

ASSEMBLY INSTRUCTION

ITEM: 5805-55483-80 Entertainment Console

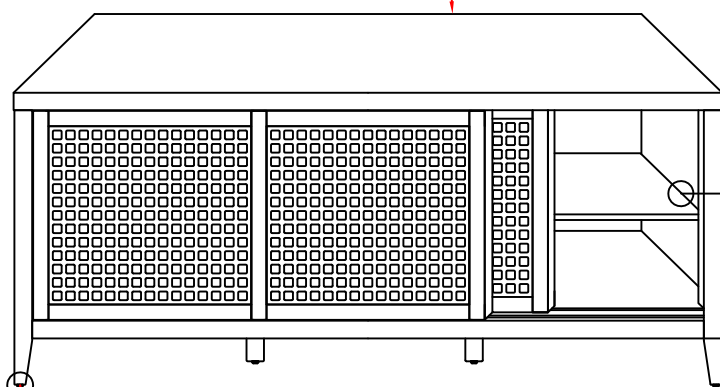
Thank you for purchasing this quality product. Be sure to unpack carefully looking for small parts which may have come loose during shipment.

Read all instruction and study the drawing carefully before starting the assembly process.

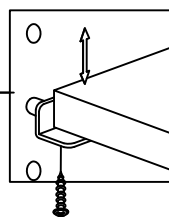


Step 2: If want to remove the doors, please push the pins upward, the pins will return back like above right picture, then you can remove the doors.

Anti-tip kit is included for use. We recommend installing for safety reason

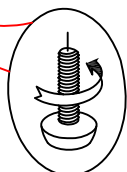


STEP 4



The adjustable shelves are screwed in place to avoid damage during transit. To adjust the shelf height, remove screws then place shelf pins in the desired level.

STEP 3



Adjust Leveler if needed to level case on uneven floor.

Note: Anti-tip kit restraint is provided. Please follow the instructions enclosed with the pack.