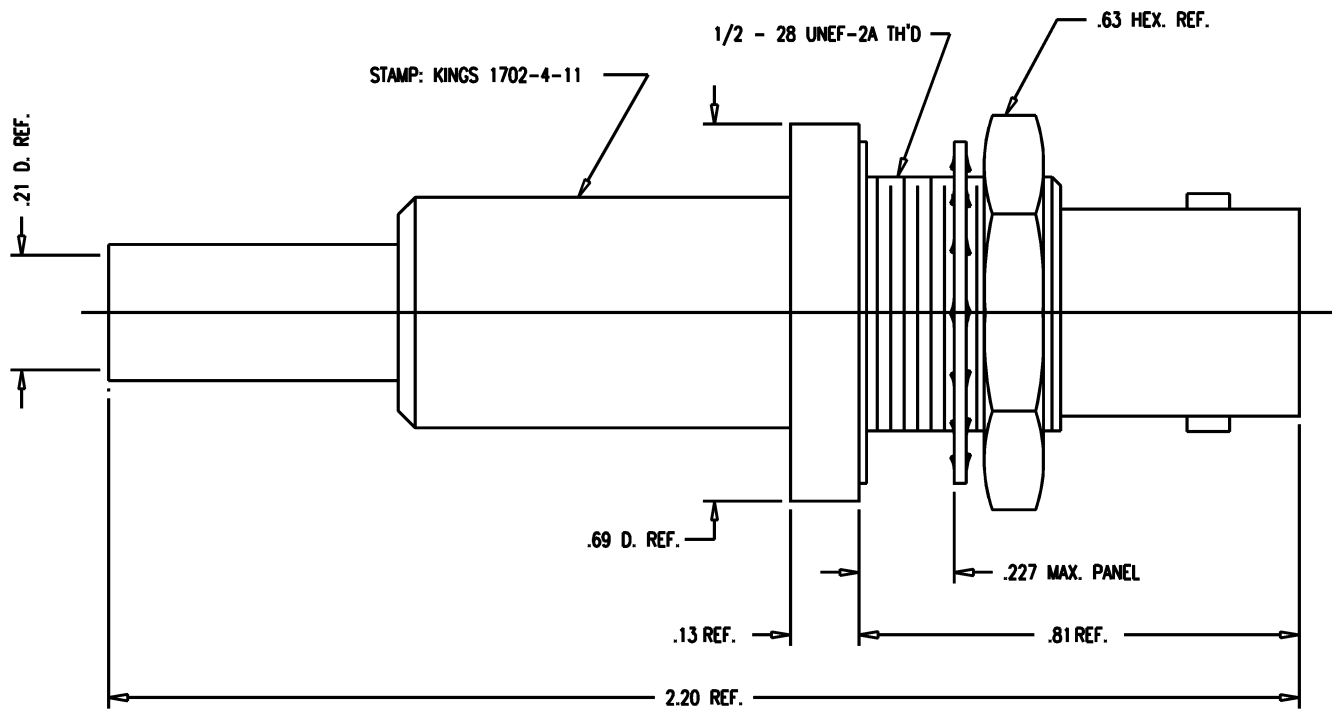


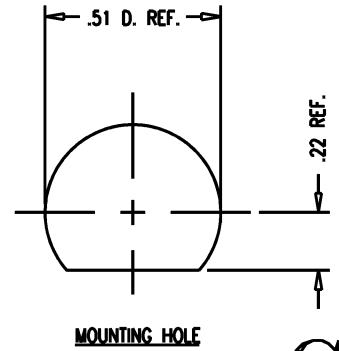
GSD

1702-4-11



NOTES:

1. FOR USE WITH LASL TYPE C 9Y19503 CABLE.
2. FOR CABLING INSTRUCTIONS SEE CP-441.
3. FOR CRIMPING USE DIE KTH-2001.
4. INTERFACE PER MIL-STD-348, FIG. 314-1.
5. MATERIALS:
 INSULATOR: REXOLITE, L-P-516
 LOCKWASHER: PHOSPHOR BRONZE, QQ-B-750
 GASKET: SILICONE RUBBER, ZZ-R-765
 ALL OTHER METAL PARTS: BRASS, ASTM-B16
6. FINISHES:
 CENTER CONTACT: GOLD PLATE, PER MIL-G-45204
 ALL OTHER METAL PARTS: KINGS TARNISH RESISTANT NICKEL FINISH (TR-5)
7. ELECTRICAL CHARACTERISTICS:
 OPERATING VOLTAGE: 3500 VOLTS AC
 5000 VOLTS DC



MOUNTING HOLE

GSD

REVISIONS

ISSUE	CHANGES
0	ER 36944 KH 04/29/96

KAM6584

SCALE 4:1

APPROX SURFACE AREA

USED ON

REF:

JACK, BULKHEAD, SHV

DRAWN KH DATE 04/29/96

DESIGN AR DATE 04/30/96

APPR. DATE

KINGS
ELECTRONICS CO., INC.
TUCKAHOE, NEW YORK 10707

1702-4-11