

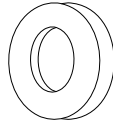
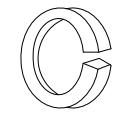
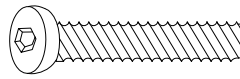

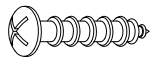
ITEM# 89400

Rustic Oak & Slate Laptop Desk With Center Drawer

Hardware List



--- 1 ---

Item	Description	Qty
a	 Flat Washers	8 PCS
b	 Lock Washers	8 PCS
c	 Bolts	8 PCS
d	 Allen Wrench	1 PC
e	 Wood Screws 1-1/4"	6 PCS

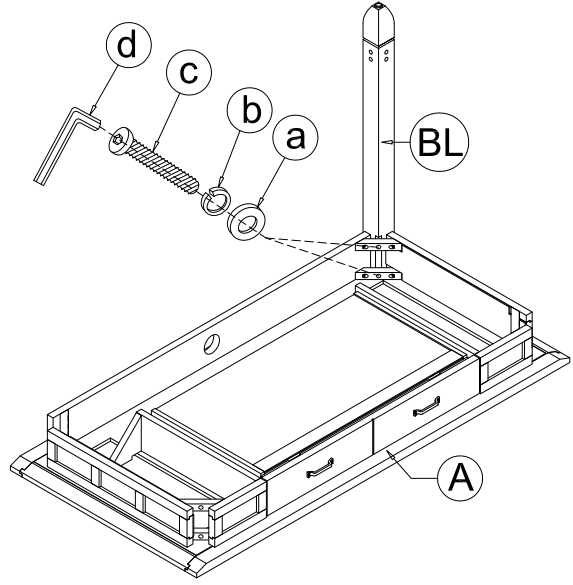
--- 2 ---

Parts List

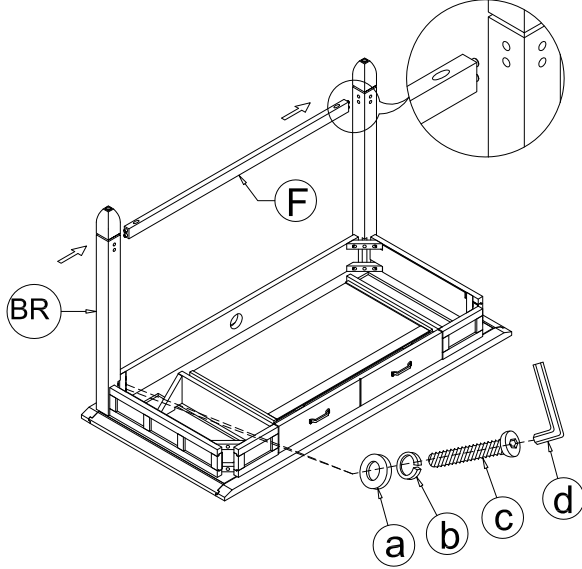
Item	Description	Qty
A	Top	1 PC
B	Leg - FL	1 PC
C	Leg - FR	1 PC
D	Back Legs	2 PCS
E	Side Stretchers	2 PCS
F	Back Stretcher	1 PC

Assembly Instructions

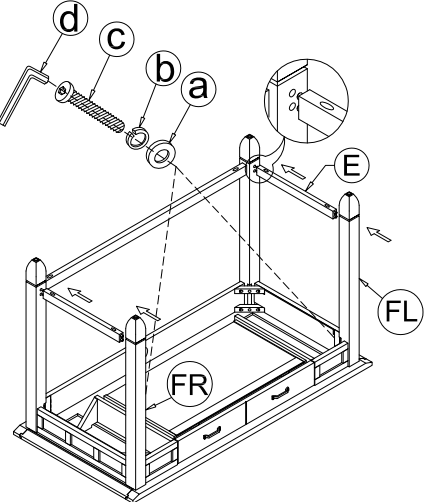
Step 1
Place the top assembly upside down, fasten back left leg with bolts into the top assembly. Make sure the "BL" sticker on leg and top assembly are matched before attaching the leg. Tighten.



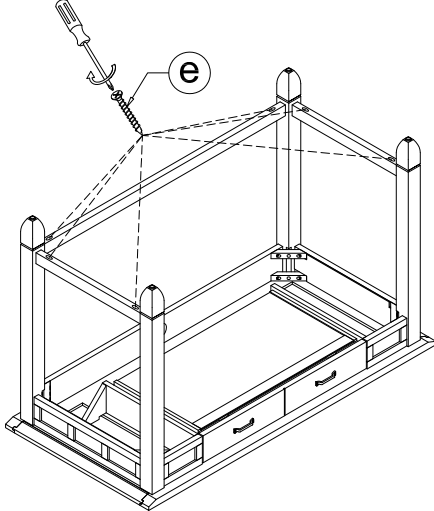
Step 2
Insert the back stretcher into two back legs, and tighten the bolts on back right leg.



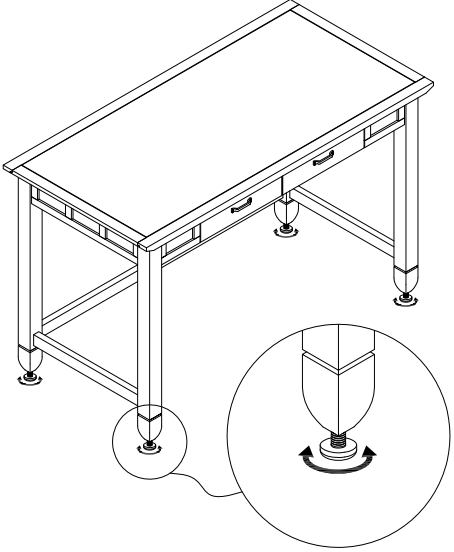
Step 3
Do the same thing as per step two on two sides, and make sure the stickers on front legs match the top assembly before attaching the front legs.



Step 4
Fasten all stretchers into legs with 6 screws.



Step 5
Adjust levelers on bottom of legs.



Wire management hole on back of desk: pull the disk out, run wires, and snap disk back in place.

