

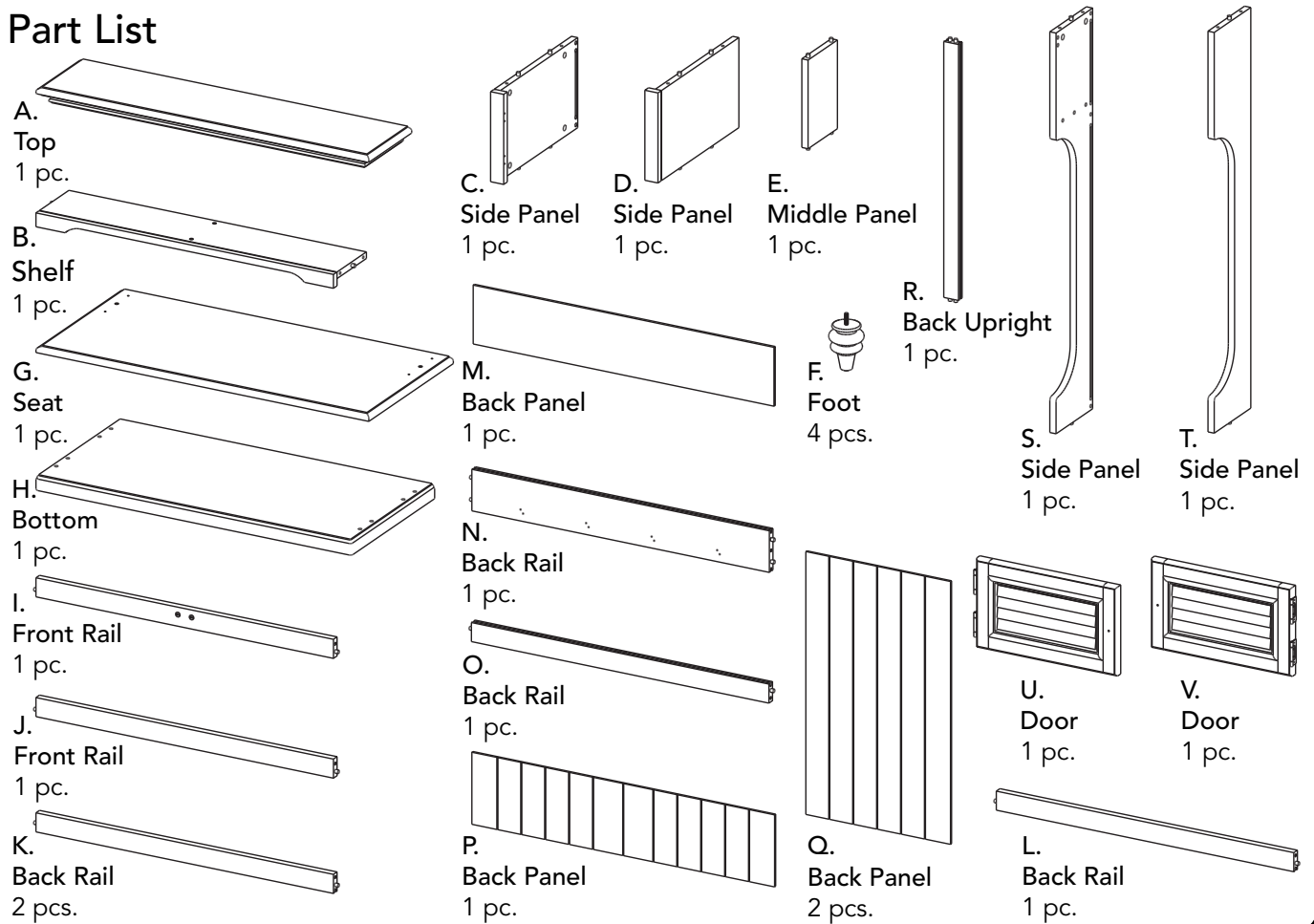
IMPORTANT

Carefully remove all the parts from the carton and place them individually on a soft cloth to prevent scratches or other damage.

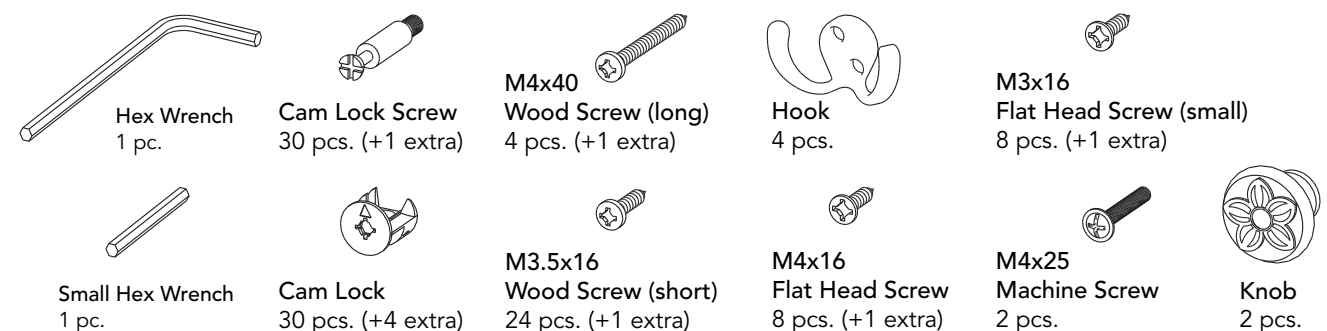
Carefully and strictly follow these assembly instructions to ensure a completed product as designed.

Do not use power tools above 8 volts to assemble.

Part List



Hardware List



Tool(s) required for assembly: Phillips screwdriver, Level, Drill (8 volts or less), 3/8" Drill Bit

Assembly Instructions 2/9

IMPORTANT

- Use a soft cloth between these parts and the floor.
- Do not use power tools above 8 volts to assemble.
- Do not tighten all the bolts until each part is properly assembled.
- The unit must be level to work properly. Use the included adjustable levelers to level.

STEP 1

Place Bottom (H) upside down on a soft cloth.

Attach Feet (F) to Bottom (H).

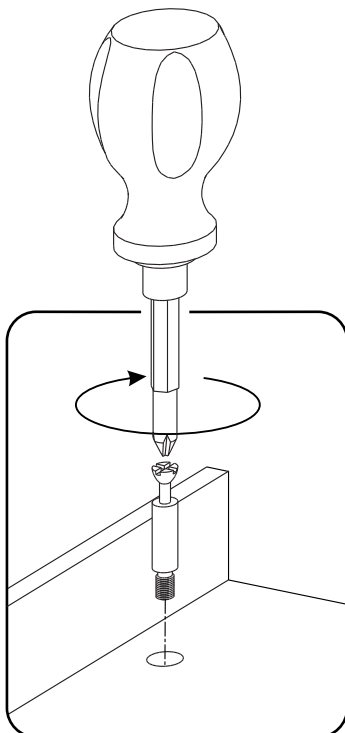
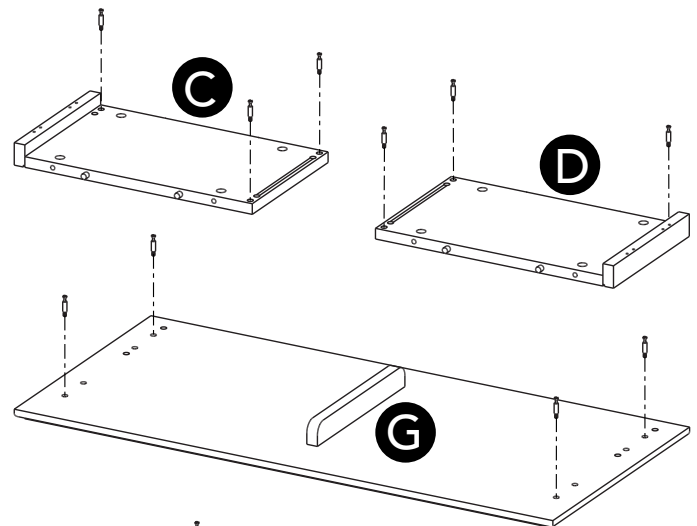
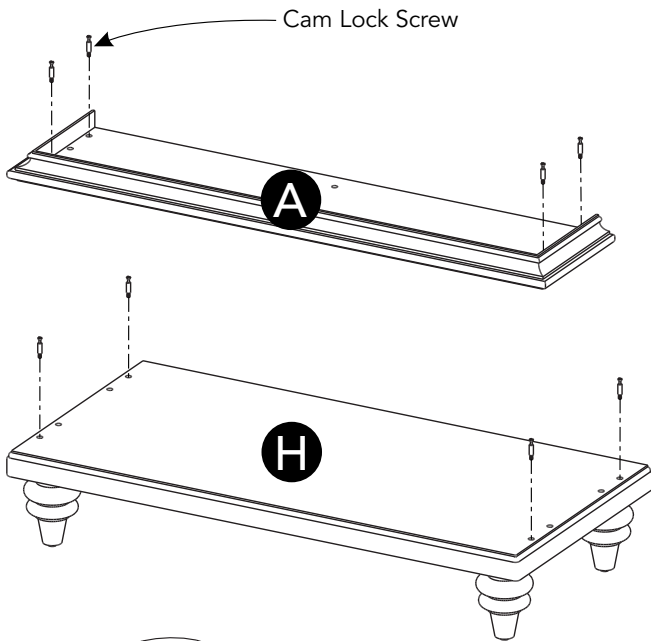
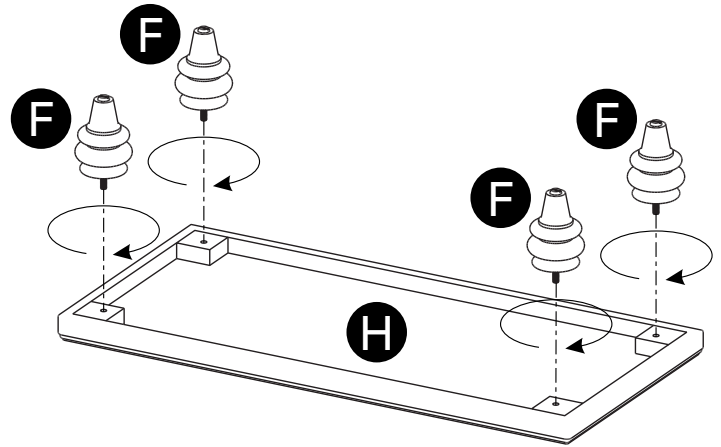
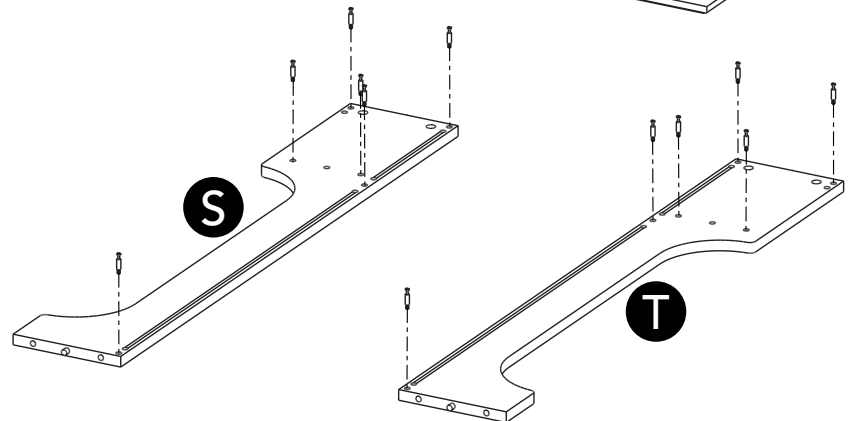


Figure 1



STEP 2

Insert Cam Lock Screws into pre-drilled holes in Top (A), Seat (G), Bottom (H) and Side Panels (C), (D), (S), (T). (See Figure 1)

Assembly Instructions 3/9

STEP 3

Attach Back Rail (K) to Side Panel (D) with Cam Lock.
(See Figure 2)

Slide Back Panel (M) into position.

Attach Back Rail (K) to unit with Cam Lock.

Attach Front Rail (I) to unit with Cam Lock.

Attach Side Panel (C) to unit with Cam Locks.

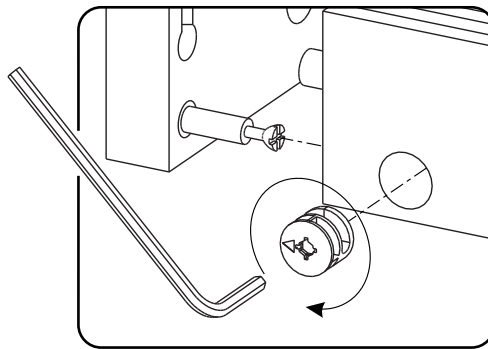
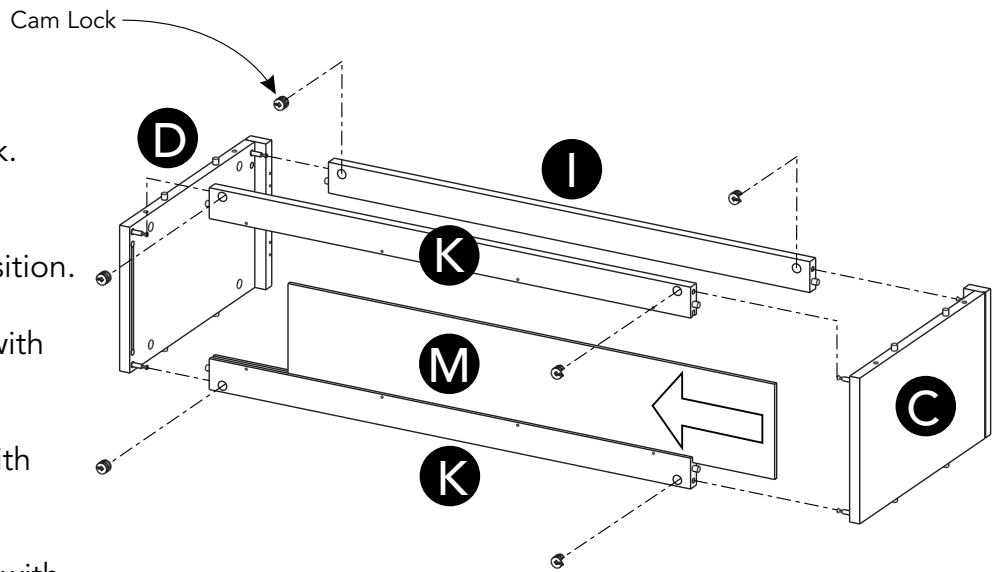
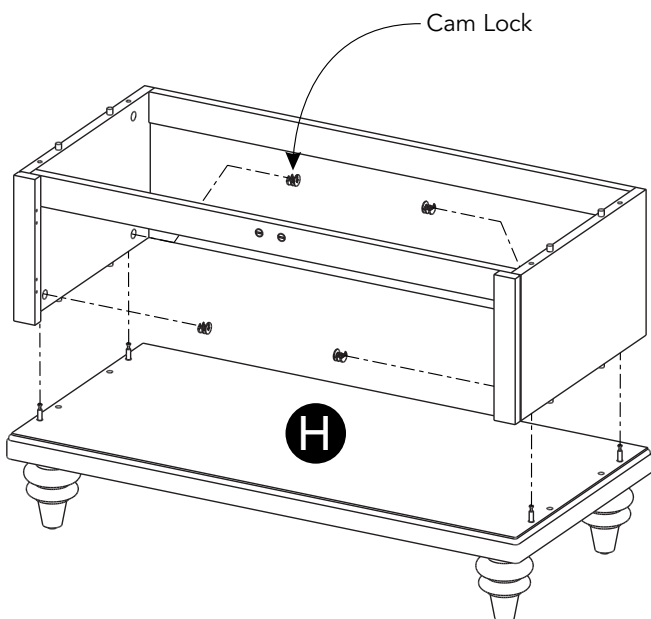


Figure 2



STEP 4

Attach unit to Bottom (H) with Cam Locks.

Assembly Instructions 4/9

STEP 5

Attach Hooks to Back Rail (N) with Flat Head Screws. (See Figure 3)

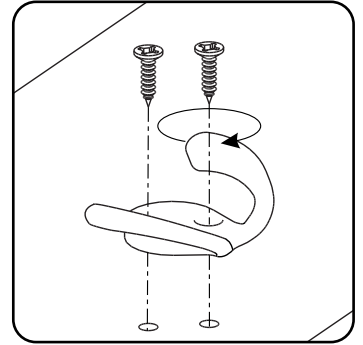
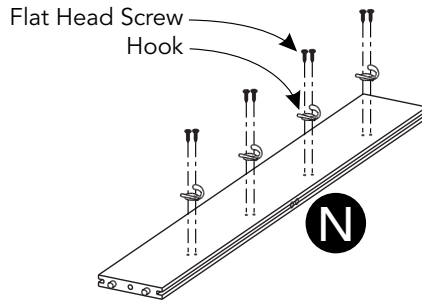
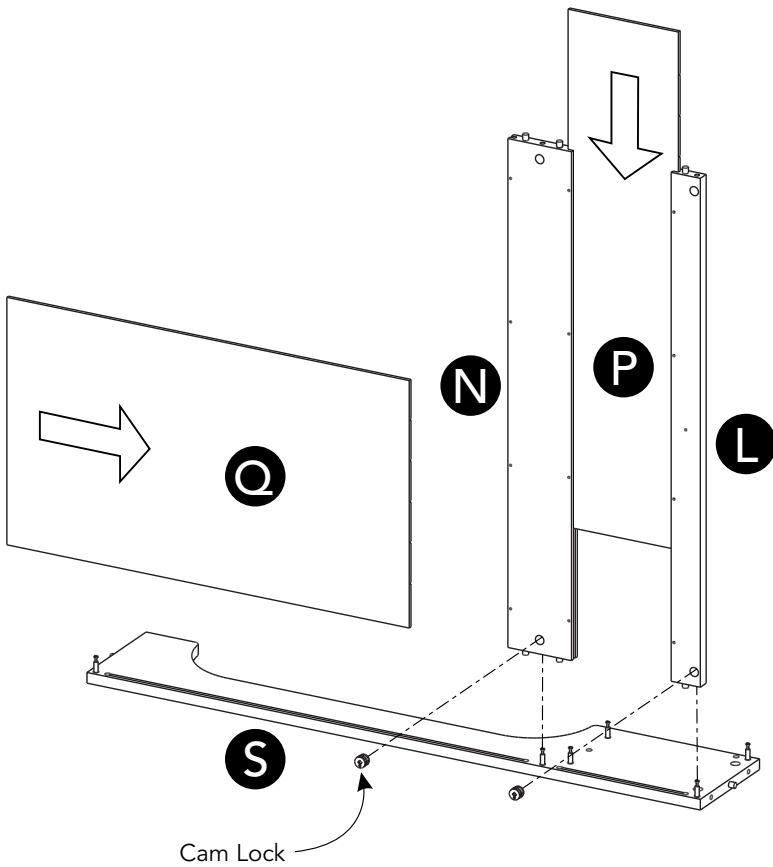


Figure 3



STEP 6

Attach Back Rails (L) and (N) to Side Panel (S) with Cam Locks.

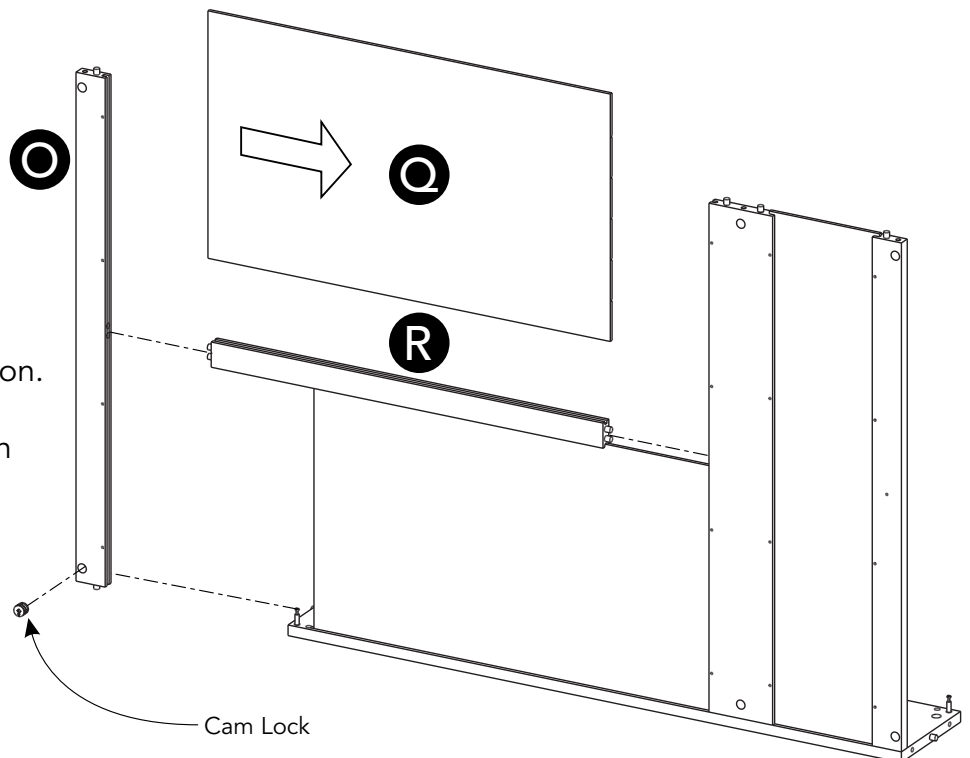
Slide Back Panels (P) and (Q) into position.

STEP 7

Attach Back Upright (R) to unit.

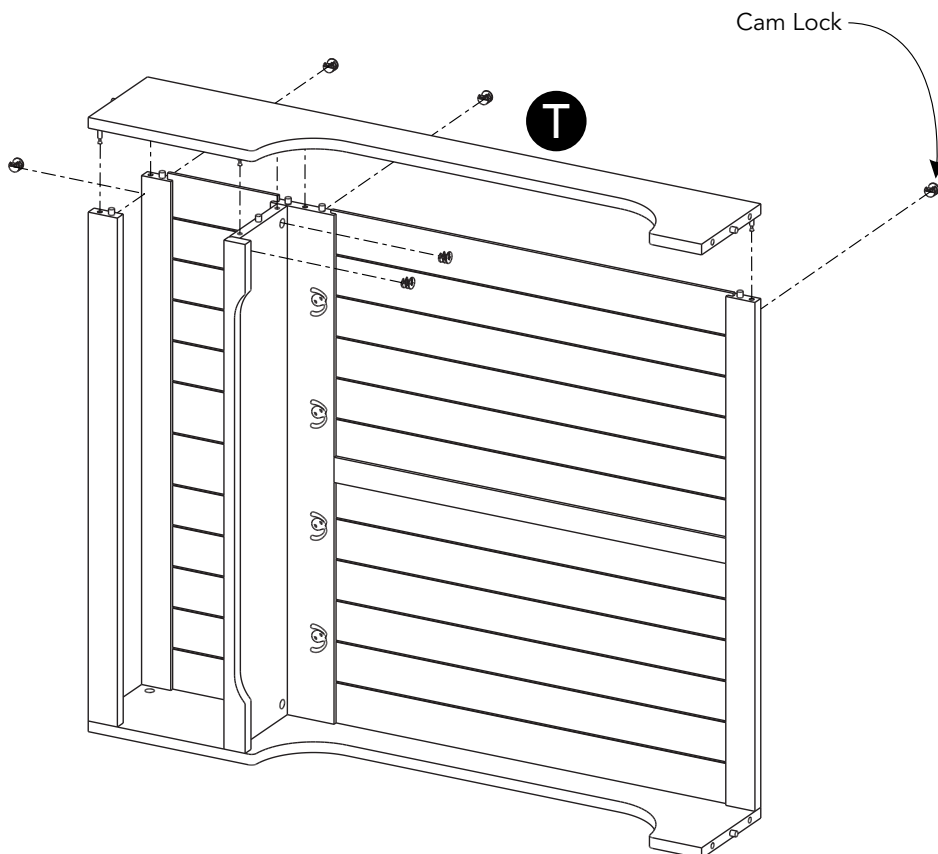
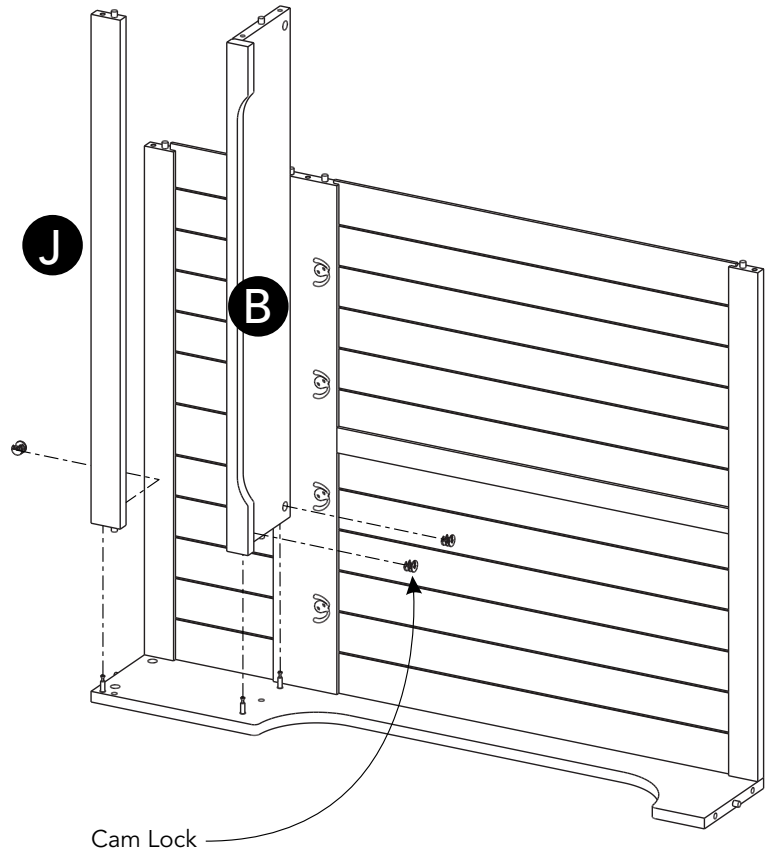
Slide Back Panel (Q) into position.

Attach Back Rail (O) to unit with Cam Lock.



STEP 8

Attach Shelf (B) and Front Rail (J) to unit with Cam Locks.



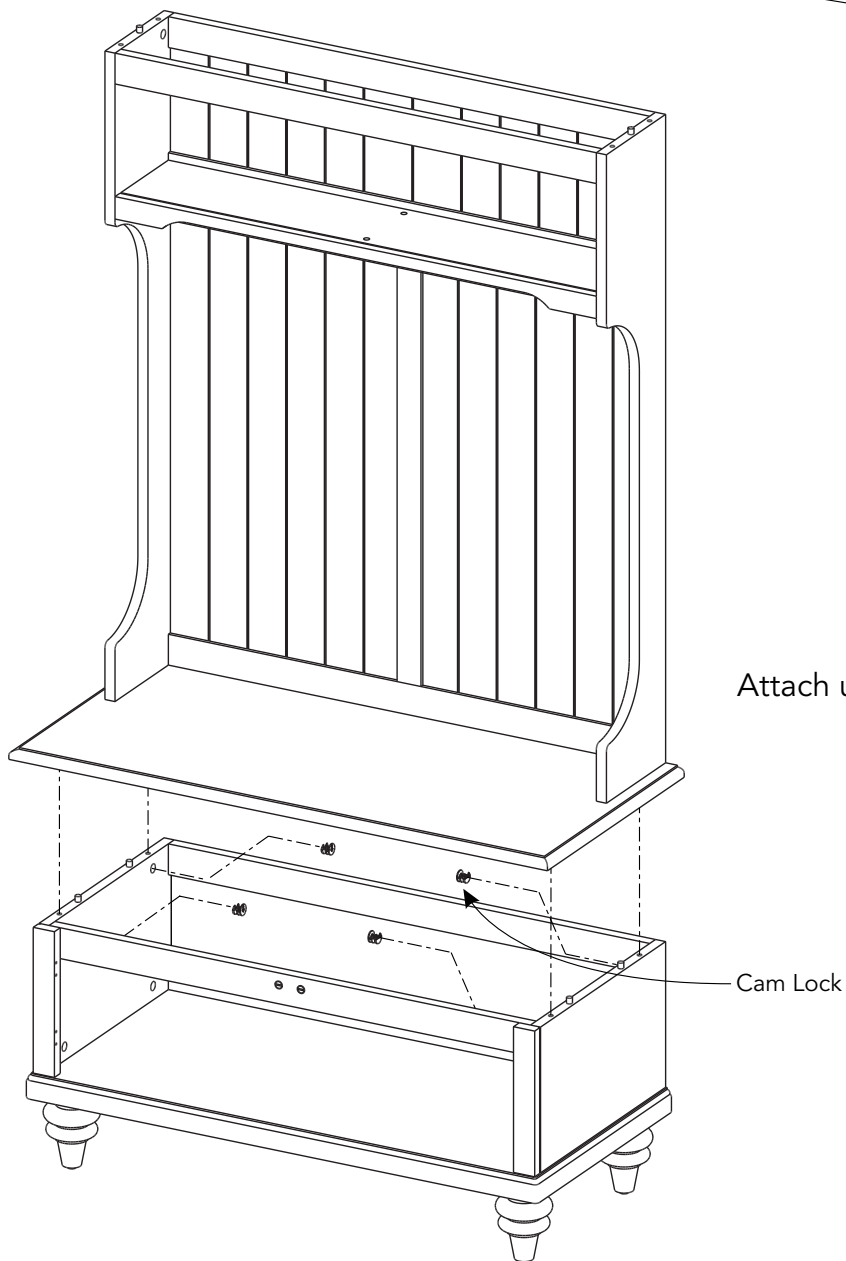
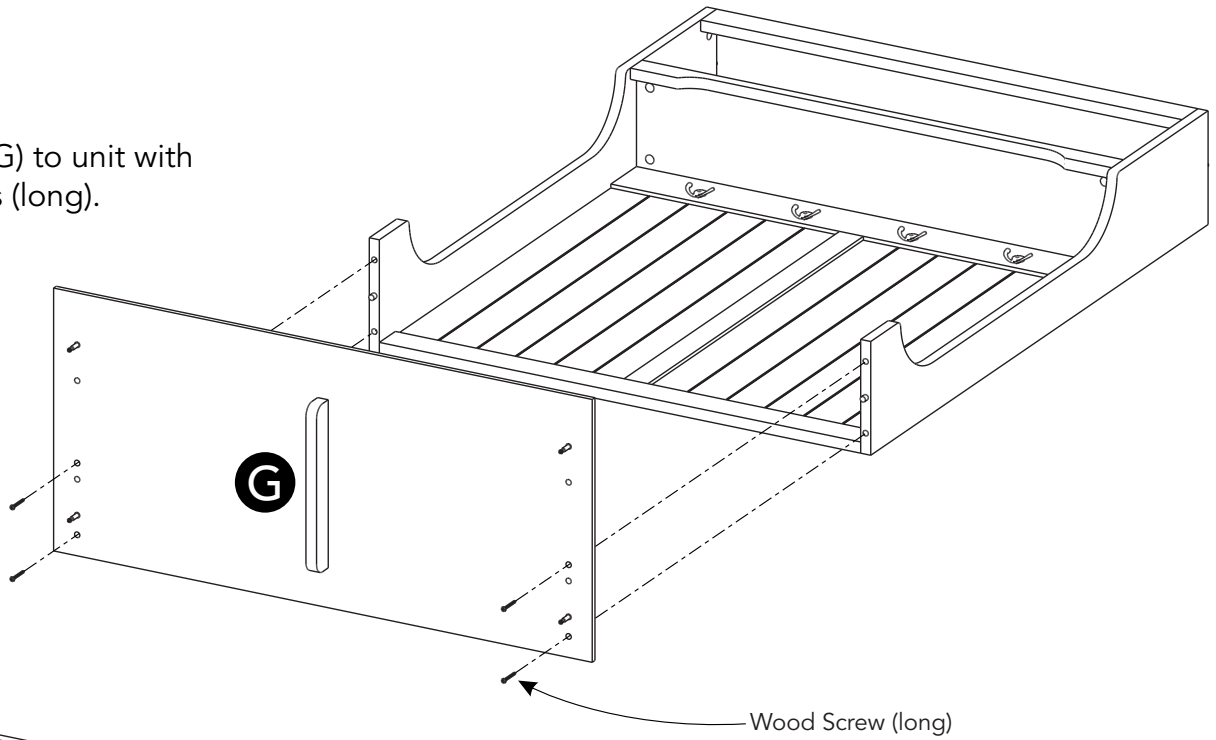
STEP 9

Attach Side Panel (T) to unit with Cam Locks.

Assembly Instructions 6/9

STEP 10

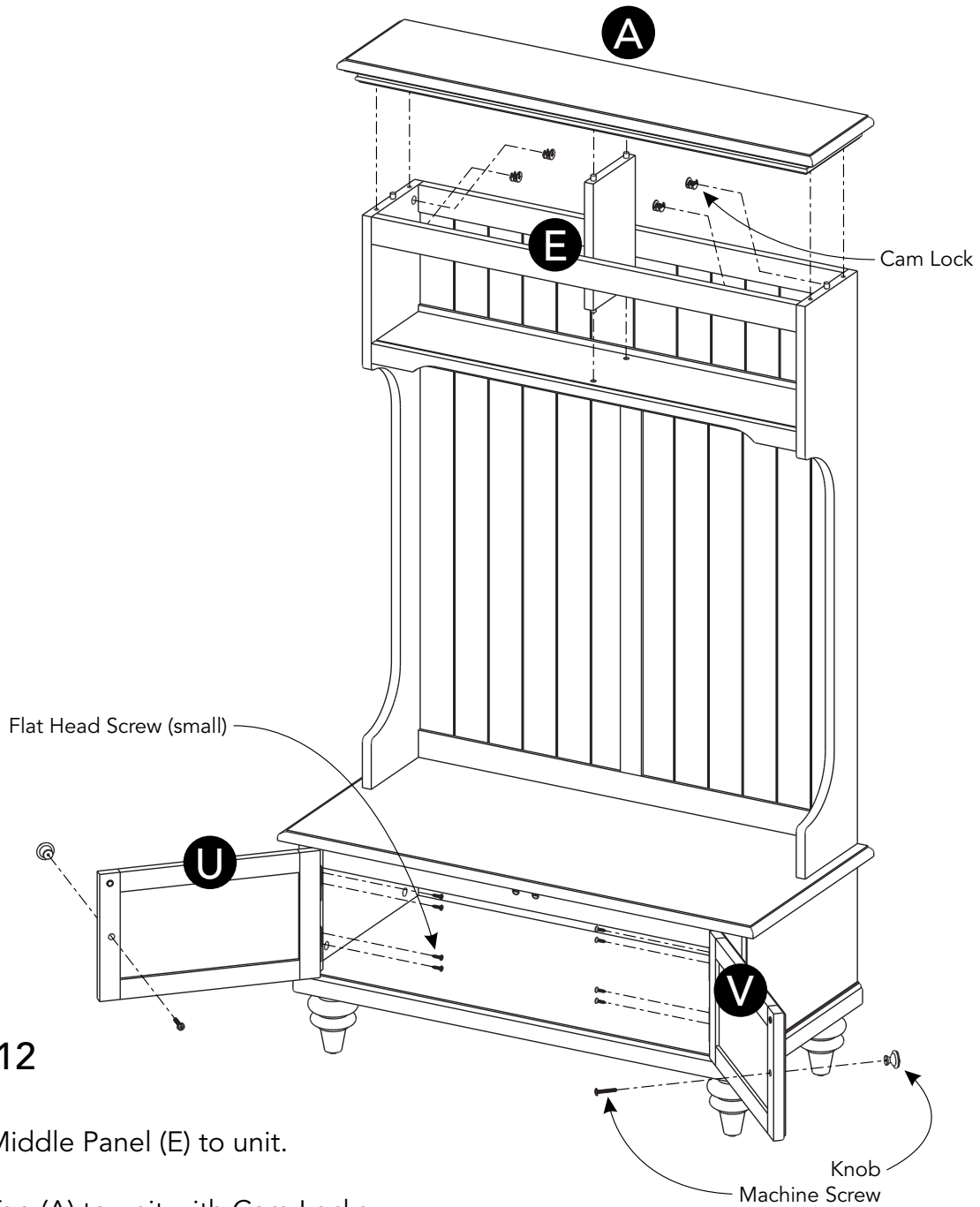
Attach Seat (G) to unit with Wood Screws (long).



STEP 11

Attach unit to unit from Step 4 with Cam Locks.

Assembly Instructions 7/9



STEP 12

Attach Middle Panel (E) to unit.

Attach Top (A) to unit with Cam Locks.

Attach Doors (U) and (V) to unit with Flat Head Screws (small). (See Figure 4)

Attach Knobs to Doors (U) and (V) with Machine Screws. (See Figure 5)

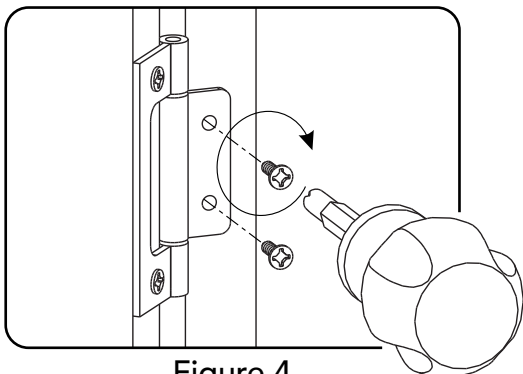


Figure 4

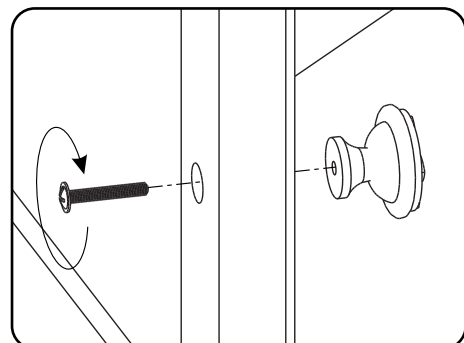
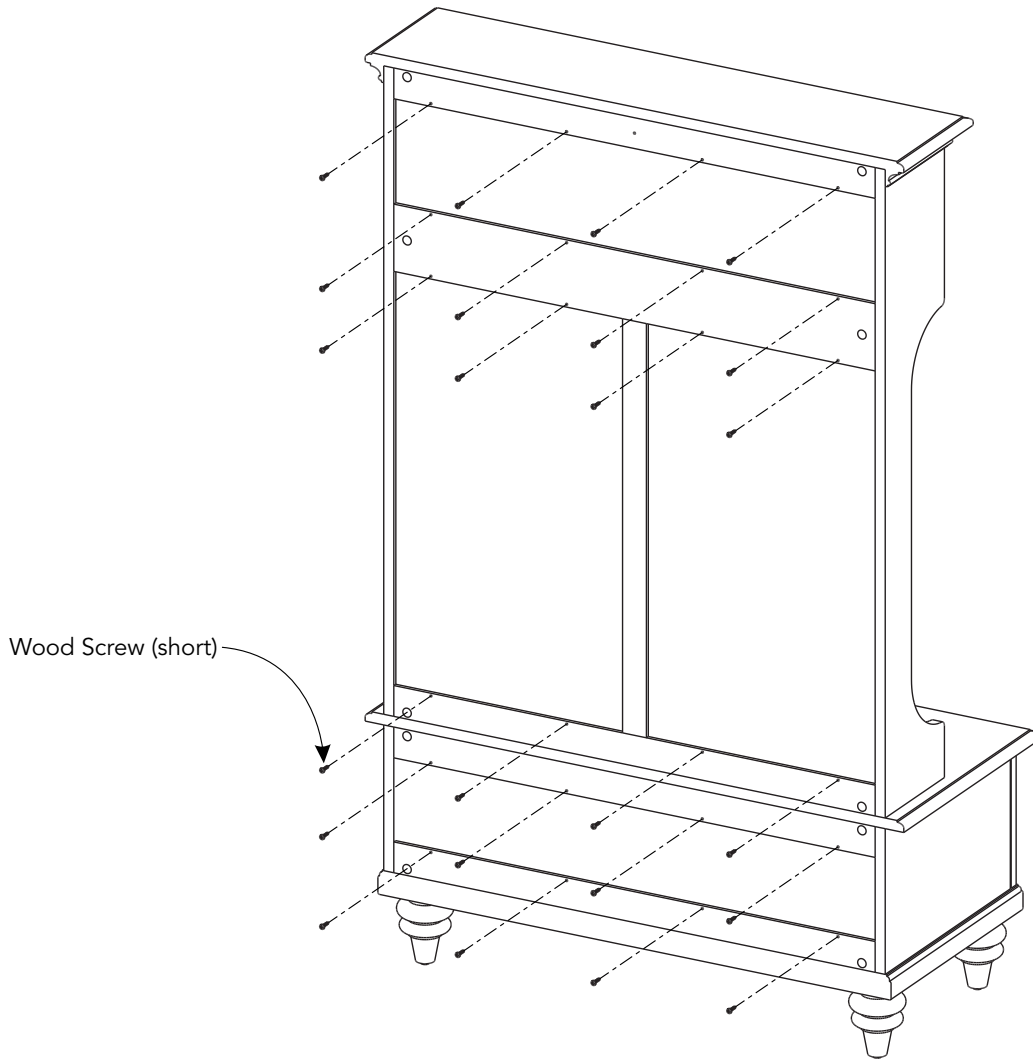


Figure 5



STEP 13

Level unit by adjusting the adjustable levelers on bottom of unit.
(See Figure 6)

Note: Unit must be level to proceed.

Insert Wood Screws (short) into pre-drilled holes in unit, then tighten.

Note: Unit must be level before tightening these screws.

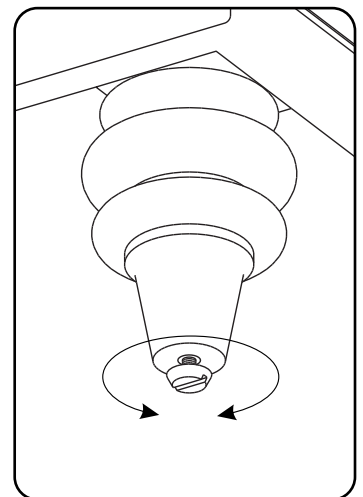


Figure 6

Assembly Instructions 9/9

IMPORTANT

• To help reduce the risk of the unit tipping over, the Tipover Restraint must be installed following these instructions exactly.

STEP 14

Place unit at desired location.

Drill a 3/8" hole in wall in-line with Pre-drilled hole at top of unit.

Move unit.

Insert Anchor into the wall hole and attach Bracket with Wall Screw.

Attach Bracket at pre-drilled hole at top of unit with Wood Screw.

Move unit back into place.

Slide Tipover Restraint through Bracket on wall and Bracket on unit.
(See Figure 7)

Put tie end of Tipover Restraint into lock end of Tipover Restraint and pull until tight.

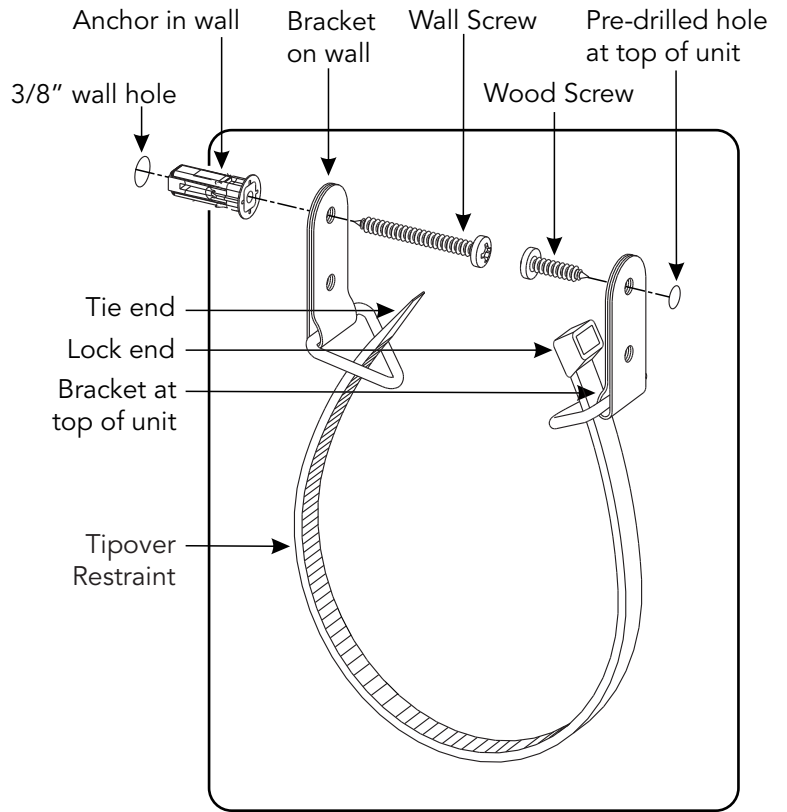
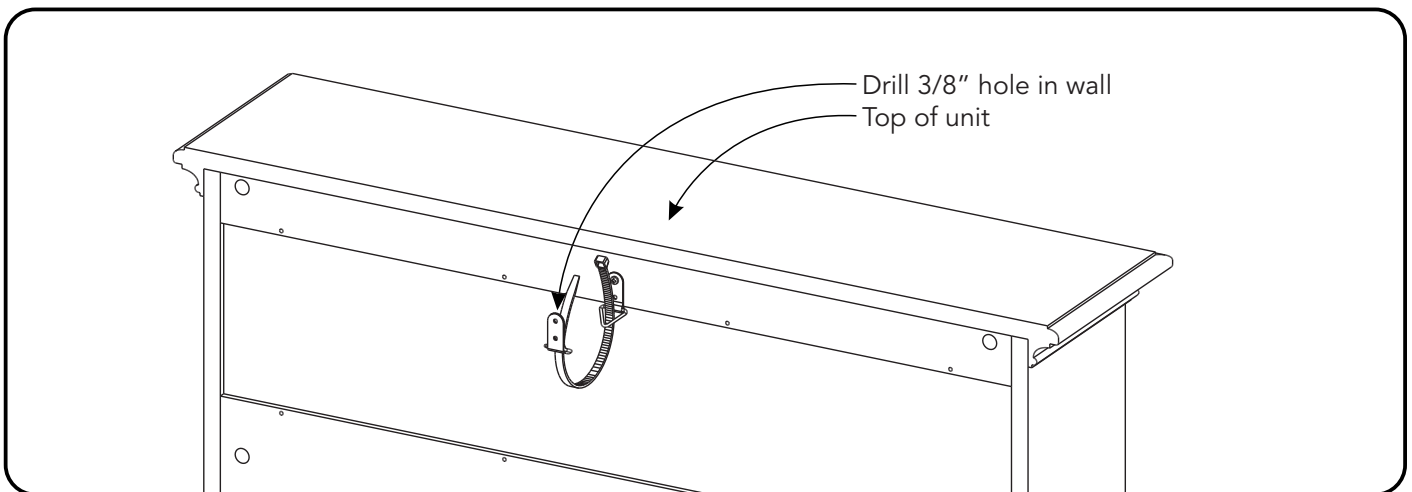


Figure 7



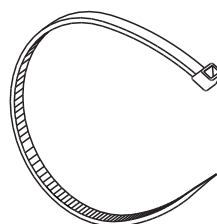
Hardware List



Anchor
1 pc. (+1 extra)



Bracket
2 pcs. (+1 extra)



Tipover Restraint
1 pc. (+1 extra)



M3.5x40
Wall Screw
1 pc. (+1 extra)



M3.5x16
Wood Screw
1 pc. (+1 extra)

CARE INSTRUCTIONS

NEVER

allow liquids to remain on furniture.
Absorption causes parts to warp
and split and finishes to delaminate.

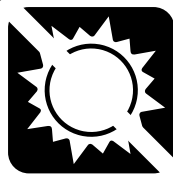
NEVER

use glass cleaners on
finished furniture. Ammonia
chemically attacks the finish.



Do not use power tools
above 8 volts to assemble.

**PREVENT
CRACKING**



Do not place
in direct sunlight.

**PREVENT
FADING**



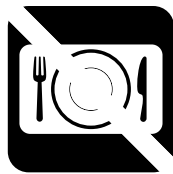
Do not write
directly on surface.

**PREVENT
MARKING**



Do not place hot
objects on surface.

**PREVENT
FINISH DAMAGE**



Do not use rubber
based placemats.

**PREVENT
DISCOLORING**



Do not use commercial
waxes and polishes.

**PREVENT
YELLOWING**

CLEAN

with a soft cloth moistened
in lukewarm soap and water.
Buff with a dry clean cloth.



homestyles will provide replacements free of charge for missing or damaged parts within 30 days of purchase. Digital images of the defective parts may be required. If the product was not purchased from an authorized retailer, **homestyles** is under no obligation to provide replacement parts. Parts are not available for fully assembled items nor are parts available for sale. Replacements for missing or damaged parts may be requested via contact info below.

homestyles Customer Service: www.homestylesfurniture.com,
servicedesk@homestylesfurniture.com, 888-680-7460