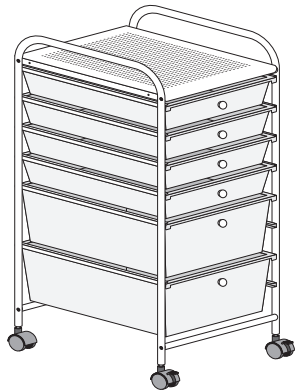




San Diego, CA 92110 USA  
www.ecr4kids.com

**6 Drawer Mobile Organizer**  
Model# ELR-20102-A



**! WARNING:**

**Adult Assembly Required.**

Two adults recommended.

- Contains small parts, sharp points and edges.
- Do not stand, sit, kneel, climb, lean or pull on unit for support.
- Never leave children unattended.
- Do not place unit near high heat or moisture.
- Adult supervision recommended.

**TOOLS INCLUDED**

- Hex Tool (1)



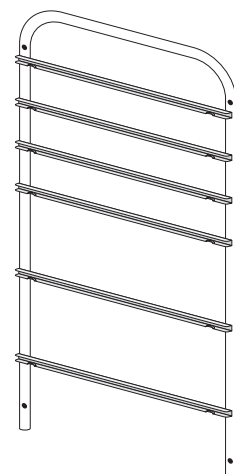
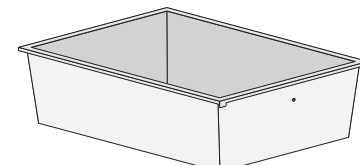

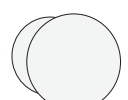
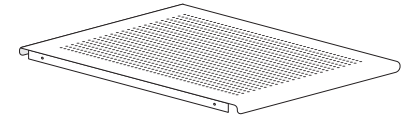
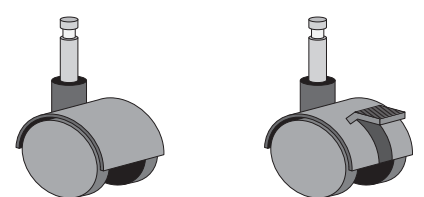
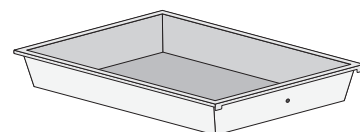

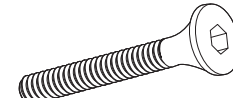
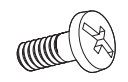
**TOOLS NEEDED**

- Phillips Screwdriver



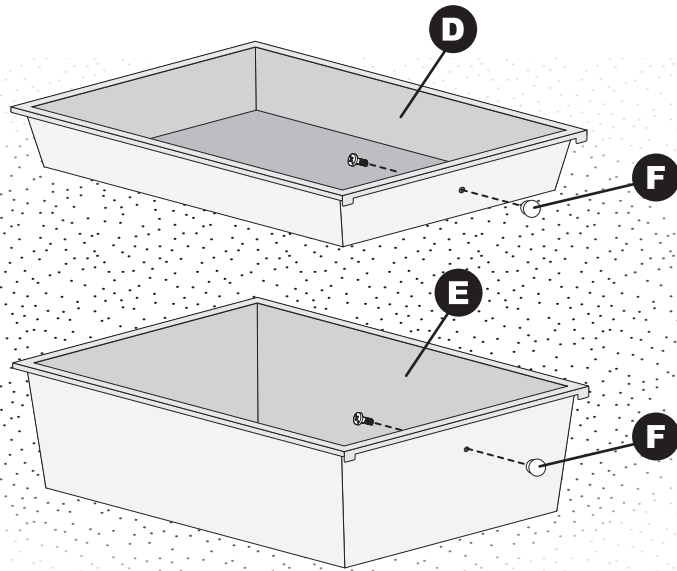
**Parts List**

BEFORE ASSEMBLING, MAKE SURE YOU HAVE ALL THE PARTS

<p><b>A</b> Side Frames (2)</p> 	<p><b>E</b> Deep Drawers (2)</p> 
<p><b>B</b> Crossbars (4)</p> 	<p><b>F</b> Knobs (6)</p> 
<p><b>C</b> Top Shelf (1)</p>  <p><i>Batch ID Sticker located on underside</i></p>	<p><b>G</b> Casters &amp; Locking Casters (2/2)</p>  <p>G1 G2</p>
<p><b>D</b> Drawers (4)</p> 	<p><b>H</b> Curved Washers (8)</p> 
<p><b>I</b> Hex Screws (8)</p>  <p><i>Use the Hex Tool</i></p>	<p><b>J</b> Phillips Screws (6)</p>  <p><i>Use a Phillips Screwdriver</i></p>

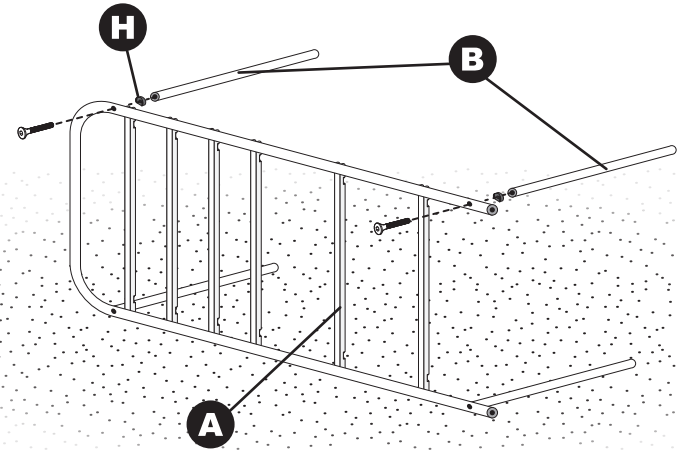
## 1 Install the Knobs onto Drawers

Install the **Knobs (F)** onto the **Drawers (D)** & **Deep Drawers (E)** with the **Phillips Screws (J)** using a Phillips screwdriver.



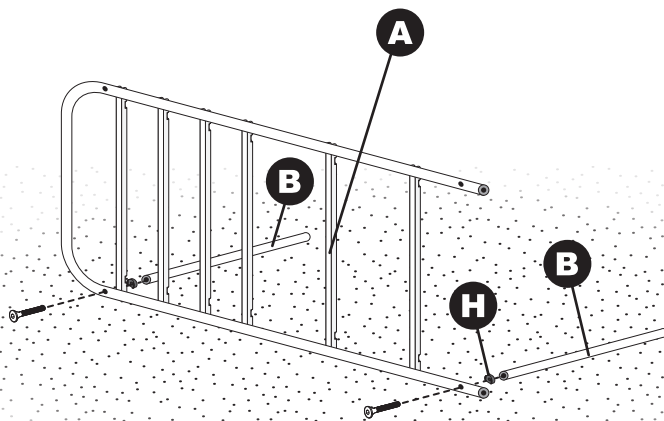
## 3 Install Front Crossbars

Install the front **Crossbars (B)** onto the **Side Frame (A)** with two **Hex Screws (I)** using the Hex tool. Add two **Curved Plastic Washers (H)** in between the Crossbars and Side Frame (with the flat side toward the crossbar and the curved edge matching the side frame curve).



## 2 Install Rear Crossbars

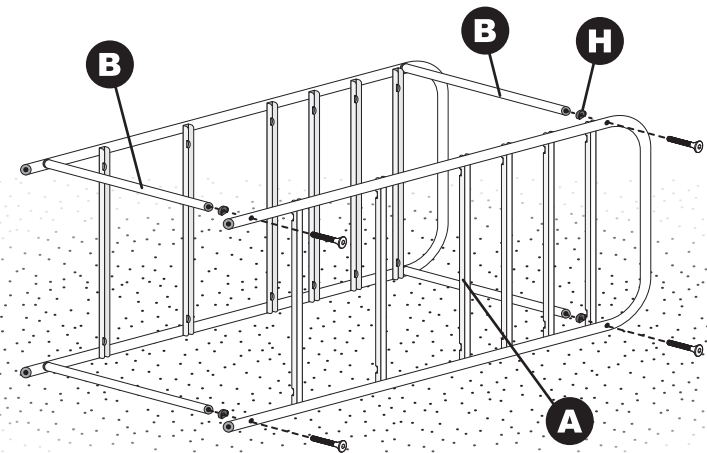
Install the rear **Crossbars (B)** onto a **Side Frame (A)** with two **Hex Screws (I)** using the Hex tool. Add two **Curved Plastic Washers (H)** in between the Crossbars and Side Frame (with the flat side toward the crossbar and the curved edge matching the side frame curve).



## 4 Install the Right Side Frame

Install the **Right Side Frame (A)** onto the **Upper/Lower Crossbars (B)** with four **Hex Screws (I)** using the Hex tool. Add four **Curved Plastic Washers (H)** in between the Crossbars and Side Frame (with the flat side toward the crossbar and the curved edge matching the side frame curve).

**Note:** Making sure that the drawer rails are facing and align with each other.



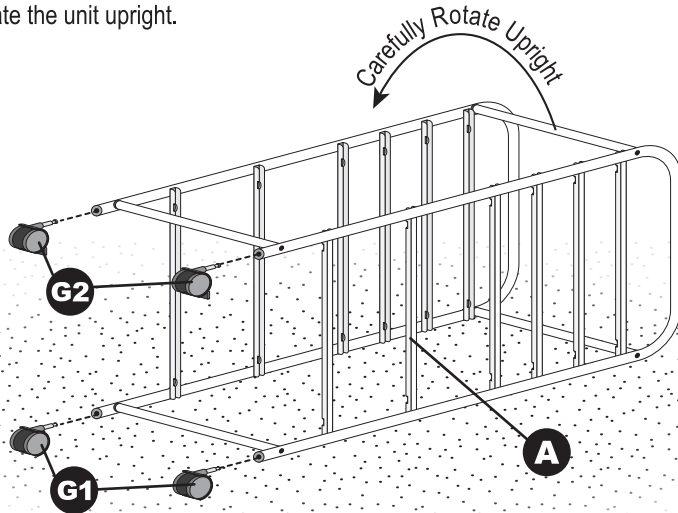
See Next Page

## 5 Insert the Casters

Insert the **Casters & Locking Casters (G1/G2)** into the ends of the **Side Frames (A)** until they click into place.

**Tip:** Cart is symmetrical, place both **Locking casters** on the same side.

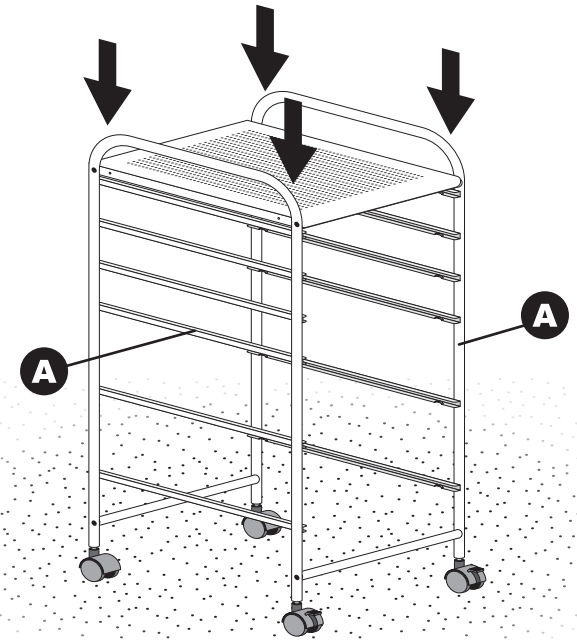
Carefully rotate the unit upright.



## 7 Square the Frame

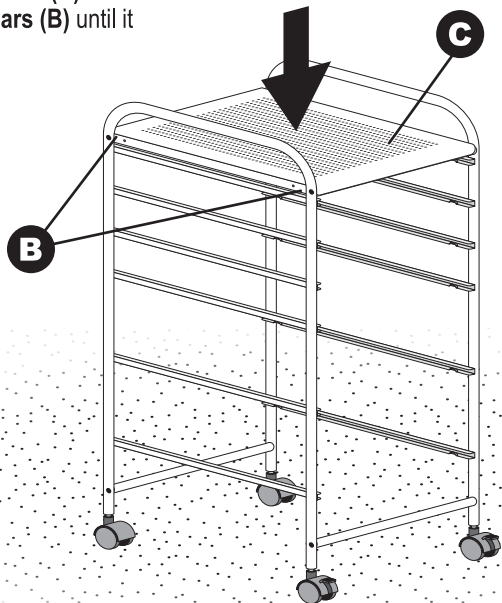
With the **Top Plate** installed, place the cart on a firm level surface, press downward on the tops of the **Side Frames (A)** to make sure that all casters are in contact with the surface.

Perform a final tightening of **Hex Screws (H)** to ensure stability.



## 6 Connect the Top Shelf onto Crossbars

Connect the **Top Plate (C)** onto the Upper **Crossbars (B)** until it snaps into place.

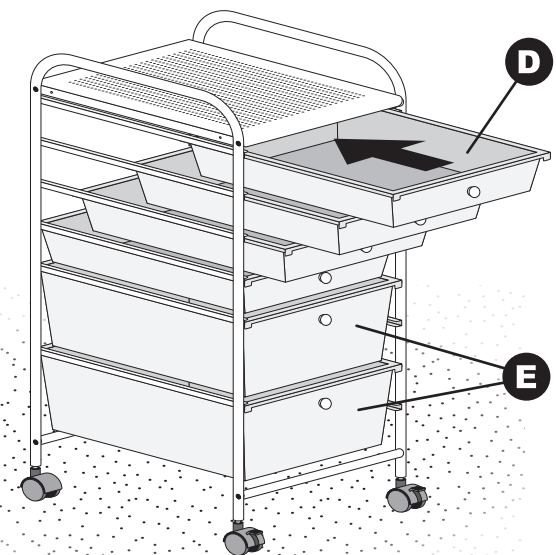


## 8 Insert the Drawers into the Rails

Place the **Drawers & Deep Drawers (D/E)** into the drawer rails with the upper lip of the drawers inside of the rails, make sure that each drawer is properly placed into the rails, so they slide back and forth smoothly.

Tape or place **Hex Tool** into one of the drawers for future use. If your **6 Drawer Mobile Organizer** starts to wobble, lean, or sway; re-tighten all hex screws.

Cart capacity is 23 kg / 50 lb.



See Next Page



---

We appreciate your purchase of the 6 Drawer Mobile Organizer. ECR4KIDS has made every effort to supply a quality product that with proper use and care, will provide many years of trouble-free use.

---

If you experience any difficulties with this product, please email us at [ecrcs@ecr4kids.com](mailto:ecrcs@ecr4kids.com) or call toll-free at (855) ECR-4KIDS (Monday - Friday, 7:00am - 4:00pm Pacific Standard Time)

**Please do not return** to place of purchase as ECR4KIDS will replace defective part(s) and/or product.

---

**Warranty:** Visit our website for product specific warranty information at: [www.ecr4kids.com](http://www.ecr4kids.com)

**Care and Cleaning**

Clean unit with a damp cloth or sponge using warm water and mild soap. Wipe dry.

Do not place near heat, moisture or vaporizer which may cause panels to warp and peel.

Check for loose or worn parts periodically and tighten or replace as necessary.

**Record the manufacture date here.  
Information is located on the Batch ID sticker and on the shipping carton.  
Save this sheet in an accessible place.**

**Model Number:** ELR-20102-A

**Factory Code:** AM

**Manufacture Date:** \_\_\_\_\_

**Batch ID Number:** \_\_\_\_\_  
(Located on Part C)