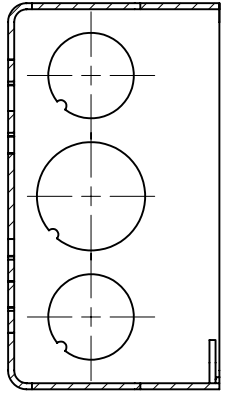
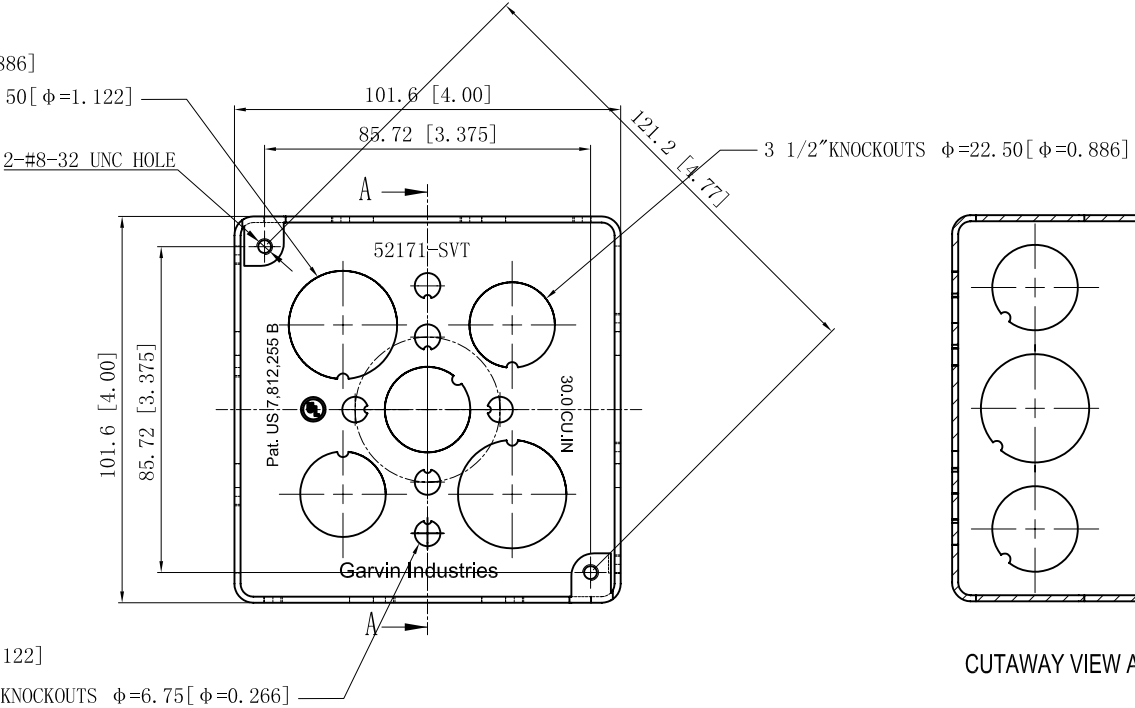
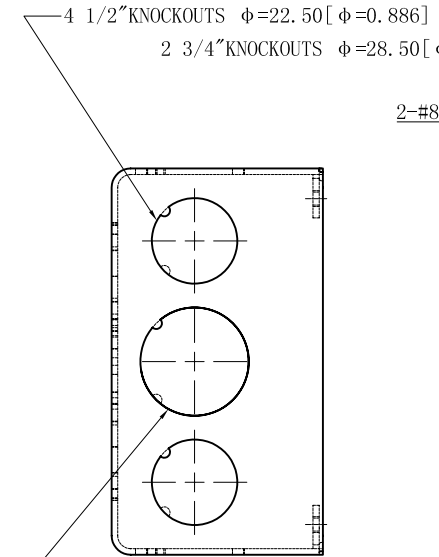
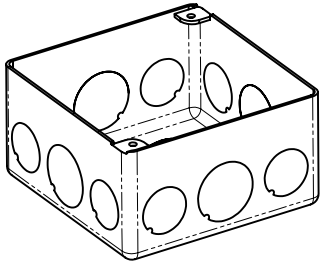
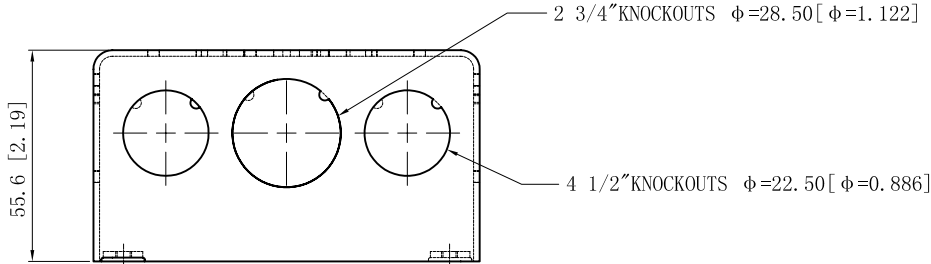


SIDES	BOTTOM
8 1/2" KNOCKOUTS	6 KNOCKOUTS
4 3/4" KNOCKOUTS	3 1/2" KNOCKOUTS
	2 3/4" KNOCKOUTS
Material: Steel-0.0625"-G60 Galvanized	



CUTAWAY VIEW A-A

DESCRIPTION
Patent #: Pat. US 7,812,255 B
TRADE REFERENCE TERMS

STANDARD PACKING
25 PCS

This data sheet is for reference only. GARVIN INDUSTRIES reserves the right to make changes to the design without prior notice.

GARVIN INDUSTRIES			
4" SQUARE BOXES 2-1/8" DEEP			
SIZE	DWG NO.		REV
A4	52171-SVT		C
DATA SHEET			