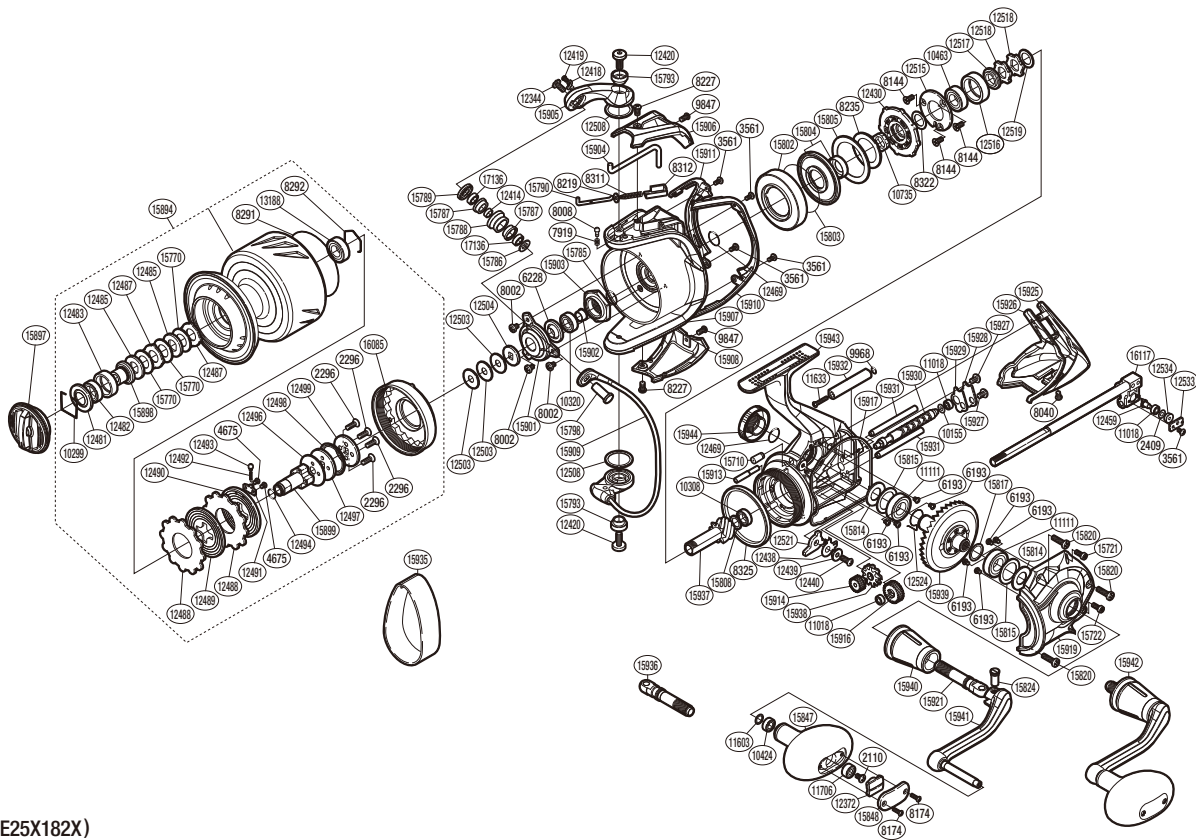


SHIMANO

STELLA

STLSW-18000HG



(51SE25X182X)

#	Part No.	Description	#	Part No.	Description	#	Part No.	Description
2110	103E9	Screw	12482	10KX7	Ball Bearing	15824	10A9U	Handle Shaft Screw
2296	10MLB	Screw	12483	10LWS	Thrust Bushing	15847	102KE	Handle Knob
2409	10S9U	Washer	12485	10BA1	Key Washer	15848	108T1	Handle Knob I.D. Plate
3561	10MT4	Screw	12487	10BEB	Eared Washer	15894	10HQF	Spool Assembly
4675	10LV7	Screw	12488	10C18	Drag Washer	15897	102E5	Drag Knob
6193	10MGG	Screw	12489	10BS6	Spool Drag Disk	15898	10LWL	Bearing Support
6228	107F5	Bearing Water Proof	12490	10BY2	Spool Drag Disk	15899	10LTZ	Bearing Bushing
7919	1077Q	Click Spring	12491	109ZN	Click Spring Holder	15901	10K31	Nut Lock Plate
8002	10LZ2	Screw	12492	10JMG	Click Spring	15902	1072T	Main Shaft Spacer
8008	10CH8	Click Pin	12493	10382	Click Pin	15903	10810	Rotor Nut
8040	10MHG	Screw	12494	108WQ	O Ring	15904	106KJ	Bail Trip Lever
8144	10ML2	Screw	12496	10P3G	Spool Support C	15905	10KHB	Bail Arm
8174	103NM	Screw	12497	103P2	Spool Support A	15906	1087W	Bail Spring Cover
8219	10HD9	Spring Guide A Support	12498	10JPG	Bearing Water Proof	15907	10PY5	Rotor
8227	10CYT	Screw	12499	10HZZ	Spool Support B	15908	10MN9	Bail Hold Support Guard
8235	10L5Y	Roller Clutch Reinforce	12503	10BXM	Spool Washer	15909	106ZB	Bail Assembly
8291	108WD	O Ring	12504	10J3W	Spool Support D	15910	10745	Rotor Guard A
8292	10LWM	Bearing Retainer	12508	10J7H	Washer	15911	107AH	Rotor Guard B
8311	105FZ	Bail Spring	12515	1054W	Bearing Retainer	15913	10CLR	Idle Gear B Shaft
8312	1077E	Bail Spring Seat	12516	10JA9	Bearing Housing	15914	106RG	Idle Gear B S
8322	10HHM	Washer	12517	10BAE	Pinion Gear Collar	15916	10HBM	Idle Gear
8325	104AZ	Friction Ring	12518	107VM	Anti-Reverse Ratchet	15917	10CD9	Body Seal
9847	10CYU	Screw	12519	10HHP	Washer	15919	1049H	Side Cover
9968	108W9	O Ring	12521	10J3S	Assist Anti-Reverse Pawl	15921	10F8D	Handle Shaft (Left)
10155	10HWN	Spacer	12524	10805	Anti-Reverse Pawl Spring	15925	10NKQ	Rear Protector
10299	10B6K	Drag Washers Retainer	12533	10H7S	Oscillating Pawl Cover	15926	107HG	Rear Shield
10308	104PN	Ball Bearing	12534	10JV4	Oscillating Slider Bushing	15927	103H7	Screw
10320	104JC	Ball Bearing	13188	10BGD	Ball Bearing	15928	10AT8	Worm Shaft Retainer
10424	105BN	Ball Bearing	15710	10AYR	Body Flange Seal	15929	10H47	Worm Shaft Retainer Washer
10463	10BGC	Ball Bearing	15721	10A6N	Screw	15930	10821	Worm Shaft
10735	105B6	Stopper	15722	10A6P	Screw	15931	1035E	Oscillating Guide
11018	10PDA	Ball Bearing	15770	10344	Drag Washer	15932	10AYM	Rear Protector Collar
11111	104PV	Ball Bearing	15785	10CG0	O Ring	15937	10BYS	Pinion Gear
11603	10HV3	Washer	15786	107F1	Line Roller Support Collar	15938	10CNP	Idle Gear B L
11633	10LSC	Screw	15787	107RM	Line Roller Bushing	15939	10AAP	Drive Gear
11706	10KX1	Ball Bearing	15788	10KUU	Line Roller	15940	10NHJ	Handle Shaft Cover
12344	10K46	Screw	15789	1079Z	Line Roller Plate	15941	106SJ	Handle Shank Assembly
12372	10B97	Handle Knob Seal	15790	105YX	Bail Spring Guide A	15942	10HLL	Handle Assembly
12414	10GAG	Bearing Spacer	15793	10K7M	Screw Collar	15943	1034Y	Body
12418	107LE	Screw Retainer	15798	10Q3F	Line Roller Support	15944	10N47	Handle Screw Cap
12419	107LF	Screw Support	15802	10HFY	Roller Clutch Cover	16085	10NF8	Drag Cover
12420	10Q86	Screw	15803	10MLQ	O Ring	16117	10NF4	Main Shaft Assembly
12430	10QRF	Roller Clutch Assembly	15804	10QRN	Roller Clutch Water Proof Set	17136	104K5	Ball Bearing
12438	102VH	Anti-Reverse Pawl Cover	15805	10HG0	Roller Clutch Seal			
12439	10J3U	Anti-Reverse Pawl Collar	15808	10GFD	Washer			
12440	103HM	Screw	15814	10CD2	Bearing Water Proof			
12459	106V5	Oscillating Pawl	15815	10BGG	Washer	15935	109UX	Line Band L (Accessory)
12469	108WP	O Ring	15817	105U4	Washer	15936	10FHV	Handle Shaft (Right) (Accessory)
12481	10LQZ	Seal Plate	15820	10PVN	Screw	16003	10LQ1	Ssr0-01 Oil (Accessory)

Please note that the number of adjusting washers may not be the same as shown in the exploded views.
(Adjustment will vary with each individual product.)

(241211)_002