



Item No: TD-11740A

Fantasy Fields - Enchanted Woodland Set of 2 Chairs

WARNING

Small parts and sharp points may be present prior to assembly.

CARE INSTRUCTIONS

To clean your product, use mild soap and water on a damp cloth. Do not use window cleaners or cleaning abrasives as they will scratch the surface and could damage the protective coating.

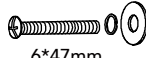
CUSTOMER SERVICE

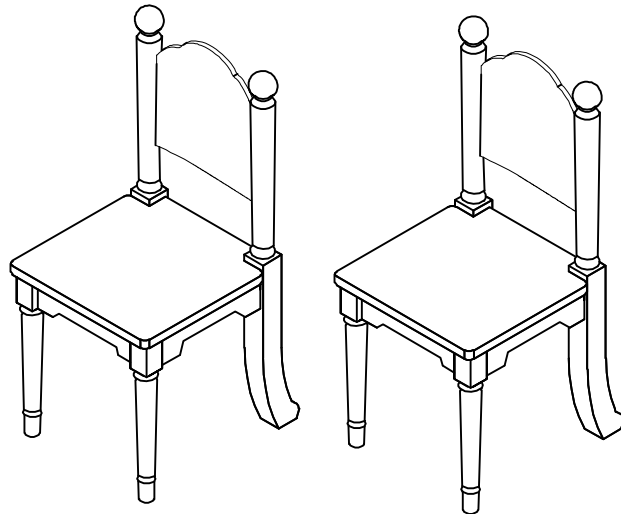
For questions regarding this product, or to receive replacement or missing parts, please contact customer service based on your location. Please have ready the model number and part number(s) located in this assembly instruction sheet when you contact us.

Made in China

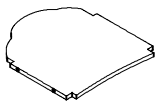
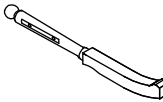
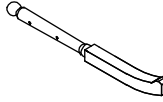
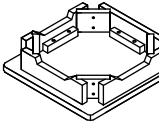

HARDWARE

①  8 PCS
4*35mm


②  16 SETS
6*47mm

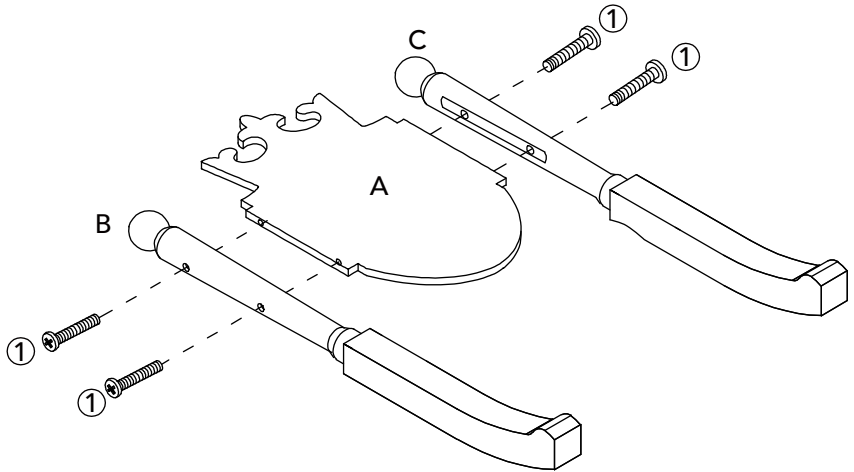


PRODUCT PARTS


<p>A</p>  <p>2PCS</p>	<p>B</p>  <p>2PCS</p>	<p>C</p>  <p>2PCS</p>	<p>D</p>  <p>2PCS</p>	<p>E</p>  <p>4PCS</p>
--	--	--	--	--

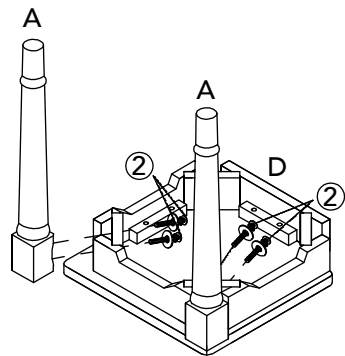
STEP1

①  4*35mm 4PCS




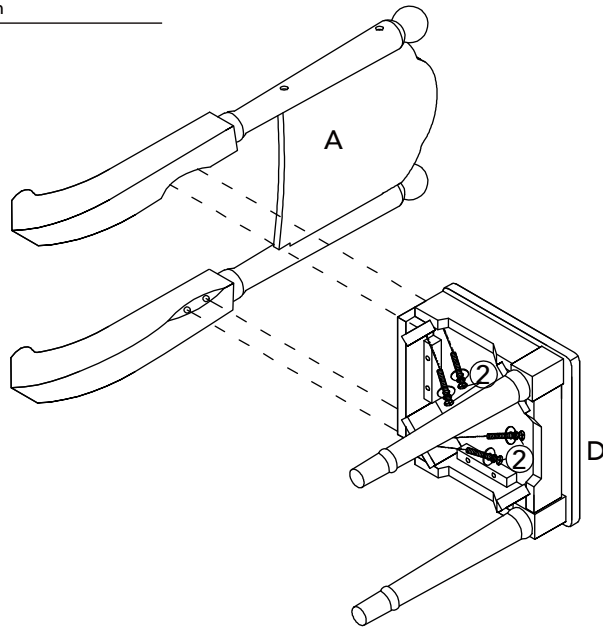
STEP2

②  6*47mm 4SETS



STEP3

②  4SETS
6*47mm



STEP4

