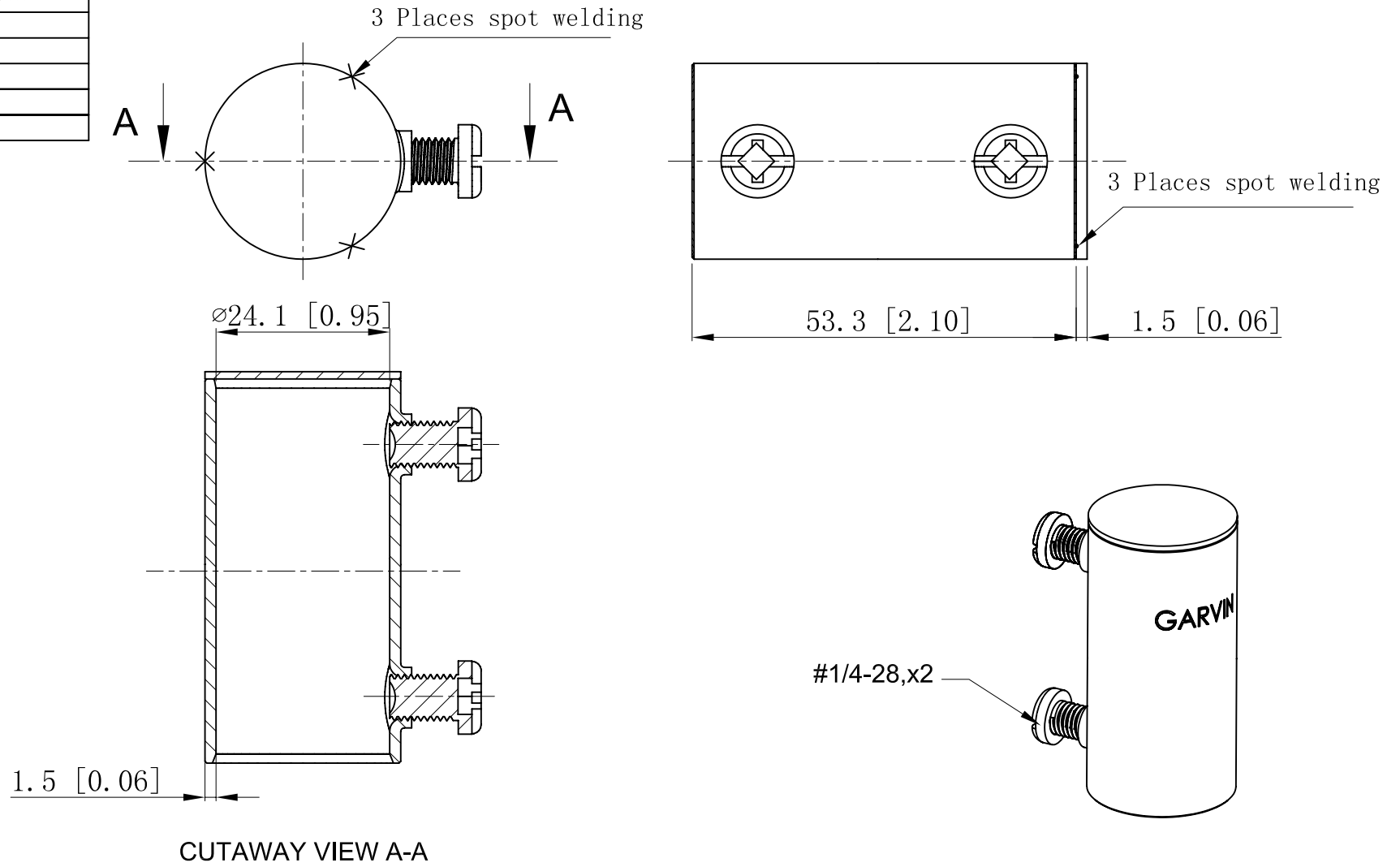


SIDES	BOTTOM
2 PCS #1/4-28×3/8 Screws Installed	
Material:Steel-WELDING TUBE Zinc Plated	



This data sheet is for reference only .GARVIN INDUSTRIES reserves the right to make changes to the design without prior notice.

DESCRIPTION
TRADE REFERENCE TERMS

STANDARD PACKING
50 Pcs

<b>GARVIN INDUSTRIES</b>			
TITLE STEEL EMT SETREW COUPLINGS END CAPS TAMPERPROOF			
SIZE A4	DWG NO. CAPE75	REV C	
DATA SHEET			