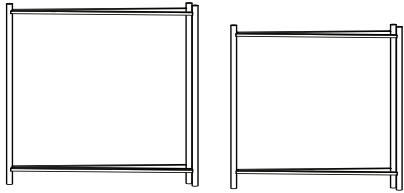


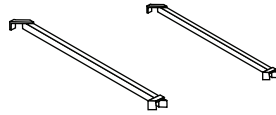
ASSEMBLY INSTRUCTIONS

Ulani 2pk Coffee Table Set Metal

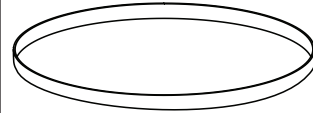


1 PC LARGE STAND

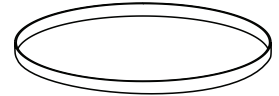
1 PC SMALL STAND



1 PC LARGE BAR
1 PC SMALL BAR

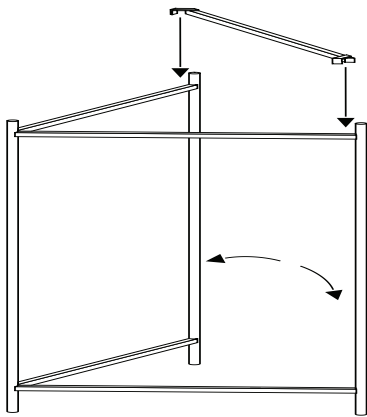


1 PC LARGE METAL TOP



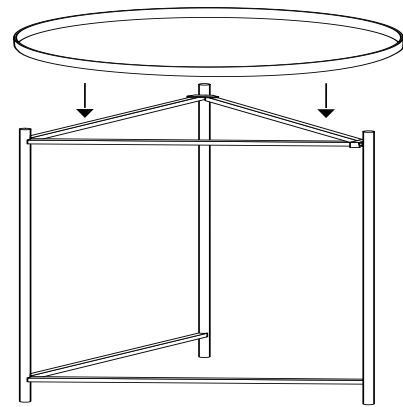
1 PC SMALL METAL TOP

STEP-1



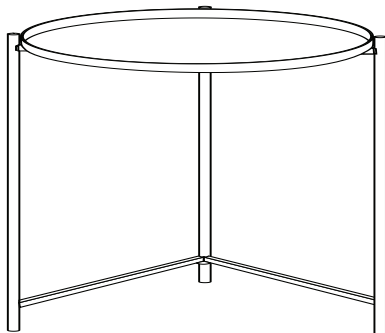
Unfold the stand and place the bar on the top as shown.

STEP-2

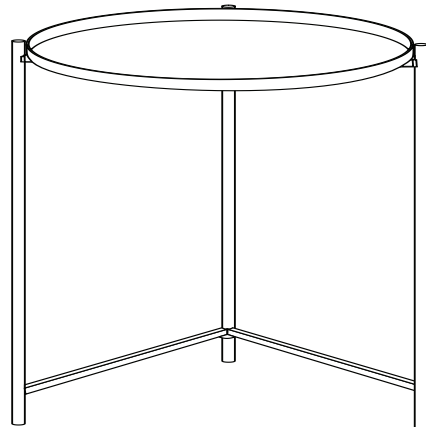


Place the metal tray top as shown.

ASSEMBLED



SMALL



LARGE