



see what Delta can do™

## KITCHEN FAUCET

- Everly™ Collection
- Two Handle Deck Mount

### FEATURES:

- Quick Snap® Vegetable Sprayer Hose Installation

### STANDARD SPECIFICATIONS:

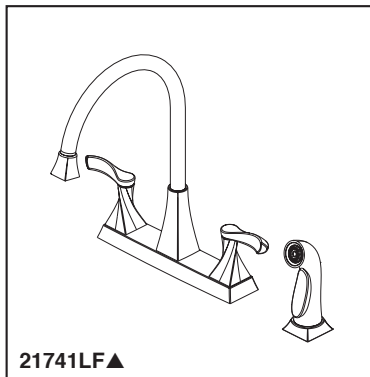
- Maximum 1.8 gpm @ 60 psi, 6.8 L/min @ 414 kPa.
- Four hole mount.
- Quick Snap® vegetable sprayer hose with matching finish sprayhead - 45" (1143mm) long hose.
- 1/4 turn handle stops.
- 1/2"-14 NPSM threaded male inlet shanks.

### WARRANTY

- Parts and Finish - Lifetime limited warranty; or for commercial purchasers, 10 years for multi-family residential (apartments and condominiums) and 5 years for all other commercial uses, in each case from the date of purchase.
- Electronic Parts and Batteries (if applicable) - 5 years from the date of purchase; or for commercial purchasers, 1 year from the date of purchase. No warranty is provided on batteries.

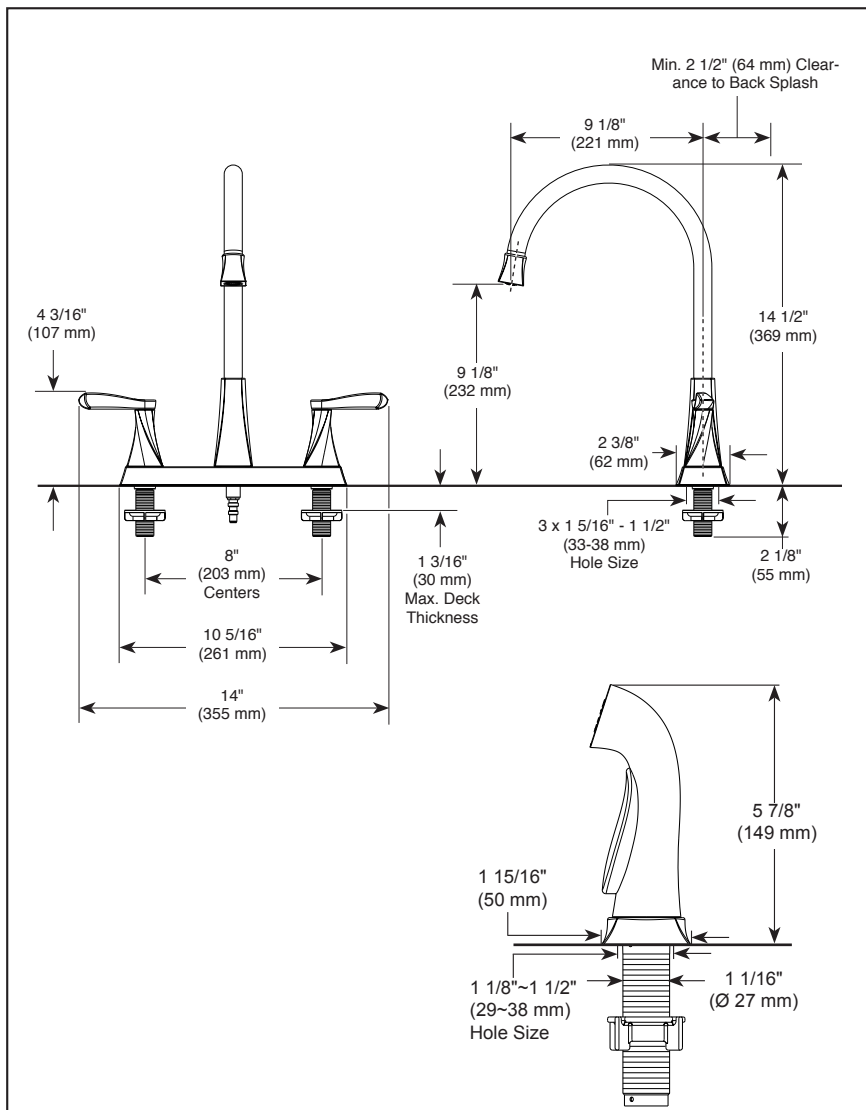
### COMPLIES WITH:

- ASME A112.18.1 / CSA B125.1
- ♿ Indicates compliance to ICC/ANSI A117.1 - Valve control only



21741LF▲

Submitted Model No.:  
Specific Features:



▲ Designate proper finish suffix

### Delta Faucet Company

55 E. 111th Street, Indianapolis, Indiana 46280  
350 South Edgeware Road, St. Thomas, ON N5P 4L1  
© 2023 Delta Faucet Company

Delta reserves the right (1) to make changes in specifications and materials, and (2) to change or discontinue models, both without notice or obligation. Dimensions are for reference only. See current full-line price book or www.deltafaucet.com for finish options and product availability.

DSP-K-21741LF Rev. B