

UV492



49" UltraView™ UHD Outdoor TV

The UltraView™ UHD Outdoor TV is an all-season solution for outdoor entertainment and living. This outdoor TV is all weather rated, maintenance-free and has an operating temperature range of -22°F to 122°F. With 4K resolution and an IPS panel, the UltraView meets the full UHD specifications, providing exceptional color and video quality from any viewing angle. The TV is also equipped with a High TNI panel, which allows for direct sunlight readability without the risk of isotropic blackout. Whether you want an outdoor TV above your backyard fireplace or by the pool, quality outdoor entertainment is now a reality with UltraView.



Operating
Temperature Range:
-22°F - 122°F
(-30°C - 50°C)

4K ULTRA HD™

- Operating temperature range of -22°F to 122°F
- High TNI panel allows for direct sunlight readability without the risk of isotropic blackout
- IPS panel allows for accurate color representation when viewing off axis
- USB media support allows still images, video and audio to be played from an attached USB flash drive
- IR extender provides flexibility for integration with control systems
- Supports HDMI 2.0 and HDCP 2.2 for increased compatibility with 4K sources
- Waterproof universal remote can control up to 3 additional devices
- Internal speakers provide excellent sound without detracting from the TV's aesthetics
- Optional Accessory: Xtreme™ Outdoor Soundbar mounts right below or above the TV



MAINTENANCE-FREE DESIGN
No need to ever change filters

RUGGED EXTERIOR
Aluminum construction materials provide the ultimate defense against weather and discoloration

IPS PANEL
Provides exceptional picture quality from any angle



Waterproof
Universal Remote



Sealed cable entry helps prevent water and debris from getting inside



UV492 49" UltraView™ UHD Outdoor TV

LCD Display

SCREEN SIZE	49" diagonal
ASPECT RATIO	16:9
RESOLUTION	3840 X 2160
BRIGHTNESS	500cd/m ²
CONTRAST RATIO	1100:1
VIEWING ANGLE	178° Vertical/Horizontal
RESPONSE TIME	8 ms (Gray to Gray)
REFRESH RATE	60Hz
OPERATING TIME	16/7

Environmental

STORAGE AND OPERATING TEMPERATURE	-22°F to 122°F (-30°C to 50°C)
IP RATING	IP55

Mechanical

SIZE (W x H x D)	45.13" x 26.64" x 3.95" (1146 x 677 x 100mm)
INPUT COMPARTMENT (W x H x D)	11.016" x 4.450" x 2.38" (280 x 113 x 60mm)

TV Controller Features

ANALOG TV	NTSC
DIGITAL TV	ATSC, MPEG4, QAM256, H.264
PICTURE ADJUSTMENT	Brightness/Contrast/Tint Sharpness/Color/Noise Reduction
PICTURE MODE	Standard, Dynamic, Personal, Theater
COLOR TEMPERATURE ADJUSTMENT	Cool, Normal, Warm
SCREEN ADJUSTMENT	4:3, 16:9, Full, Zoom
CLOCK, SLEEP TIMER	Yes
V-CHIP	Yes

Power

AC INPUT	110 VAC to 240 VAC, 50 to 60 Hz
POWER CONSUMPTION	Nominal - 120W Max - 153W

VESA® PATTERN	400 x 200mm
NET WEIGHT	52.80lb (23.95kg)
COLOR	Black

Input/Output Connections

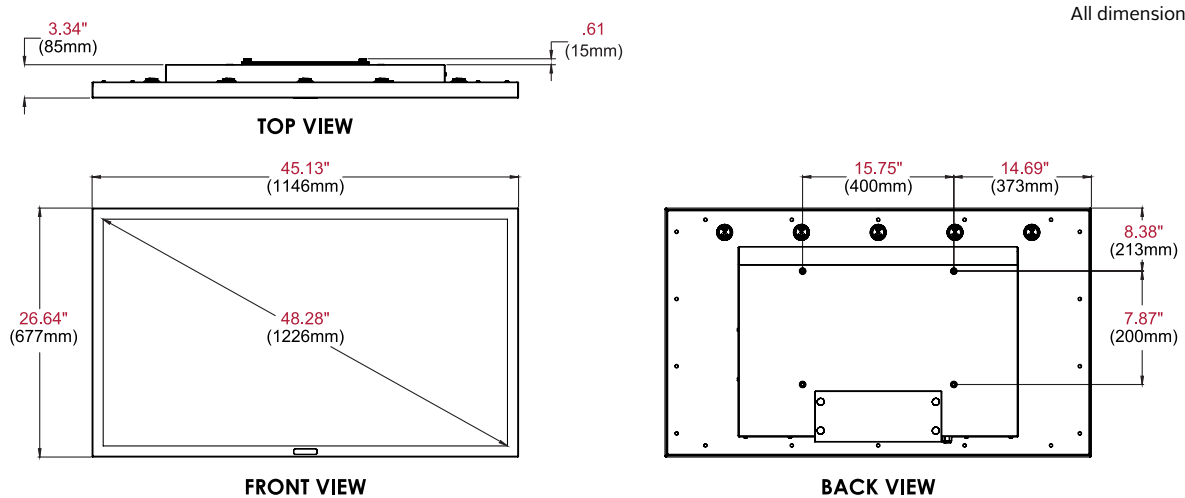
TV INPUT	Coax, 75 ohm (x1)
VGA INPUT	15 pin D-SUB (x1)
HDMI INPUT	HDMI 2.0, HDCP 2.2 (x3), 480p, 720p, 1080i, 1080p, 2160p
DISPLAY PORT	DisplayPort (x1), 480i, 480p, 720p, 1080i, 1080p, 2160p
CVBS INPUT	3.5mm (x1)
YPBPR INPUT	3.5mm (x1), 480i, 480p, 720p, 1080i
VGA STEREO AUDIO INPUT	3.5mm (x1)
AUDIO STEREO OUTPUT	5W + 5W, Analog 3.5mm Headphone Jack
USB 2.0	USB A (Female) (x1)
RS232	DB-9 (Female)
TOSLINK DIGITAL AUDIO OUTPUT	Optical (x1)
IR EXTENDER	3.5mm (x1)
5VDC 2.4A OUTPUT (USB POWER)	USB A (Female) (x1)
12VDC 2.5A OUTPUT	Barrel 2.5mm (ID), 5.5mm (OD) (x1)

Package Specifications

	PACKAGE SIZE (W x H x D)	PACKAGE SHIP WEIGHT	PACKAGE UPC CODE	PACKAGE CONTENTS	UNITS IN PACKAGE
UV492	48.94" x 30.75" x 8.35" (1243 x 781 x 212mm)	62.85lb (28.51kg)	735029314356	Display, Universal Remote Control, Manual, Input Cover Panel, Display Cover and IR Extender	1

Accessories

EPT650: Outdoor Universal Tilt Wall Mount	ACCD-05K: 5V DC Power Kit
ESA763PU: Outdoor Articulating Wall Mount	ACCD-12K: 12V DC Power Kit
SPK-080: Xtreme™ Outdoor Soundbar	ACCD-ALG: Analog Accessory Kit
HDS-OWRE-300: Wireless Outdoor Integration Module	



Architect Specifications

The UltraView™ UHD Outdoor TV shall be a Peerless-AV model UV492 and shall be located where indicated on the plans. Assembly and installation shall be done according to instructions provided by the manufacturer.

Visit peerless-av.com to see the complete line of AV solutions from Peerless-AV, including outdoor displays, wireless, kiosks, digital audio, display mounts, projector mounts, carts/stands, and a full assortment of accessories.

Peerless-AV
2300 White Oak Circle
Aurora, IL 60502 USA
(800) 865-2112
(630) 375-5100
Fax: (800) 359-6500

Peerless-AV EMEA
Unit 3 Watford Interchange
Colonial Way, Watford
Herts, WD24 4WP
United Kingdom
+44 (0) 1923 200100
Fax: +44 (0) 1923 200101

Peerless-AV Latin America
Ave de las Industrias 413
Parque Industrial Escobedo
Escobedo, N.L.,
Mexico 66062
+52 (81) 8384-8300
Fax: +52 (81) 8384-8360

