



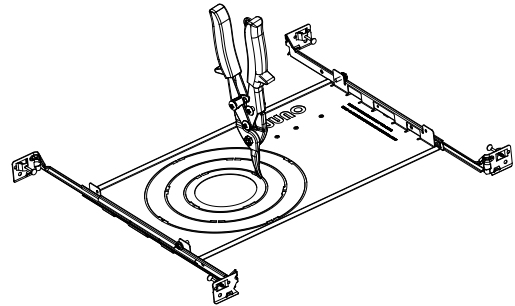
| |
|----------------|
| Catalog Number |
| Notes |
| Type |

Contractor Select™

WAFER NEW CONSTRUCTION PANS

UNIVERSAL NEW CONSTRUCTION MOUNTING PAN

The Juno Wafer WF8643 PAN is a universal new construction pre-mounting plate for the 3, 4, 6, and 8 inch LED ultra-thin downlights. The new construction plate can be installed in either wood joist or suspended T-Grid ceilings up to 1 1/2 ceiling thickness.



| Catalog Number | UPC | Description | Pallet qty. |
|----------------|--------------|--|-------------|
| WF8643 PAN R6 | 196182740572 | Universal New Construction Wafer Pan, Retail Pack of 6 | 240 |
| WF8643 PAN U | 191848296028 | Universal New Construction Wafer Pan, Unit Pack | 208 |



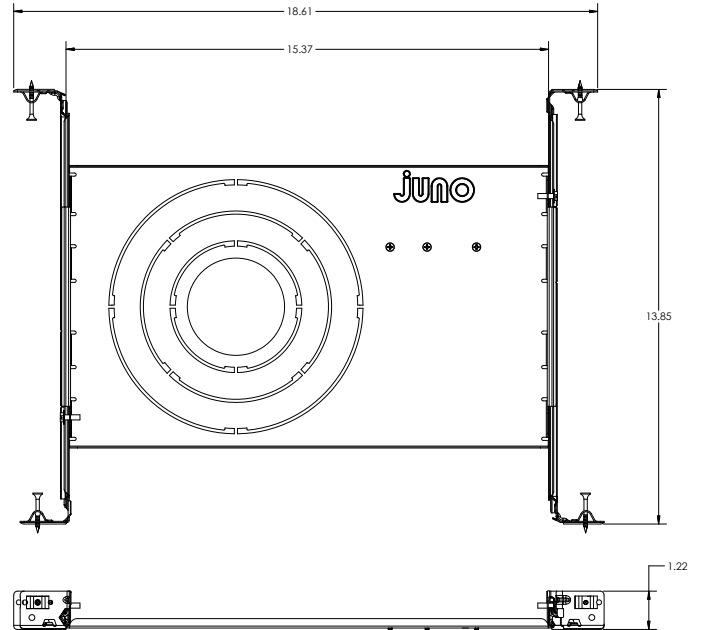
Specifications

WARRANTY:

1-year limited warranty. This is the only warranty provided and no other statements in this specification sheet create any warranty of any kind. All other express and implied warranties are disclaimed. Complete warranty terms located at: www.acuitybrands.com/support/warranty/terms-and-conditions

Note: Actual performance may differ as a result of end-user environment and application. Specifications subject to change without notice.

Dimensions

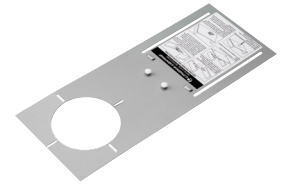


Accessories: Order as separate catalog number.

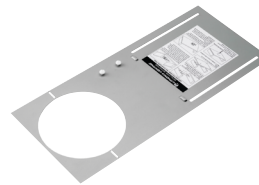
| Series | |
|---------------------------|--|
| WF8643 PAN R6 | Universal New Construction Pan, Retail Pack of 6 |
| WF8643 PAN U | Universal New Construction Pan, Unit |
| WF4 PAN R12 | 4" new construction pan, retail pack of 12 |
| WF6 PAN R12 | 6" new construction pan, retail pack of 12 |
| WF4GR MW JZ | 4" round oversized trim ring |
| WF6GR MW JZ | 6" round oversized trim ring |
| WFJB U | Remodel Joist Bar |
| WFEXC6 SW3PIN FT4 | 3-Pin 6ft Cable |
| WFEXC10 SW3PIN FT4 | 3-Pin 10ft Cable |
| WFEXC20 SW3PIN FT4 | 3-Pin 20ft Cable |



WF8643 UNIVERSAL
New Construction Pan



WF4 PAN
4" New Construction Pan



WF6 PAN
6" New Construction Pan



Remodel Joist Bar



WFEXC
3-Pin Extension Cable