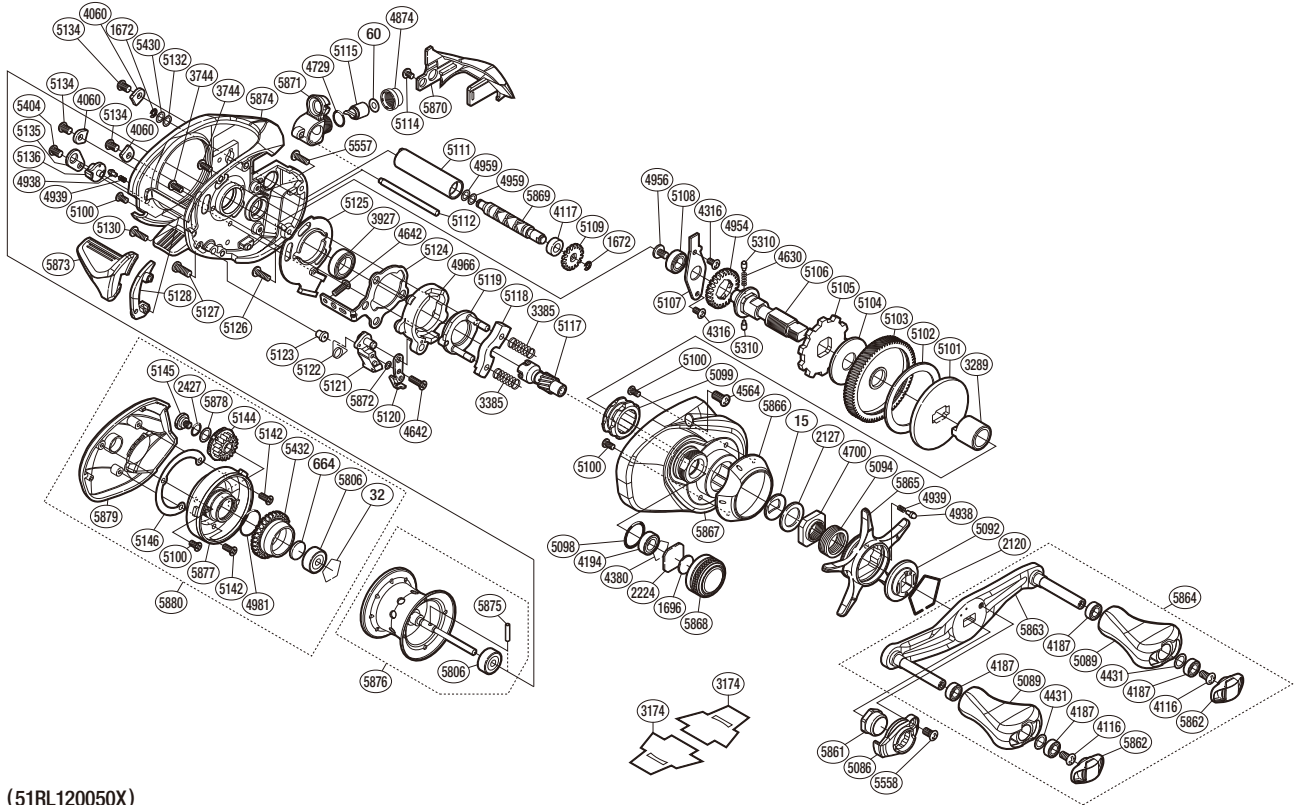


SHIMANO

ALDEBARAN MGL

ALD MGL-50



(51RL120050X)

#	Part No.	Description	#	Part No.	Description	#	Part No.	Description
0015	10D60	Drag Spring Washer	5089	10327	Handle Knob	5142	10559	Screw
0032	10GEW	Bearing Retainer	5092	10J1Z	Star Drag Click Plate	5144	10B20	Br Dial
0060	10CFW	Spacer	5094	10A78	Star Drag Spring	5145	10A6K	Screw
0664	1057S	Spacer B	5098	10LA9	O Ring	5146	108AZ	Washer
1672	105NC	E Lock	5099	10F35	Roller Clutch Bearing	5310	10HJG	Idle Gear Pin
1696	10896	Cast Control Spacer	5100	1055J	Screw	5404	10DN7	Screw
2120	10KXV	Click Plate Retainer	5101	10D3U	Key Washer	5430	10GA0	Washer
2127	10J1N	Star Drag Spacer	5102	1071R	Drag Washer	5432	101S2	Brake Pipe Gear Assembly
2224	1085F	Spool Tension Spacer	5103	10CNT	Drive Gear	5557	10LPJ	Screw
2427	108WS	O Ring	5104	10D32	Drag Washer	5558	10R1Q	Screw
3289	10BN7	Roller Clutch Inner Tube	5105	10D72	Anti-Reverse Ratchet	5806	10S37	Ball Bearing
3385	104BJ	Yoke Spring	5106	105CE	Drive Shaft	5861	10S35	Handle Nut
3744	10LVH	Screw	5107	109SZ	Drive Shaft Retainer	5862	10TNJ	Handle Knob Seal
3927	10EX8	Ball Bearing	5108	105BV	Ball Bearing	5863	100Q7	Handle Shank Assembly
4060	108AT	Side Frame Plate	5109	10FNX	Idle Gear	5864	10036	Handle Assembly
4116	103E9	Screw	5111	10NFW	Level Wind Guard	5865	10S3C	Star Drag
4117	10PXY	Bushing	5112	10QSG	Stabilizer Bar	5866	10TMN	Clutch Button Attachment
4187	104VX	Ball Bearing	5114	10MPF	Screw	5867	10T1E	Right Side Plate
4194	105BP	Ball Bearing	5115	10FFU	Line Guide Pawl	5868	10S3A	Cast Control Cap
4316	10MT2	Screw	5117	10CS6	Pinion Gear	5869	10048	Worm Shaft
4380	1057X	Retainer	5118	1046Z	Yoke	5870	10S3D	Level Wind Protector
4431	10G8G	Washer	5119	10F3Z	Clutch Cam Retainer	5871	100Q4	Line Guide Assembly
4564	10LZD	Screw	5120	10458	Clutch Pawl	5872	1059U	Washer
4630	10JDX	Idle Gear Spring	5121	105ZP	Clutch Pawl	5873	10TQT	Clutch Lever Assembly
4642	10PVS	Screw	5122	104CL	Clutch Pawl Spring	5874	100Q6	Frame Assembly
4700	10A0B	Star Drag Nut	5123	10C44	Clutch Spring Holder	5875	10MCZ	Spool Clutch Pin
4729	108WQ	O Ring	5124	10QLF	Clutch Plate	5876	10ST6	Spool Assembly
4874	10FJB	Pawl Cap	5125	10BVU	Clutch Guard	5877	100QE	Brake Case Assembly
4938	10B27	Click Pin	5126	1055A	Screw	5878	10191	Washer
4939	10988	Click Spring	5127	103DF	Screw	5879	10S3B	Left Side Plate
4954	10J6W	Idle Gear	5128	10973	Clutch Bar Guide	5880	10TB3	Left Side Plate Assembly
4956	10PVT	Screw	5130	1055C	Screw			
4959	10GFJ	Washer	5132	10GN1	Washer			
4966	10K0X	Clutch Cam	5134	103H0	Screw			
4981	10LA8	O Ring	5135	10BGQ	Cam Lever Retainer	3174	10PBQ	Reel Seat Spacer (Accessory)
5086	10Q5S	Handle Retainer	5136	10BAU	Side Plate Cam Lever	4692	10LQ0	B-100 Oil (Accessory)

Please note that the number of adjusting washers may not be the same as shown in the exploded views.
(Adjustment will vary with each individual product.)

(230605)_004