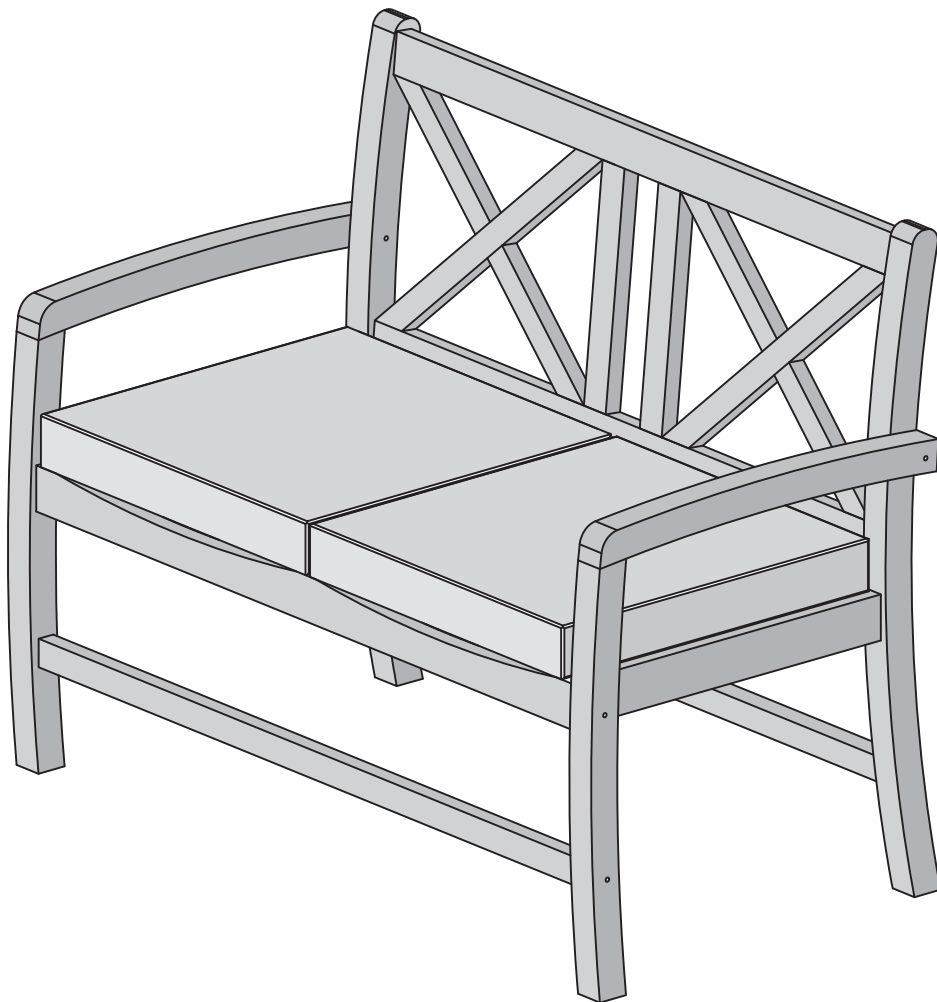


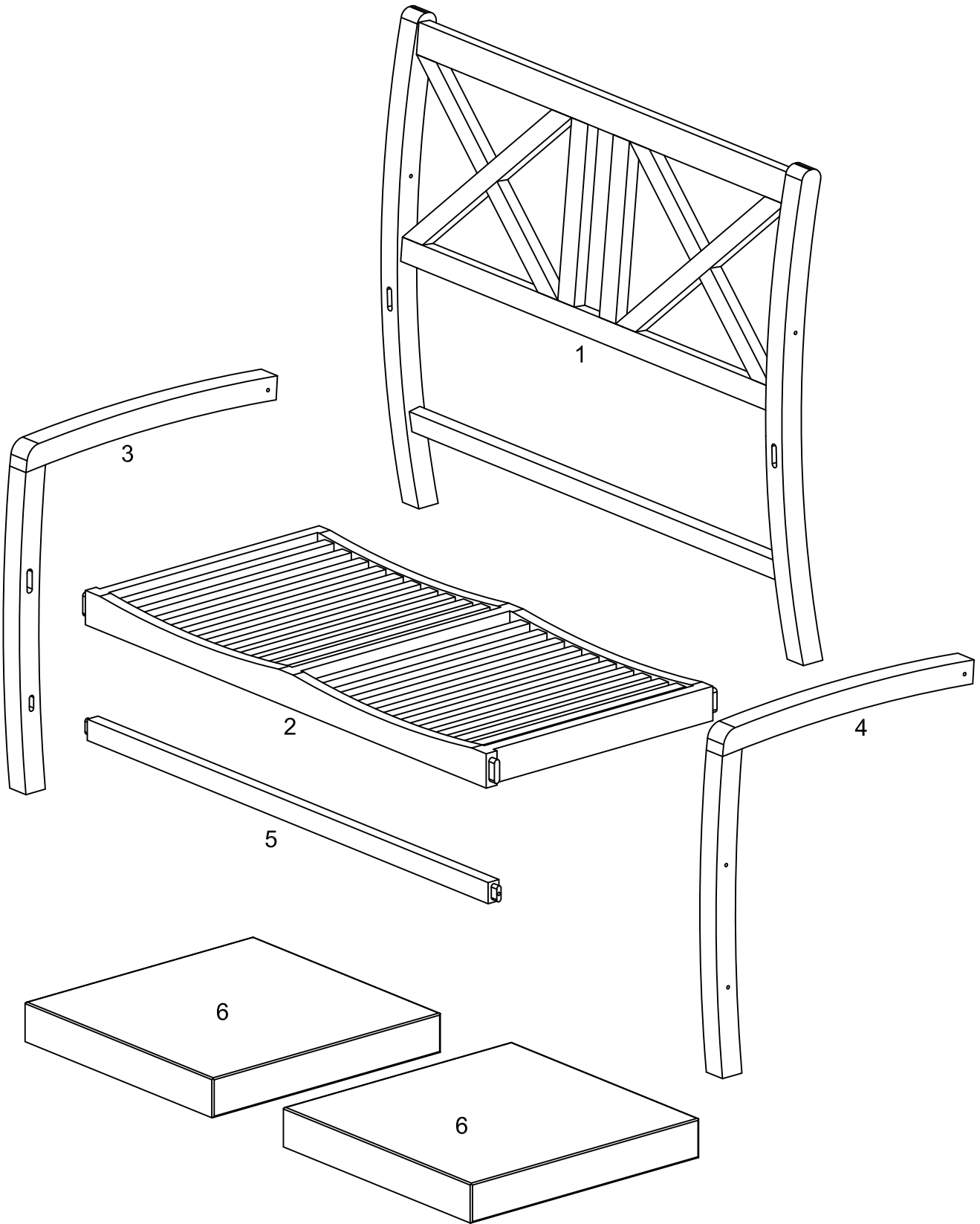
W Walker[®]
Edison
furniture company

Item # : OWXBLS
Assembly Instructions







Please visit our website for the most current instructions, assembly tips, report damage, or request parts. www.walkeredison.com

Revised 03/2017

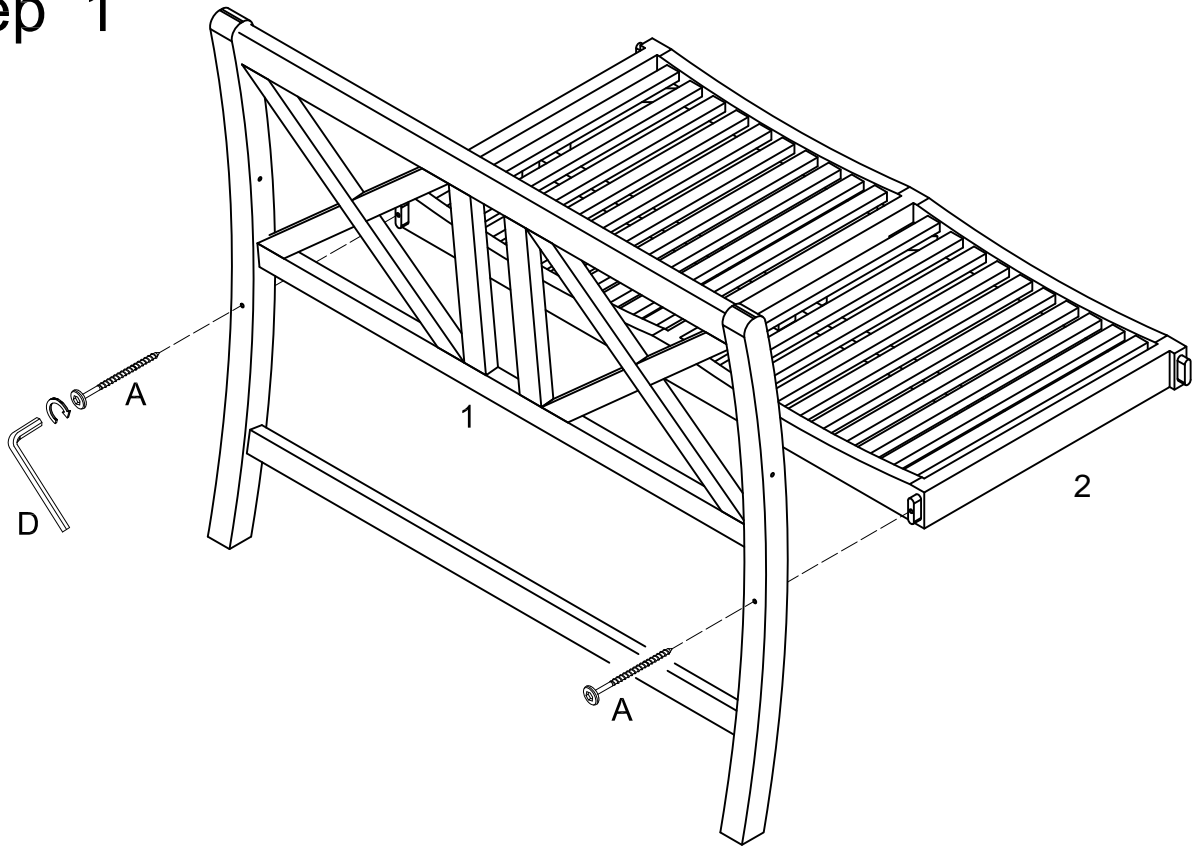


Hardware List

A		M7*90	Screw	6 pcs
B		M8*80	Bolt	2 pcs
C				2 pcs
D		M4	Wrench	2 pcs

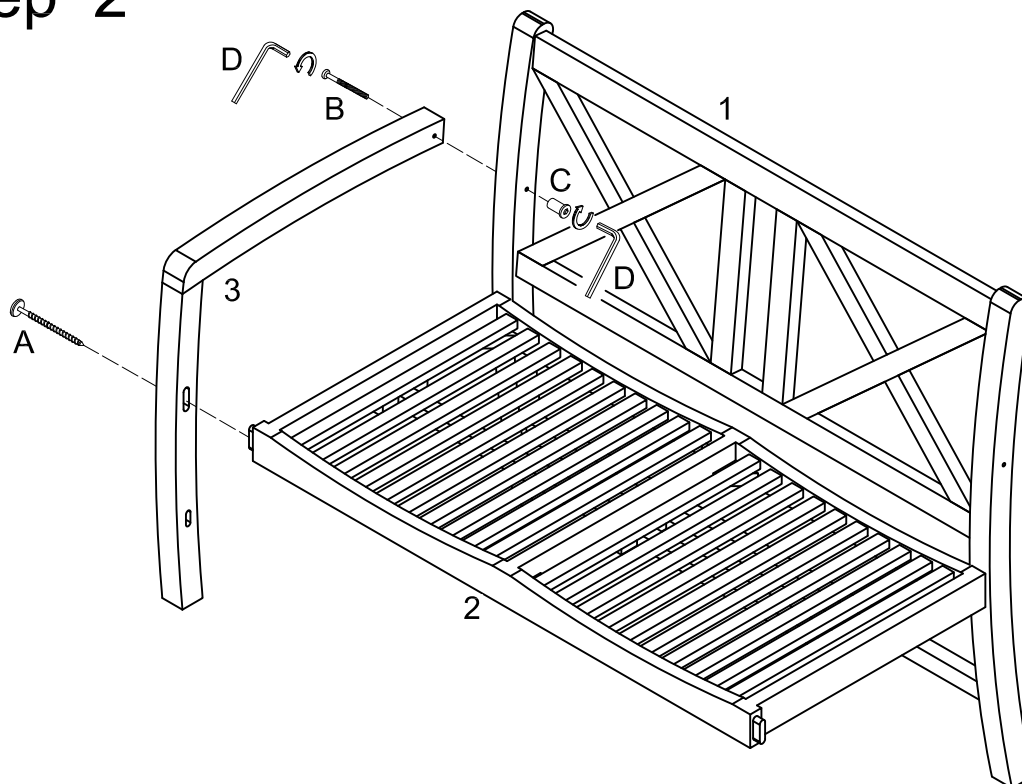
*The hardware quantities listed above are required for proper assembly.
Some extra hardware may also have been included.*

Step 1



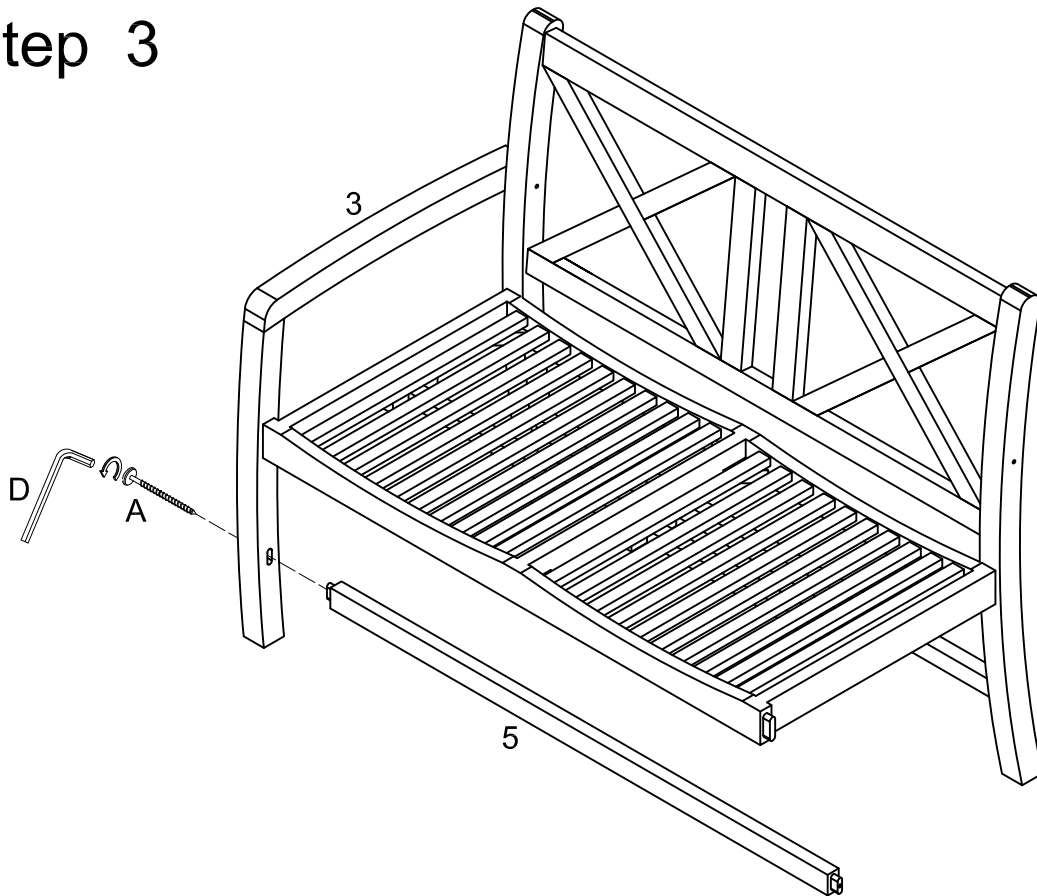
Use Wrench (D), Screw (A) to secure the Back Frame (1) to the Seat Frame (2).

Step 2



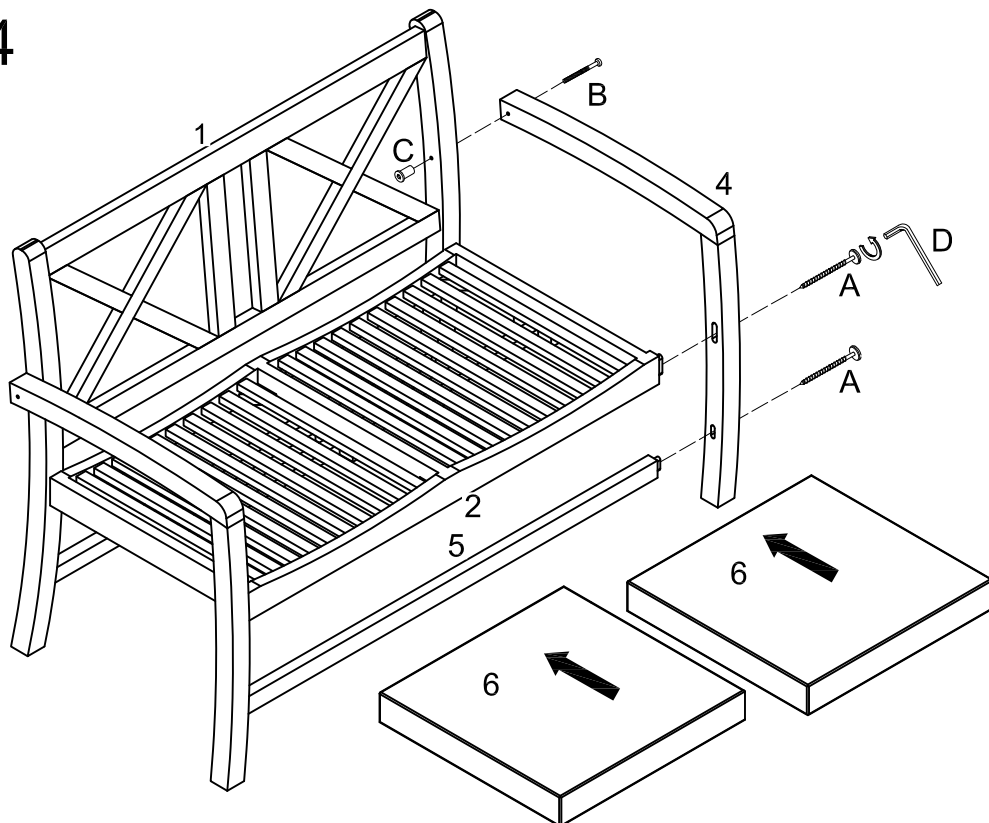
Use Wrench (D), Screw (A), Bolt (B), and Nut (C) to secure the Side Frame (3) to the Back Frame (1), and Seat Frame (2).

Step 3



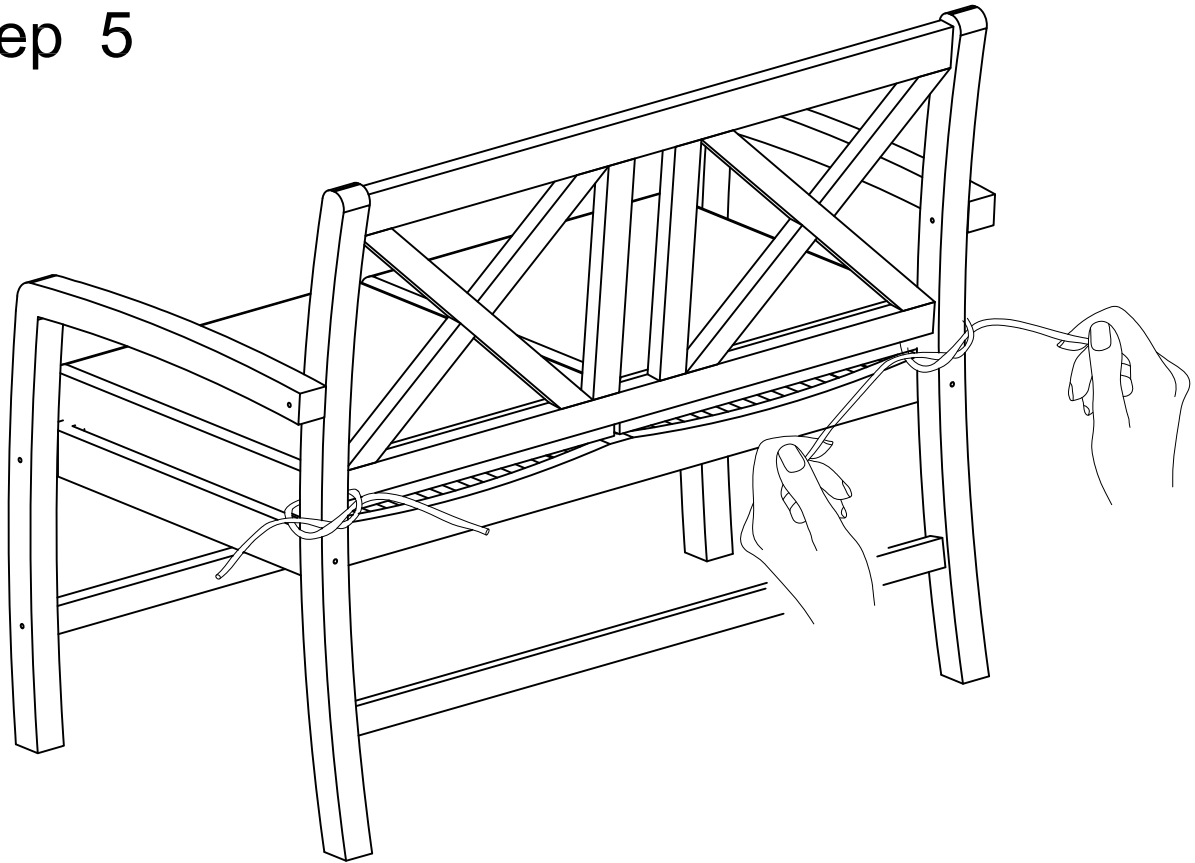
Use Wrench (D), Secure (A) to secure the Side Frame (3) to the Support Bar (5).

Step 4



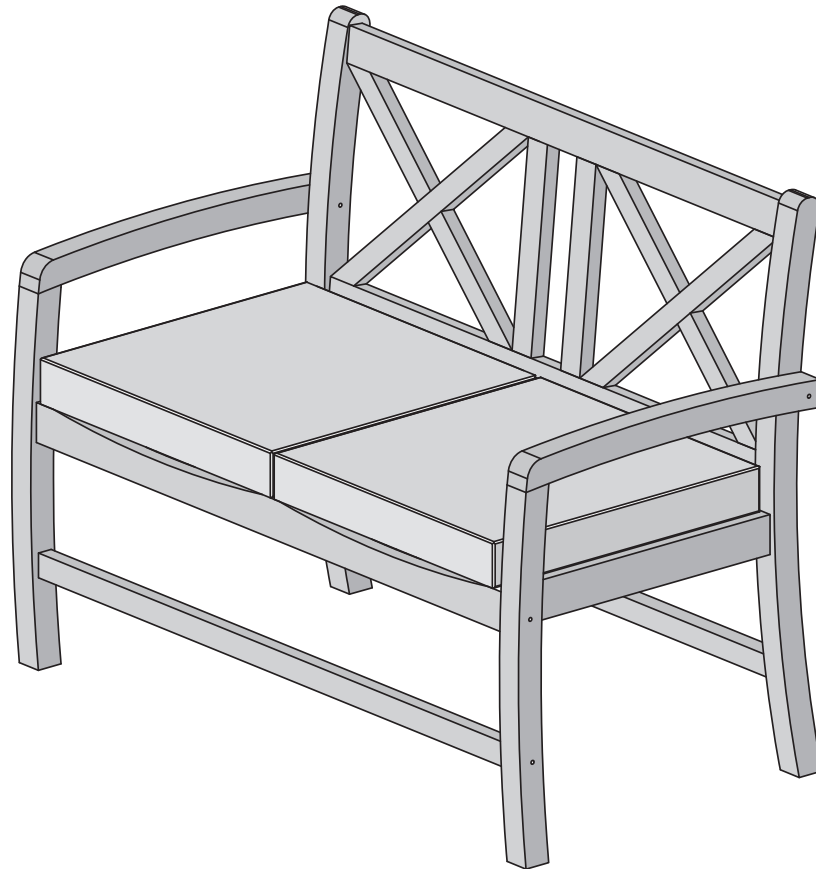
Use Wrench (D), Secure (A), Bolt (B), and Nut (C) to secure the Side Frame (4) to the Back Frame (1), Seat Frame (2), and Support Bar (5), and put the Seat Cushion (6) on top of the Seat Frame (2).

Step 5



Tide the cushion rope to the back frame as per diagram.

Step 6



Final Assembly