

Power Hooks and Modules – Shipped Separately

PPH *Pendant Power Hook.* Provides disconnect capability. Order loop, cord and plug on fixture (LCPP option). **UL listed as primary disconnect, load break device.** Specify voltage. Height 5 1/8"; width 4-1/2". Ships as: PPH voltage U, PPH voltage J4, and PPH voltage J12.¹

TPH *Through-Wire Power Hook.* Provides disconnect capability. Order loop, cord and plug on fixture (LCPP option). **UL listed as primary disconnect, load break device. Specify voltage.** Height 6-1/4"; width 4-1/2" square. Ships as: TPH voltage U, TPH voltage J4, and TPH voltage J12.¹

Hooks and Loops – Shipped Separately

HKM *Fixture Hook Male.* Die-cast aluminum construction with spring steel safety clasp standard. Overall height 3-3/4" including 1" thread. Thread diameter is 3/4". Ships as: HKM U, HKM J4, and HKM J12.

HKF *Fixture Hook Female.* Female version adds coupling. Ships as: HKF U, HKF J4, and HKF J12.

HKMG *Grommated Fixture Hook.* Gasketed cord exit. Designed to keep dirt from entering hook/cord opening. Ships as: HKMG U.

LPM *Fixture Loop Male.* Die-cast aluminum construction. Loop height 3-1/2" including 3/4" thread. Ships as: LPM U, LPM J4, and LPM J12.

LPF *Fixture Loop Female.* Female version adds coupling. Ships as: LPF U, LPF J4, and LPF J12.

LPMG *Grommated Fixture Loop.* Gasketed cord exit. Designed to keep dirt from entering loop/cord opening. Ships as: LPMG U.

Safety Chain Accessories – Shipped Separately

SCK *Safety Chain Kit.* Includes 60" (5') of chain and attachment hardware for field installation. Adapts to all industrial fixtures. Ships as: SCK U, SCK J4, and SCK J12.

SCK84 *Safety Chain Kit.* Same as SCK with 84" (7') of chain. Ships as: SCK84 U, SCK84 J4, and SCK84 J12.

SCK108 *Safety Chain Kit.* Same as SCK with 108" (9') of chain. Ships as: SCK108 U, SCK108 J4, and SCK108 J12.

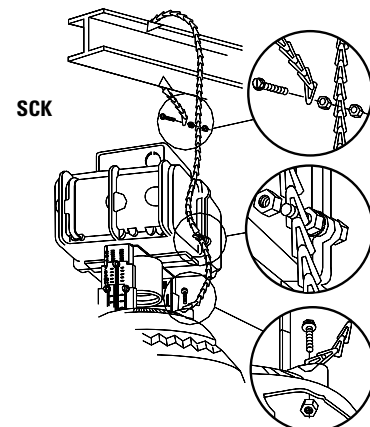
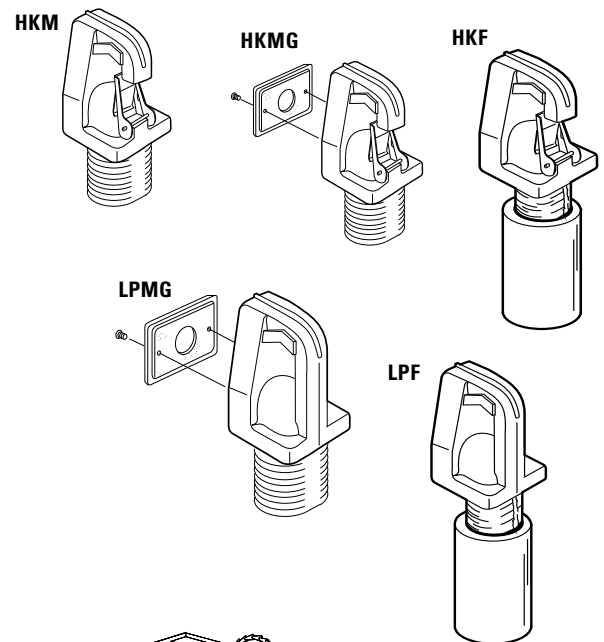
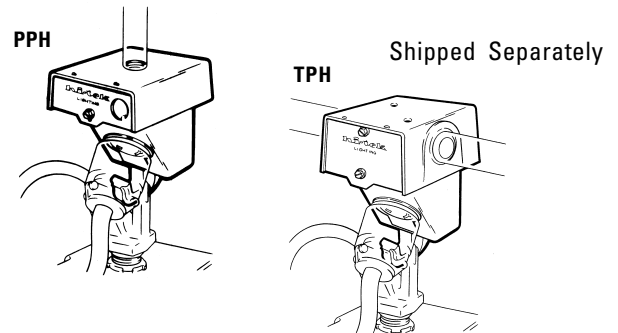
NOTE:

¹ For use with Lithonia Lighting LCPP only.

Catalog Number	
Notes	Type

HID Lighting

Industrial Accessories



ACC1 Industrial Accessories

Wireguards Accessories – Shipped Separately

Wireguards for open aluminum reflector. Clamp on outside of reflector and allow relamping without removal. Hot-dipped galvanized steel wire.

- WGA14** Wireguard. Use with TH A14 reflector. Must be ordered with fixture; requires factory-drilled reflector. Ships as: WGA14 U, WGA14 J4 and WGA14 J12.
- WGA16** Wireguard. Use with TH A16 or THD A16 reflector. Ships as: WGA16 U, WGA16 J4 and WGA16 J12.
- WGA17** Wireguard. Use with TH A17 reflector. Ships as: WGA17 U, WGA17 J4 and WGA17 J12.
- WGA22** Wireguard. Use with TH A22 reflector. Ships as: WGA22 U and WGA22 J4.

Full Wireguards – Shipped Separately

- FWG** Full Wireguard. Use with Acrylume™ fixtures. Attaches to adjustable leg mounting screws. Ships separately as: FWG U.
- GFWG16** Glass Full Wireguard. Use with TPGE, PG16GLE. Must be ordered with fixture.
- GFWG21** Glass Full Wireguard. Use with TPGE PG21GLE. Must be ordered with fixture.

Wireguards – Shipped Installed

Wireguards for lensed optical assemblies.

- WG** Wireguard for TX-A26, TX-A30, TX-A23, TX-A20, TH-A16GL, TE-E17, TE-E22 or TPGE PG16GLE or TPGE PG21GLE reflector. Must be ordered with fixture.

Mounting Accessories Shipped Separately

- SMB** Single Mounting Bar. White painted steel channel with 3/4" pipe couplings suspend remote ballast housing at one end with splice box, remote socket and reflector assembly at the other. SMB includes end snap-in closure strips for wire access. Available in 18" (overall length) **SMB18** and 24" (overall length) **SMB24**. Center line of pipe couplings are 3" from each end. Ships as: SMB18 U, SMB18 J4, SMB24 U and SMB24 J4.
- TMB** Twin Mounting Bar. White painted steel channel suspends remote optical on each end and one remote ballast housing in the center, or two complete fixtures, one on each end. Available in 30" (overall length) **TMB30** and 48" (overall length) **TMB48**. Center line of pipe couplings are 3" from each end. Not all wattages or voltages are available in twin-remote ballasts. Ships as: TMB 30 U, TMB 30 J4, TMB48 U and TMB48 J4.

