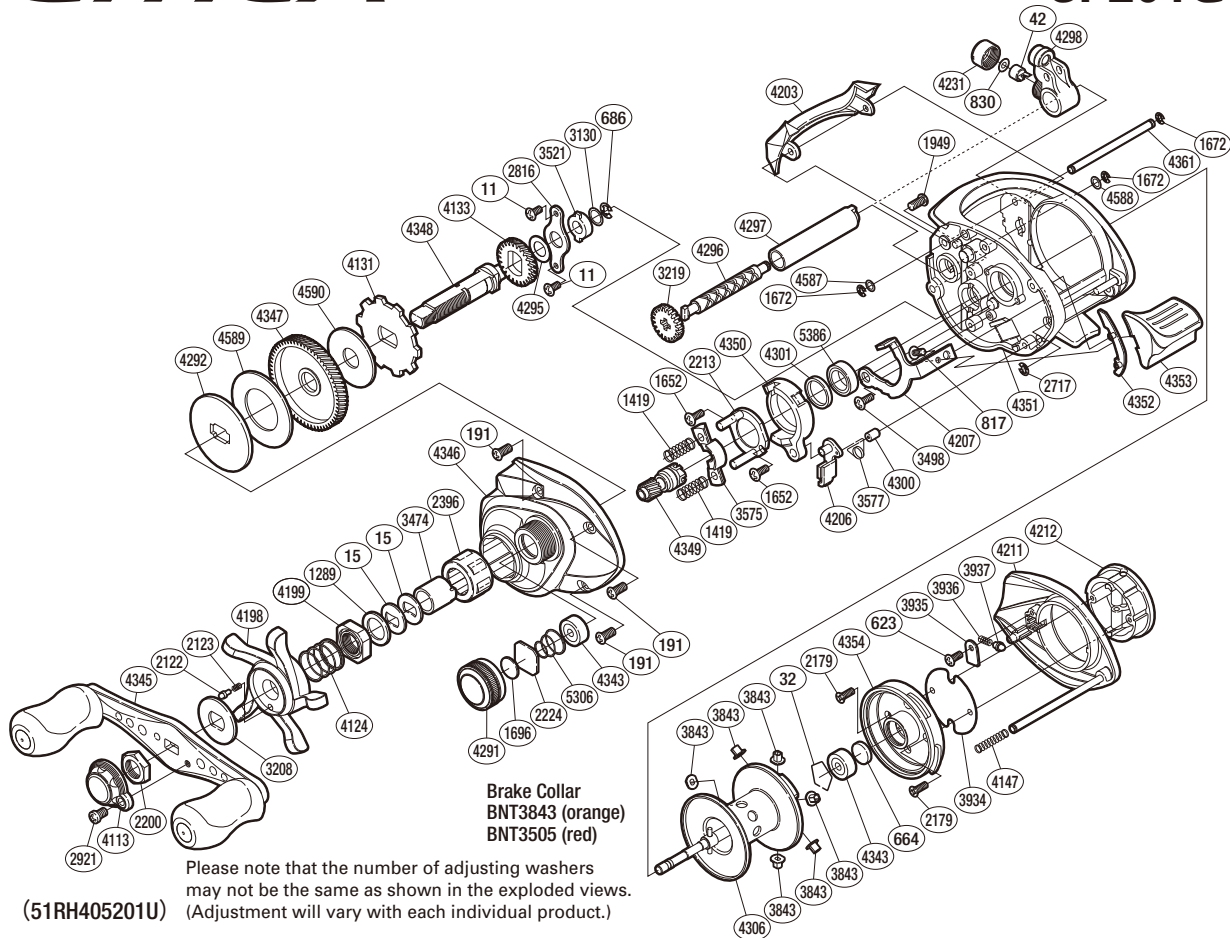


SHIMANO

CITICA

CI-201G6



Part No.	Description	Part No.	Description	Part No.	Description
BNT0011	Screw	BNT3208	Star Drag Click Plate	BNT4295	Washer
BNT0015	Drag Spring Washer	BNT3219	Idle Gear	BNT4296	Worm Shaft
BNT0032	Bearing Retainer	BNT3474	Roller Clutch Inner Tube	BNT4297	Level Wind Guard
BNT0042	Line Guide Pawl	BNT3498	Screw	BNT4298	Line Guide
BNT0191	Screw	BNT3521	Drive Shaft Bushing	BNT4300	Retractor Spring Collar
BNT0623	Screw	BNT3575	Yoke	BNT4301	Bearing Bushing
BNT0664	Spacer B	BNT3577	Clutch Pawl Spring	BNT4306	Spool Assembly
BNT0686	E Lock	BNT3843	Brake Collar (orange)	BNT4343	Ball Bearing
BNT0817	Screw	BNT3934	Brake Case Spacer	BNT4345	Handle Assembly
BNT0830	Spacer	BNT3935	Brake Spring Retainer	BNT4346	Left Side Plate
BNT1289	Star Drag Spacer	BNT3936	Click Spring	BNT4347	Drive Gear
BNT1419	Yoke Spring	BNT3937	Click Pin	BNT4348	Drive Shaft
BNT1652	Screw	BNT4113	Handle Retainer	BNT4349	Pinion Gear
BNT1672	E Lock	BNT4124	Star Drag Spring	BNT4350	Clutch Cam
BNT1696	Cast Control Spacer	BNT4131	Anti-Reverse Ratchet	BNT4351	One-Piece Frame
BNT1949	Screw	BNT4133	Idle Gear	BNT4352	Clutch Bar Guide
BNT2122	Click Pin	BNT4147	Damper Spring	BNT4353	Quick-Fire II Clutch Bar
BNT2123	Click Spring	BNT4198	Star Drag	BNT4354	Brake Case
BNT2179	Screw	BNT4199	Star Drag Nut	BNT4361	Stabilizer Bar
BNT2200	Handle Nut	BNT4203	Level Wind Protector	BNT4587	Washer
BNT2213	Clutch Cam Retainer	BNT4206	Clutch Pawl	BNT4588	Washer
BNT2224	Spool Tension Spacer	BNT4207	Clutch Plate	BNT4589	Drag Washer
BNT2396	Roller Clutch Bearing	BNT4211	Right Side Plate	BNT4590	Drag Washer
BNT2717	E Lock	BNT4212	Turnkey Dial	BNT5306	Spool Tension Spring
BNT2816	Drive Shaft Retainer	BNT4231	Pawl Cap	BNT5386	Ball Bearing
BNT2921	Screw	BNT4291	Cast Control Cap		
BNT3130	Washer	BNT4292	Key Washer	BNT3505	Brake Collar (red) (accessory)