

# INSTALLATION INSTRUCTIONS

Please read carefully and save these instructions as you may need them a later date

## CAUTION

Turn off the main power at the circuit breaker before installing the fixture, in order to prevent possible shock.

## GENERAL

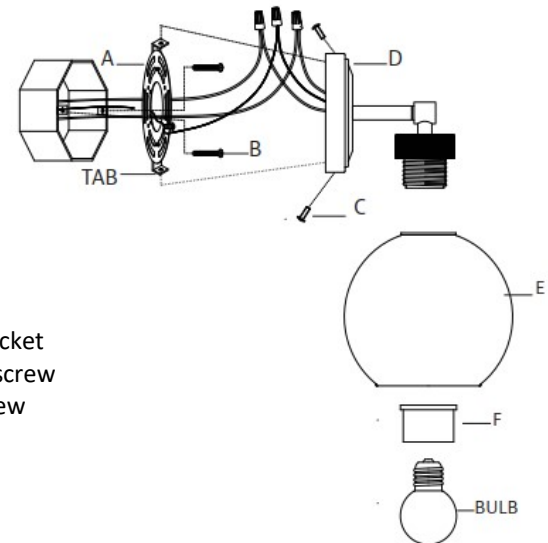
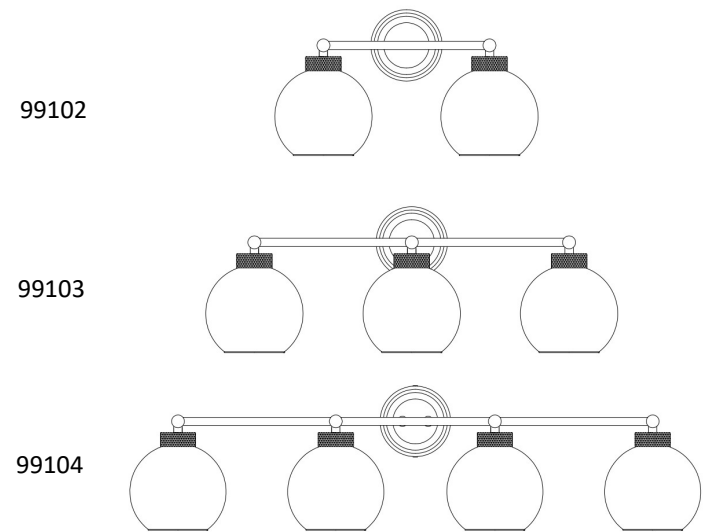
All electrical connections must be in accordance with local and National Electrical Code (N.E.C.) standards. If you are unfamiliar with proper electrical wiring connections obtain the services of a qualified electrician.

Remove the fixture and the mounting package from the box and make sure that no parts are missing by referencing the illustration.

## ASSEMBLY AND INSTALLATION

1. Attach mounting bracket (A) to junction box with junction box screws (B).
2. Pull out the outlet wire and ground wire from junction box.  
Make wire connections with wire nut .
  - Ribbed wire (w/o marking) or white wire from fixture to White wire from power source.
  - Smooth wire (w marking) or black wire from fixture to Black wire from power source.
  - Ground wires from fixture to power source and tie to mounting bracket(A) with a ground screw.
3. Raise fixture to wall. Place backplate(D) of fixture over mounting bracket (A). Align holes in tabs on top and bottom of mounting bracket (A) with holes in top and bottom of backplate (D). Thread one fixture mounting screw (C) into each hole in backplate(D). Tighten fixture mounting screws (C) to secure fixture to wall.
4. Put glass (E) on socket through glass hole. Thread socket ring (F) onto socket to secure glass (E) to fixture. DO NOT over tighten socket ring (F).
5. Screw recommended bulb (E26 Edison/A19 bulb type, not include) into socket. Verify correct bulb wattage marked on socket of fixture. WARNING: DO NOT exceed maximum bulb wattage
6. Turn on the power.

INSTALLATION IS NOW COMPLETED



- A. Mounting bracket
- B. Junction box screw
- C. Mounting screw
- D. Backplate
- E. Glass
- F. Socket ring

Item No.: 99102, 99103, 99104