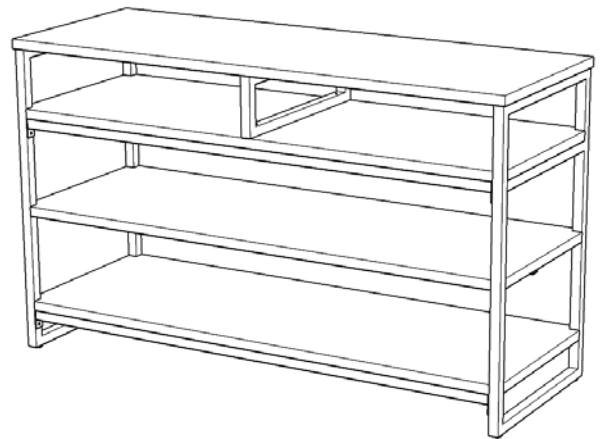


88 5053 06

# Entertainment Console



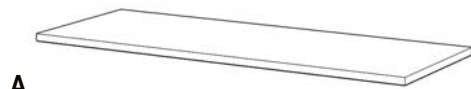
## IMPORTANT NOTE

Carefully remove all the parts from the carton and put them individually on a soft cloth to prevent scratches or other damage occurring to the parts.

We have taken great care in the design of this product and request that you carefully and strictly follow our assembly instructions to ensure a completed product as it was designed.

Home  
Styles

## Part List



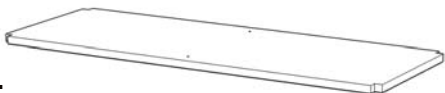
**A.**  
**Top**  
1 pc.



**E.**  
**Stretcher**  
1 pc.



**G.**  
**Stretcher**  
1 pc.



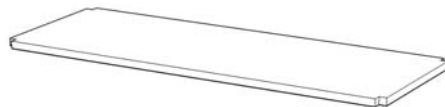
**B.**  
**Shelf**  
1 pc.



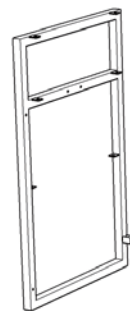
**F.**  
**Stretcher**  
1 pc.



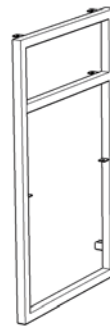
**H.**  
**Stretcher**  
1 pc.



**C.**  
**Shelf**  
1 pc.



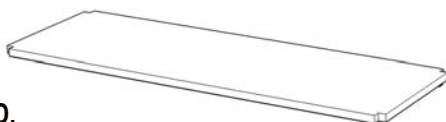
**J.**  
**Side Frame**  
1 pc.



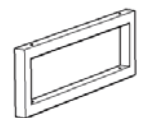
**K.**  
**Side Frame**  
1 pc.



**I.**  
**Stretcher**  
1 pc.



**D.**  
**Shelf**  
1 pc.



**L.**  
**Frame**  
1 pc.

## Hardware List



**Hex Wrench**  
1 pc.



**Small Wrench**  
1 pc.



**M6x38**  
**Tapered Head Cap Bolt**  
4 pcs. (+1 extra)



**M6x13**  
**Head Cap Bolt**  
30 pcs. (+1 extra)



**Spring Washer**  
30 pcs. (+8 extra)



**Flat Washer**  
30 pcs. (+8 extra)



**M4x38**  
**Wood Screw**  
4 pcs. (+1 extra)

Tools required for assembly : Phillips screwdriver

Tools recommended for assembly : Level

**Home Styles Consumer Assistance** : [www.homestyles-furniture.com](http://www.homestyles-furniture.com),  
[servicedesk@homestyles-furniture.com](mailto:servicedesk@homestyles-furniture.com), 888-680-7460, 877-831-0319

## IMPORTANT

- \* Please keep Hex Wrench in a safe place as you may need to tighten up the Head Cap Bolts in the future.
- \* Do not tighten up all the bolts until each part is properly assembled.
- \* Use a soft cloth between these parts and the floor.
- \* After assembly item must be level to work properly. Use the included adjustable levelers to level.

## STEP 1

Place Top (A) upside down on a soft cloth.

Attach Side Frame (J) to Top (A) with Head Cap Bolts, Spring Washers and Flat Washers. (See Figure 1)

Attach Frame (L) to unit with Tapered Head Cap Bolts. (See Figure 2)

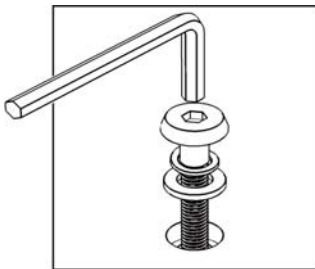
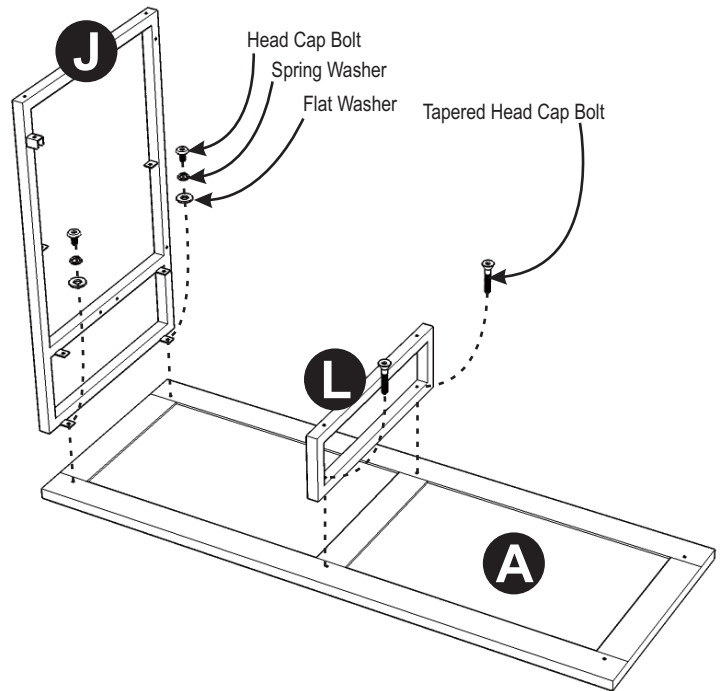


Figure 1

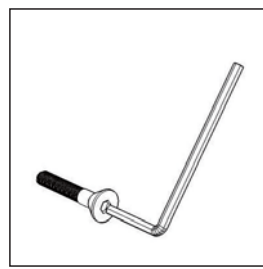
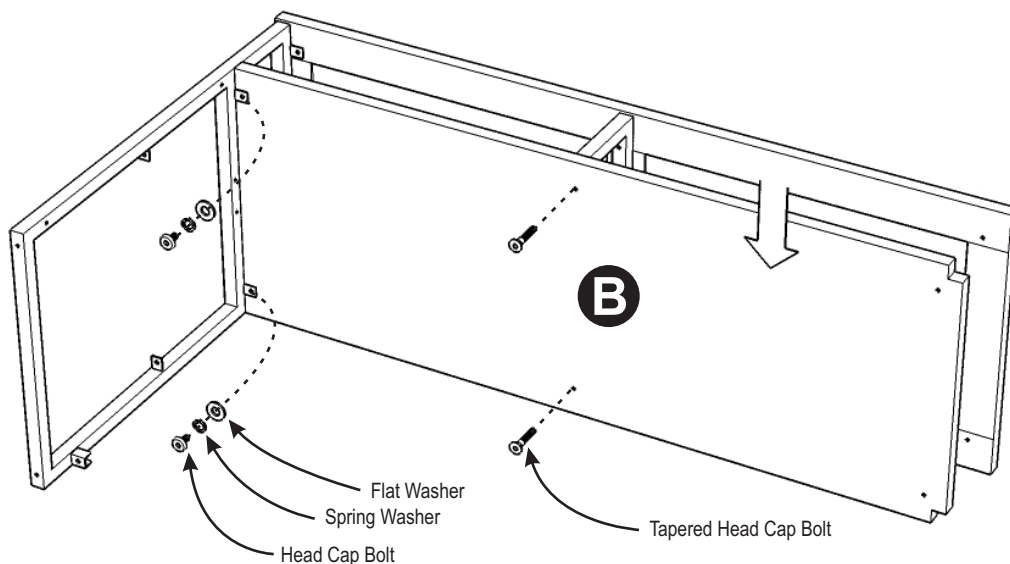


Figure 2

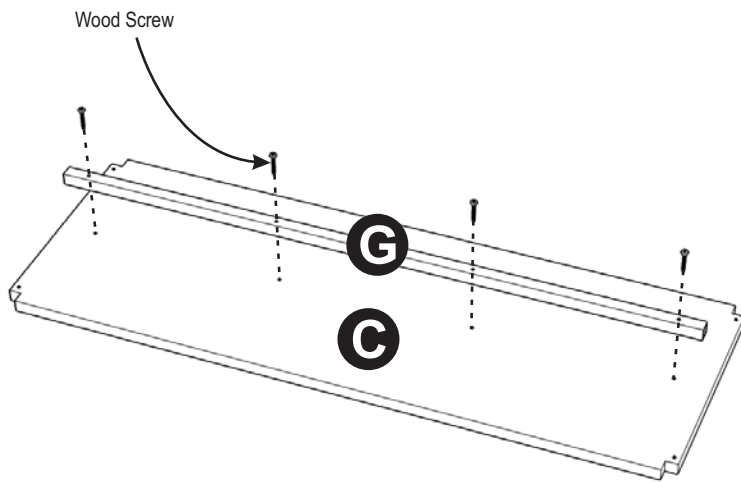
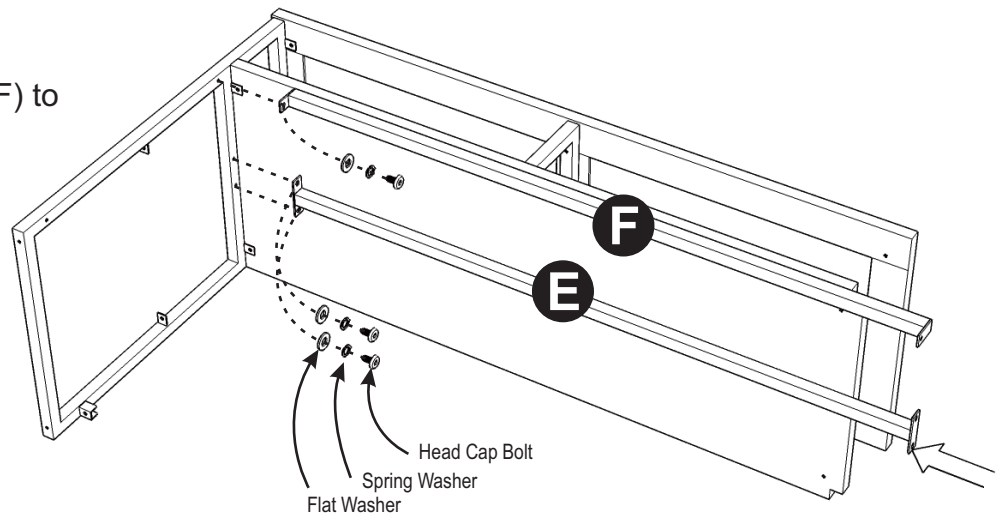


## STEP 2

Attach Shelf (B) to unit with Head Cap Bolts, Spring Washers, Flat Washers and Tapered Head Cap Bolts.

## STEP 3

Attach Stretchers (E) and (F) to unit with Head Cap Bolts, Spring Washers and Flat Washers.



## STEP 4

Attach Stretcher (G) to Shelf (C) with Wood Screws. (See Figure 3)

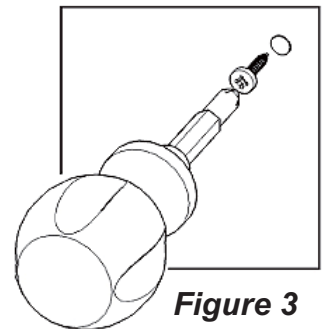
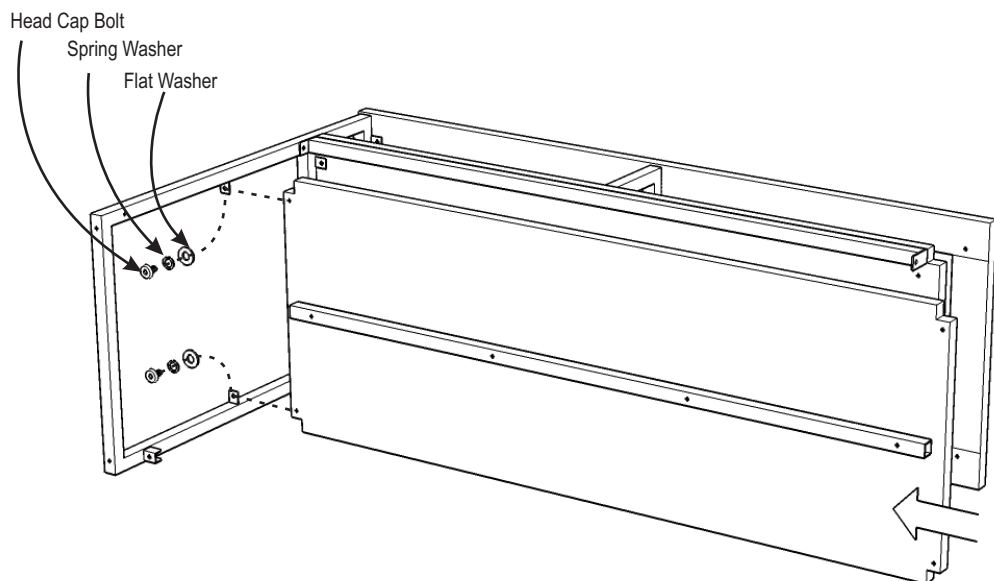


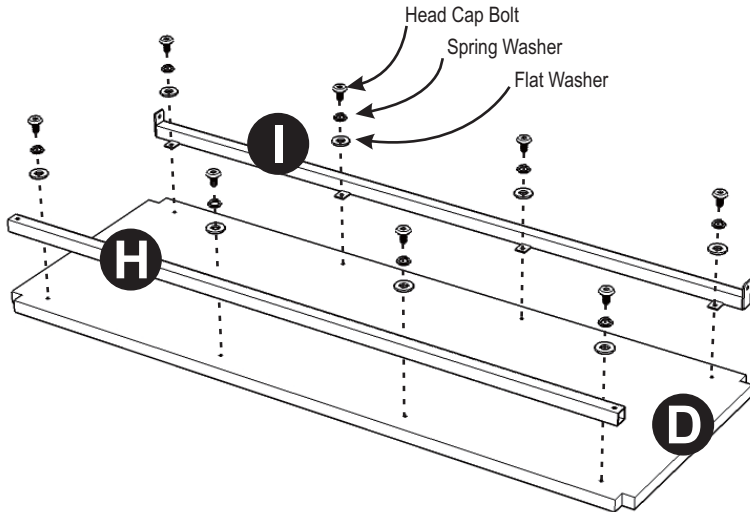
Figure 3



## STEP 5

Attach shelf from Step 4 to unit from Step 3 with Head Cap Bolts, Spring Washers and Flat Washers.

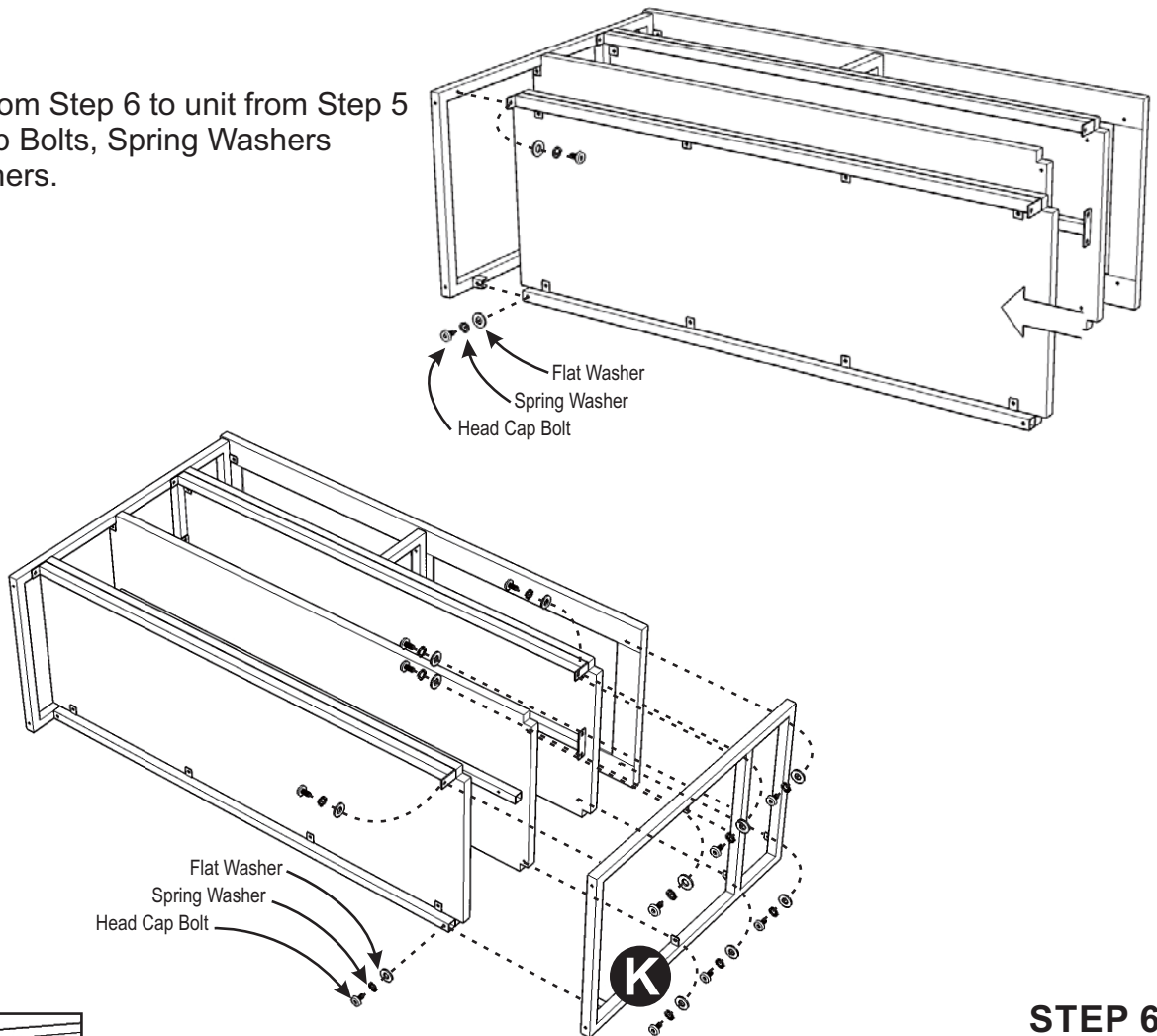
## STEP 6



Attach Stretchers (H) and (I) to Shelf (D) with Head Cap Bolts, Spring Washers and Flat Washers.

## STEP 7

Attach shelf from Step 6 to unit from Step 5 with Head Cap Bolts, Spring Washers and Flat Washers.



## STEP 6

Attach Side Frame (K) to unit with Head Cap Bolts, Spring Washers and Flat Washers.

To level the unit, adjustable levelers on the bottom of unit. (See Figure 4)

Figure 4

**Note: Unit must be level to work property.**