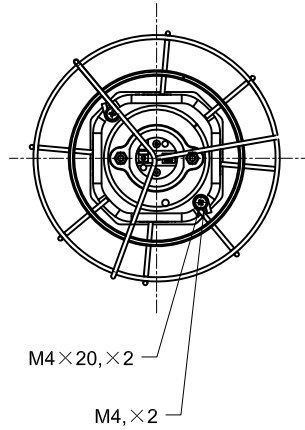
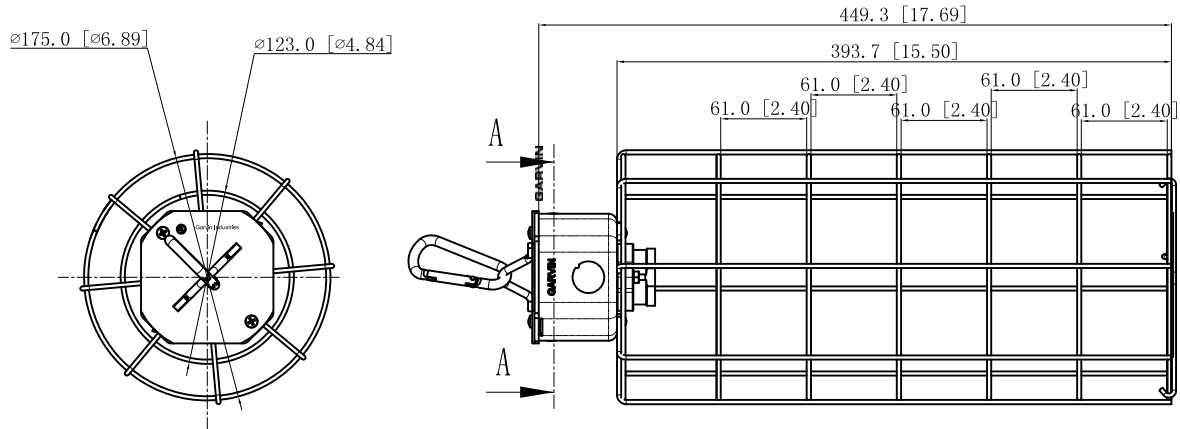
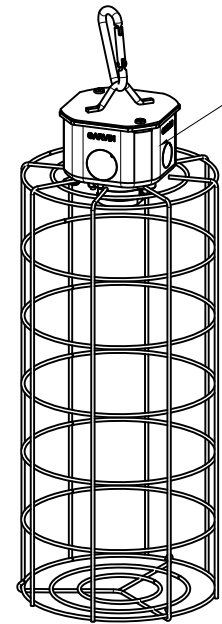
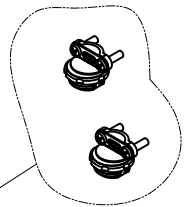
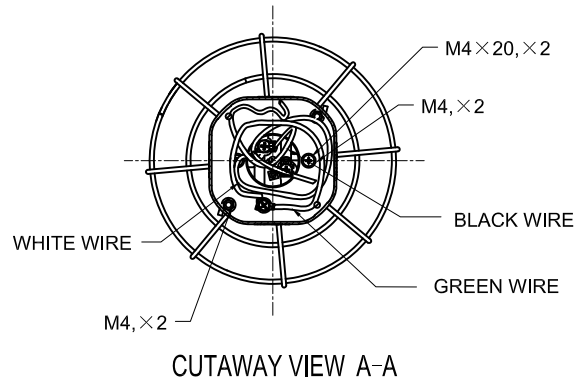


SIDES	BOTTOM
2 1/2" KNOCKOUTS	
2 1/2" KNOCKOUTS	
4 PCS M4×20 Screws Installed	
#8-32×1/4 Green Screws Installed	
4 PCS M4 Hex nut	
4 PCS M4 Flat washer	
Material:Steel-0.0625"-G60 Galvanized	
Wire 6" long Bx/Mc 12GA stranded White stranded	
Wire 6" long Bx/Mc 12GA stranded Black stranded	
12AWG 8" long solid wire with both edn stripped ,green wire	



This data sheet is for reference only .GARVIN INDUSTRIES reserves the right to make changes to the design without prior notice.

DESCRIPTION
TRADE REFERENCE TERMS

STANDARD PACKING	GARVIN INDUSTRIES		
1 PCS			
TITLE	TLF		REV E
SIZE A4	DWG NO.	DATA SHEET	
www.garvinindustries.com			