

SAVANT

Echo Auxiliary Control Quick Reference Guide

The Echo Auxiliary Control is a companion to the Savant Echo wireless dimmers, and switches. The Auxiliary Control is wired in such a way that allows for control of one load from multiple locations such as in a 3-way configuration. Multiple Auxiliary Controls can be wired to one Savant Echo dimmer or switch.

The Auxiliary Control cannot be connected to a wireless network. All control signals from the Auxiliary Control are sent over a traveler wire back to a Savant Echo style dimmer or switch. The Echo device then outputs the appropriate voltage to the load.

Product

Echo Auxiliary Control (WP3-xx0002-00)

Box Contents

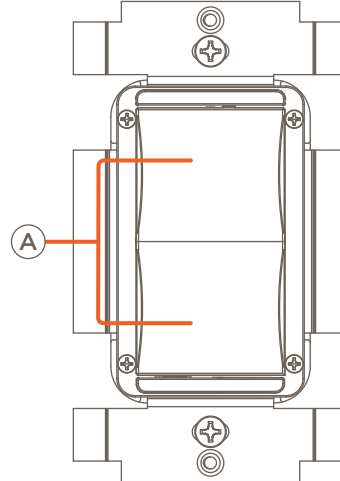
- (1) Auxiliary Control without faceplate
- (2) Mounting Screws
- (3) Wire Nuts
- (1) Quick Reference Guide (this document)

Specifications

Environmental	
Temperature	32° to 104° F (0° to 40° C)
Humidity	10% to 90% Relative Humidity (non-condensing)
Location	Indoor Use Only
Pollution	Degree 2
Dimensions	
Height	4.13in (10.50cm) Shipping 7.0in (17.78cm)
Width	2.36in (6.00cm) Shipping 4.5in (11.43cm)
Depth	1.57in (3.99cm) Shipping 3.0in (7.62cm)
Weight	Shipping 0.60lb (0.272kg)
Recommended Back Box Depth	
All Echo switches require a standard U.S. electrical back box.	
- Recommended - 3.5 in (8.89 cm) deep	
- Minimum 2.25 in (5.72 cm) deep	
- Type 1 enclosure for control	
Mounting	
Independently mounted (vertical position only)	
Installation	
Operating Control	Type 1 action
Power	
Input	120V AC, 60Hz on Neutral wire (White)
Rated impulse voltage	2500V
Regulatory	
Safety and Emissions	FCC Part 15 UL For more details, see the Regulatory and Safety insert.
RoHS	Compliant
Minimum Supported Release	
da Vinci Blueprint 9.0	

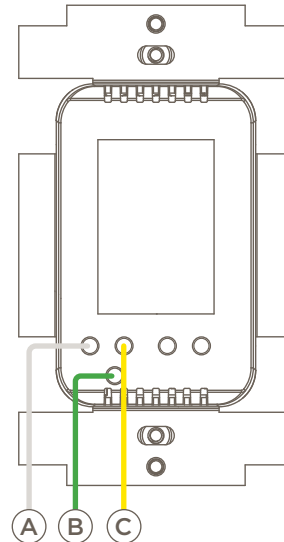
Hardware Overview

Front Panel



- (A) Pressing the main toggle button up or down will send data over the traveler wire (yellow) to the master Echo dimmer or switch.

Rear Panel



- (A) White Neutral - Return path for voltage.
- (B) Green Ground - Wire to Gnd.
- (C) Yellow Traveler - Wire to one or more Auxiliary Controls for multi-location control.

Device wires are all a five inch #16 AWG stranded wire.

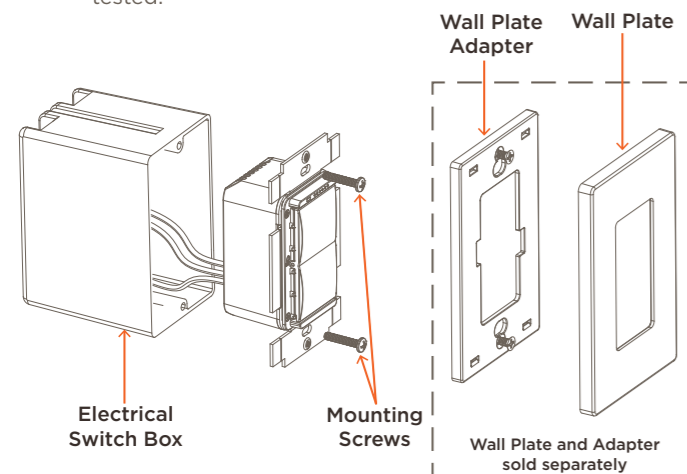
Electrician Removal/Installation

ELECTRIC SHOCK! The 120V AC, 60 Hz source power poses an electrical shock hazard that has the potential to cause serious injury to installers and end users.

IMPORTANT NOTES!

- A licensed electrician is required to install any of the Echo wireless lighting devices. Isolate and turn off power at the main breaker panel prior to installing any electrical devices.
 - For supply, neutral, and ground connections use only #14 AWG or larger solid copper wires (80°C) with insulation stripped to 5/8 in (16 mm).
1. At the main breaker panel, switch the breaker that supplies power to the circuit to Off.
 2. Unscrew the wall plate and remove. Verify power is removed using a 120V AC tester.
 3. Unscrew the two 6-32 flat head screws and remove the existing toggle/rocker switch.
 4. Disconnect wires from the existing device and remove the device. It is good practice to label each wire as it is removed. If not already identified, mark wires to ensure proper rewiring. Especially if the circuit employs a 3-way configuration.
 5. Connect the in-wall wires to the leads coming from the Echo Auxiliary Control using the supplied wire nuts or approved alternative. Refer to either the Wiring Diagrams or Rear View Descriptions section.
 6. Insert the Savant Auxiliary Control into the electrical switch box and secure with the 6-32 flat head screws provided. **DO NOT** use a powered screw driver. A powered screw driver can over tighten the screws.
 7. Re-establish power at the main breaker panel.
 8. To test:
 - If the Auxiliary Control is wired to a Echo wireless switch, toggle the main button to the On (up) position and observe the load turns On. Toggle the main button to the Off (down) position and observe the load turns Off.
 - If the Auxiliary Control is wired into a Echo wireless dimmer/keypad, press and hold the main button in the On (up) position and observe the load increases in intensity. Press and hold the main button in the Off (down) position and observe that the load decreases in intensity.

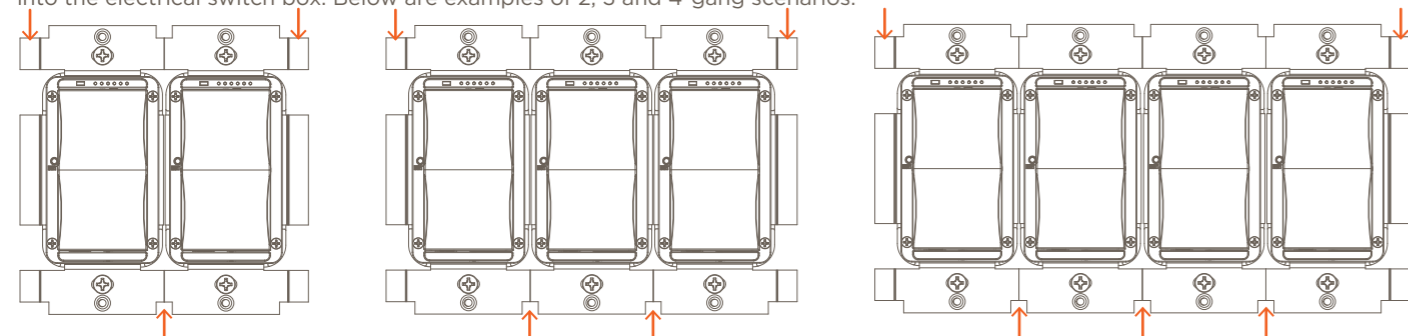
NOTE: This test assumes a Savant Echo, Switch, or Keypad that the Auxiliary Control is connected to has previously been wired and tested.



NOTE: Install the wall adapter to cover the metal yoke prior to applying power. If replacing a Echo style device, remove power before removing the wall plate adapter

Multi-Gang Installations

When combining multiple keypads into a multi-ganged box, the outside tabs from one or both sides of each device so they all fit into the electrical switch box. Below are examples of 2, 3 and 4-gang scenarios.

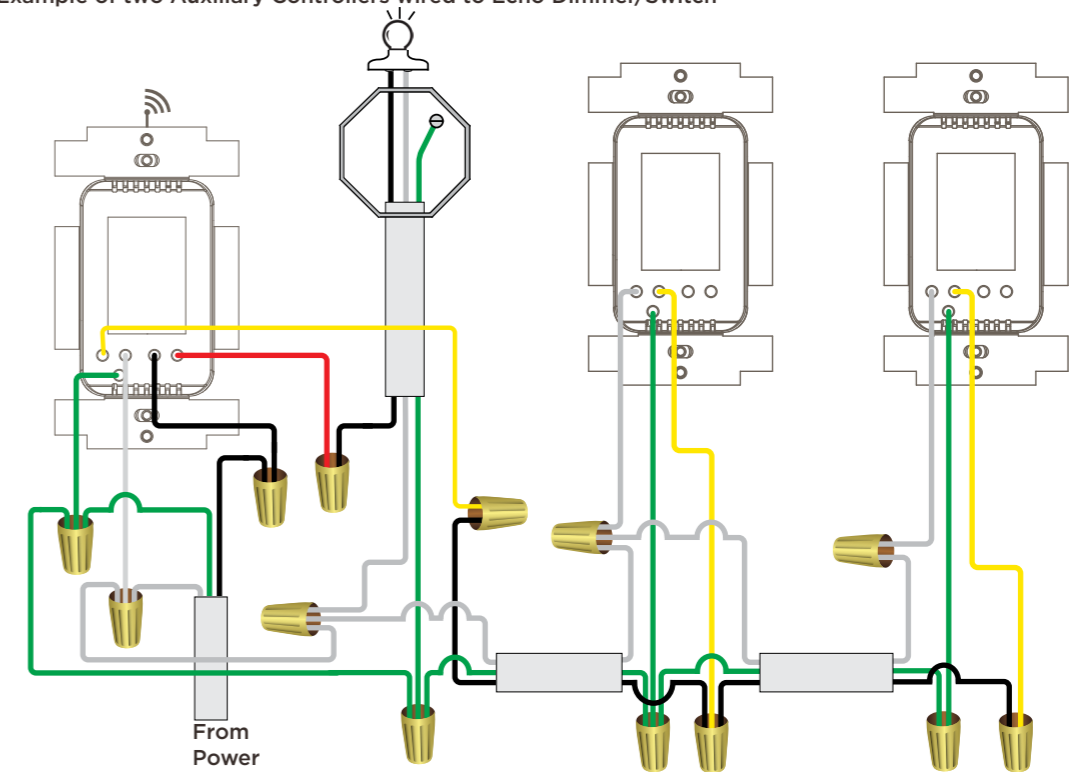


- Tabs are removed from both sides of the inside gang devices.
- Tabs are NOT removed from outside edges of the devices at the end of each gang.

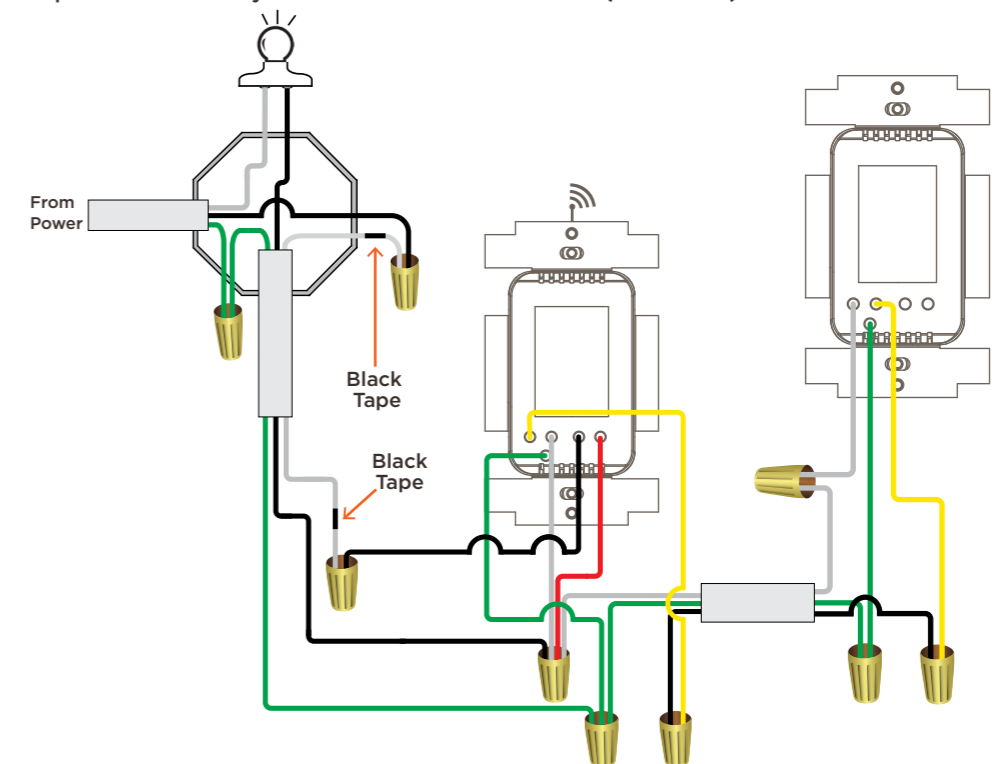
Wiring Diagrams

The diagrams below display how to wire the Echo Auxiliary Control as a companion to the Echo Dimmer/Switch. Both the basic wiring as well as the No Neutral diagrams are shown. Any unused wires must have the bare wire portion (stripped end) cut off and the wire must be capped with a wire nut.

Example of two Auxiliary Controllers wired to Echo Dimmer/Switch



Example of one Auxiliary Control wired to Echo Dimmer (No Neutral)



WARNINGS:

- Using the Echo Dimmer or Keypad in a No Neutral configuration with loads other than incandescent is not supported.
- The Echo Switch is not supported in a No Neutral 3-way configuration.