

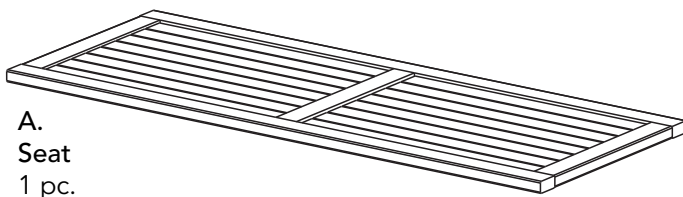
IMPORTANT

Carefully remove all the parts from the carton and place them individually on a soft cloth to prevent scratches or other damage.

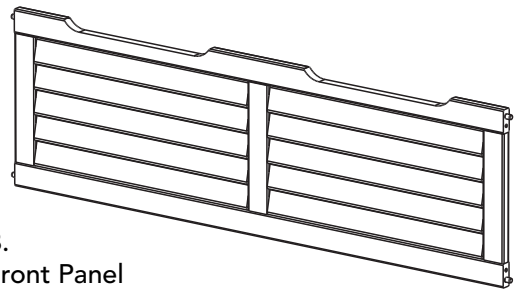
Carefully and strictly follow these assembly instructions to ensure a completed product as designed.

Do not use power tools above 8 volts to assemble.

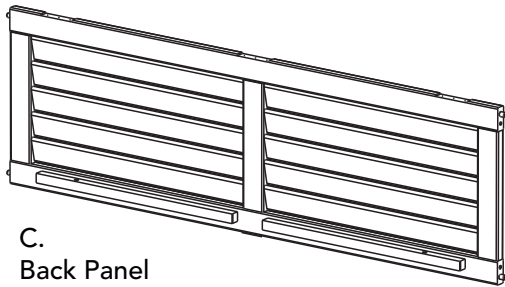
Part List



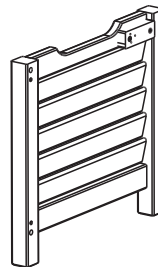
A.
Seat
1 pc.



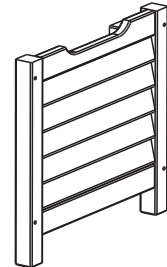
B.
Front Panel
1 pc.



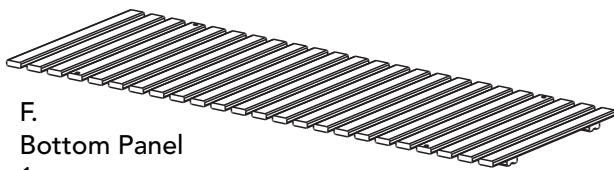
C.
Back Panel
1 pc.



D.
Side Panel
1 pc.

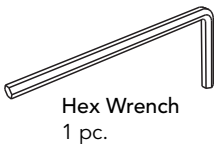


E.
Side Panel
1 pc.

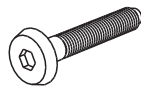


F.
Bottom Panel
1 pc.

Hardware List



Hex Wrench
1 pc.



M6x30
Head Cap Bolt
4 pcs. (+1 extra)



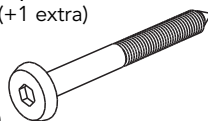
Steel Plate A
2 pcs.



M3.5x16
Wood Screw
19 pcs. (+1 extra)



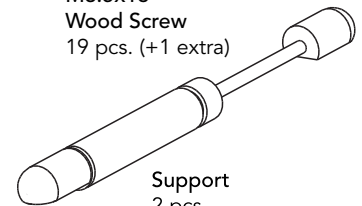
Small Hex Wrench
1 pc.



M7x90
Assembly Screw
8 pcs. (+1 extra)



Steel Plate B
2 pcs.



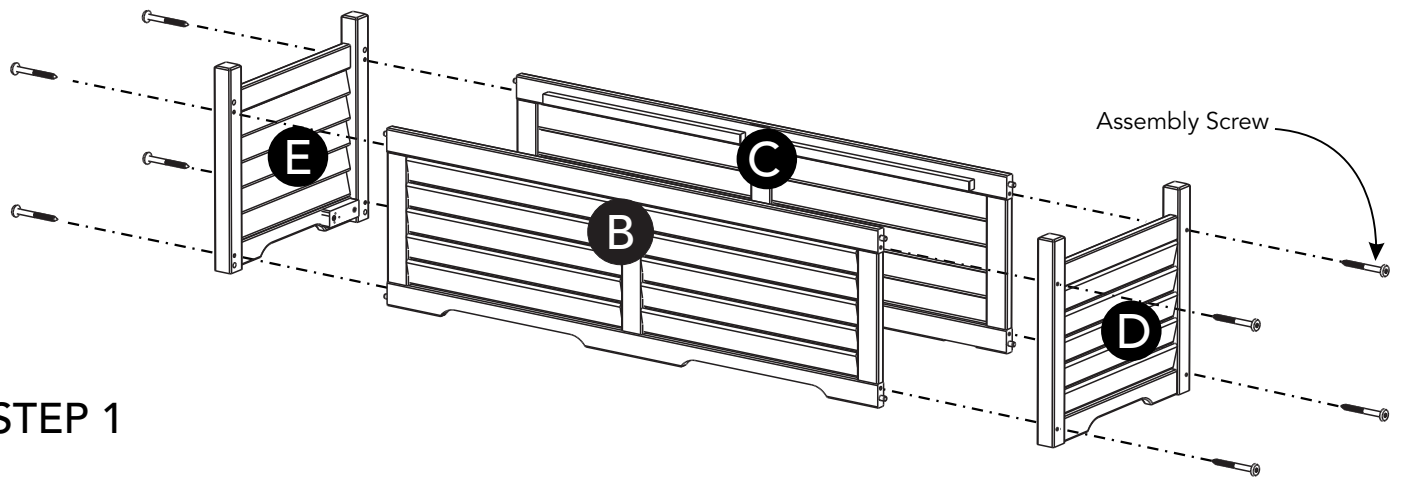
Support
2 pcs.

Tool(s) required for assembly: Phillips screwdriver

Assembly Instructions 2/3

IMPORTANT

- Use a soft cloth between these parts and the floor.
- Do not use power tools above 8 volts to assemble.
- Do not tighten all the bolts and assembly screws until each part is properly assembled.
- Keep Hex Wrench as the bolts and assembly screws may need to be tightened in the future.



STEP 1

Attach Front Panel (B) and Back Panel (C) to Side Panel (D) with Assembly Screws.
(See Figure 1)

Attach Side Panel (E) to unit with Assembly Screws.

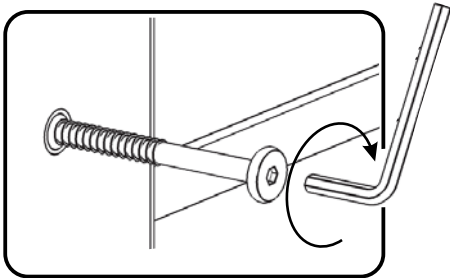


Figure 1

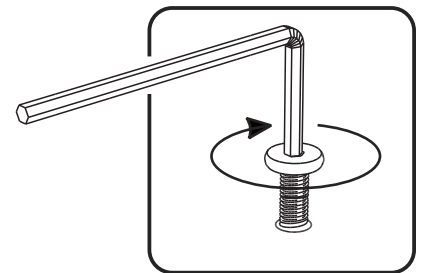
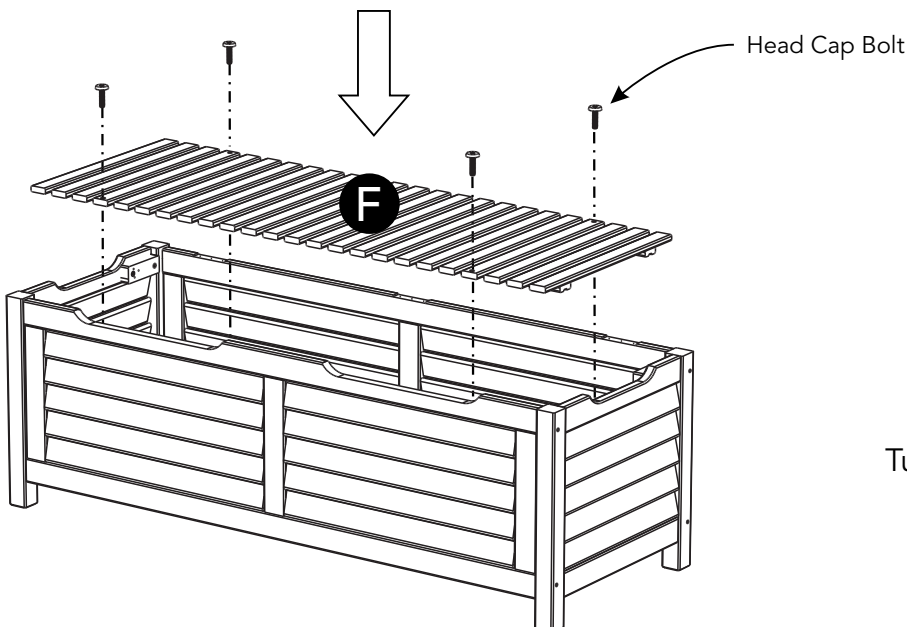


Figure 2

STEP 2

Turn unit over to its upright position.

Attach Bottom Panel (F) to unit
with Head Cap Bolts.
(See Figure 2)

Assembly Instructions 3/3

STEP 3

Attach Seat (A) to unit with Wood Screws.
(See Figure 3)

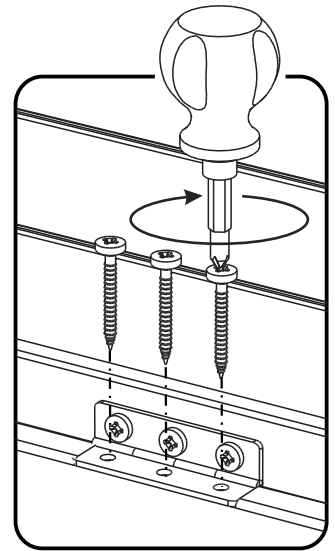
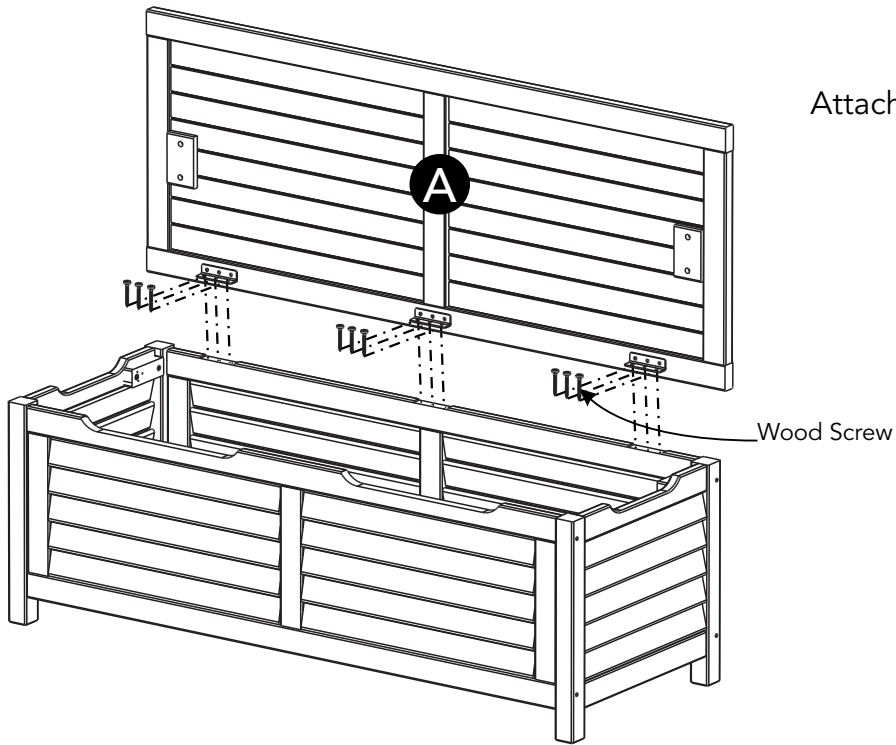


Figure 3

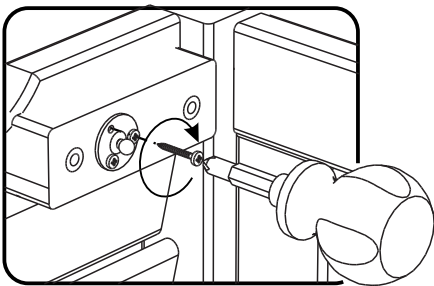


Figure 4

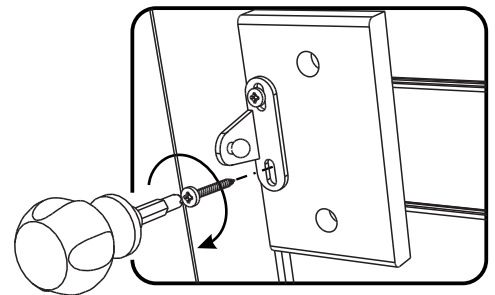
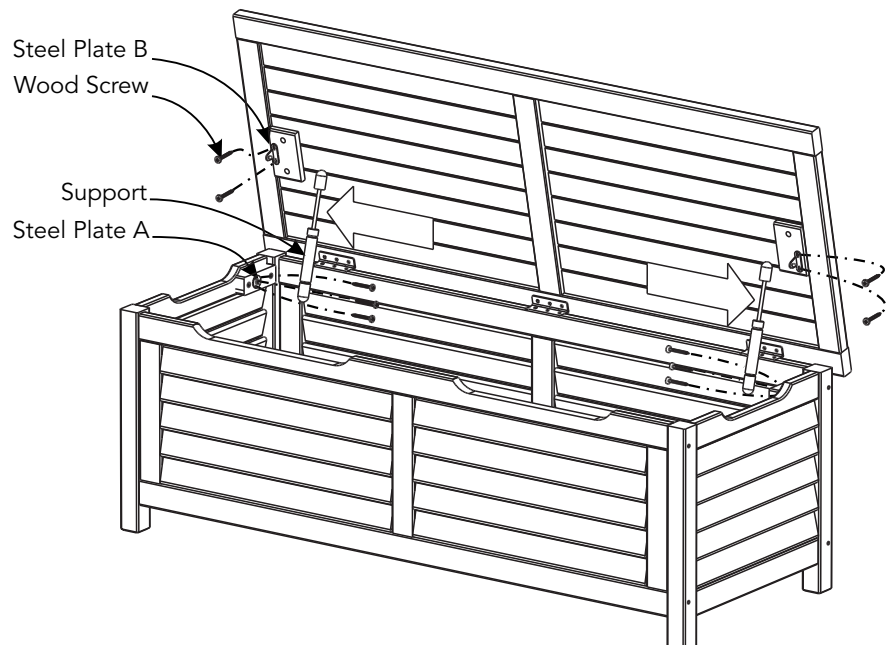


Figure 5

STEP 4

Attach Steel Plates A and Steel Plates B to unit with Wood Screws.
(See Figures 4 and 5)

Attach Supports to Steel Plates A and Steel Plates B.



CARE INSTRUCTIONS

Advisory Notes

- Do not use power tools above 8 volts to assemble.
- Periodic structural checks of this furniture should be undertaken. Do not use if there are any doubts about its fitness for purpose.
- Exercise care so as to not trap fingers in any of the hinged parts of this furniture.
- Always use on firm level ground, ensuring that all legs remain in contact with the ground.
- Do not stand on a chair or sit or stand on any other item.
- Do not let children play with this furniture.
- This furniture should be stored under cover during periods of adverse weather (wet or cold) and during winter. Clean and dry thoroughly before storage.

Tannin Exudation

Tannin is a naturally occurring substance which may exude from the surface of some wood species and may stain the surface of hard areas such as patios or decks. To clean tannin marks use a proprietary cleaning product or a water-based wood restorer containing oxalic acid. Stains must be removed within 1-2 days of them occurring. Care should be exercised to follow the manufacturer's guidelines of the cleaner used and test a small area first to determine its effectiveness. This is especially important on wooden decking areas where the existing surface finish may be lifted due to the application of the cleaning agent. If decking has become discolored from the cleaning, it can be restored with a suitable wood finish.

Maintenance

In order to maintain the appearance of the wood, regular coatings of linseed oil must be applied. The frequency will depend on the weather conditions experienced.

- Refer to the manufacturer's guidelines of the linseed oil used.
- Apply the linseed oil with a clean cloth, wiping it directly onto the wood surface.
- Treat all surfaces of the furniture. Ensure that any hidden surfaces, such as those exposed when the furniture is turned upside down, are adequately treated. Care should be given to wipe the end grain, to all joints and to crevices that may have been caused by damage.
- Let the surface dry out. This can take 4-12 hours depending on weather conditions.
- Repeat the above steps with at least 2 more coats of oil. Extra coats may leave a semi-gloss sheen once the oil has dried, but excess oil can be wiped off with a clean cloth.
- **IMPORTANT:** Cloths with linseed oil may be a fire hazard. Immediately after use, saturate all cloths used for applying linseed oil with water and dispose of safely outside the home.

If left untreated, this furniture will turn a grayish color. Light sanding can restore the original color after which linseed oil can be applied. Fine surface cracks may occur over time from weathering, but these won't affect the structural integrity of the furniture.

homestyles will provide replacements free of charge for missing or damaged parts within 1 year of purchase. Digital images of the defective parts may be required. If the product was not purchased from an authorized retailer, **homestyles** is under no obligation to provide replacement parts. Parts are not available for fully assembled items nor are parts available for sale. Replacements for missing or damaged parts may be requested via contact info below.

**homestyles Customer Service: www.homestylesfurniture.com,
servicedesk@homestylesfurniture.com, 888-680-7460**