



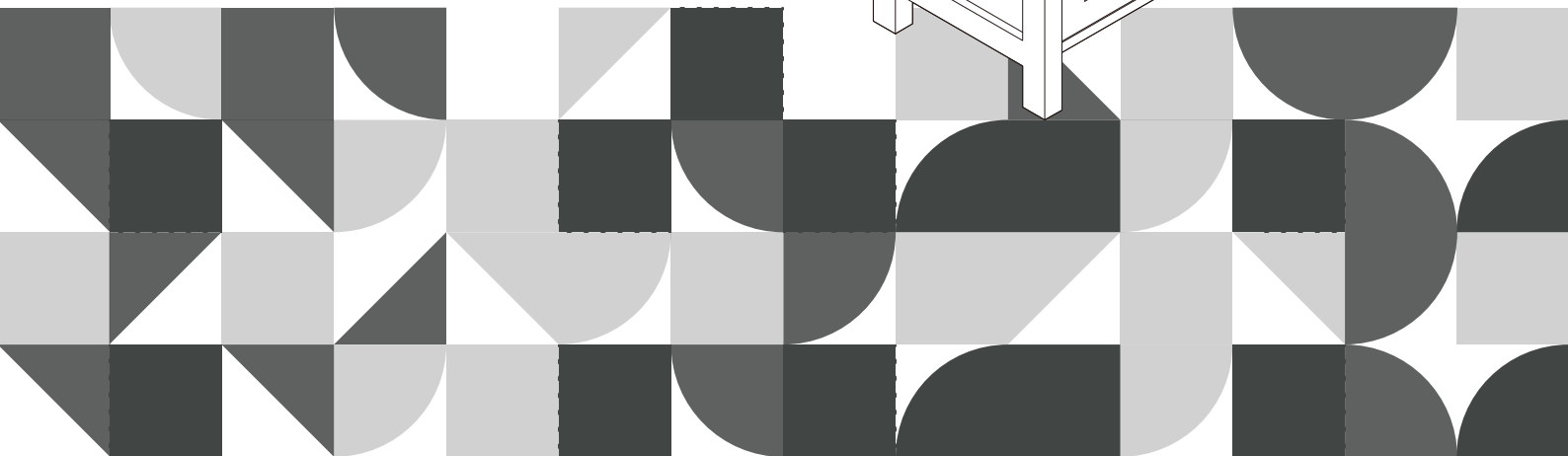
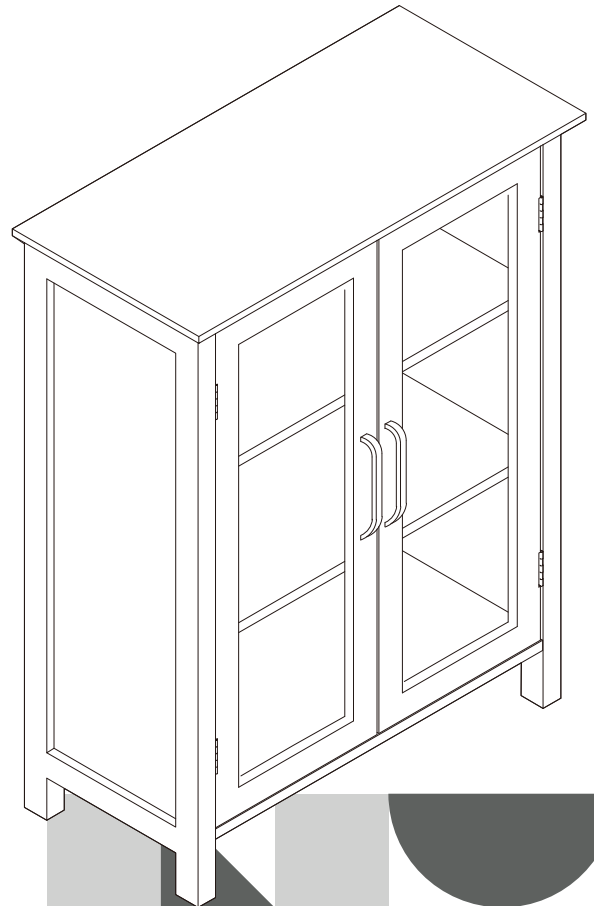
**Extended Warranty
Sign Up**

E-1

Welcome home!

ELG-542

**TEAMSON HOME
Avery Floor Cabinet with
2 Doors- Wood Veneer
with Oil Oak Finish**





**Questions? Comments? Need help?
Call or email us any time!**

Global Customer Service

USA

+1(800)935-3959

Mon - Fri 10:00am ~ 2:00pm EST
✉ support@teamson.com

EU/UK

+44(0)1952-916-050

Mon - Thu 9:00am ~ 5:00pm GMT
Friday 9:00am ~ 4:00pm GMT
✉ support@teamson.co.uk

ASIA

深圳办公室:

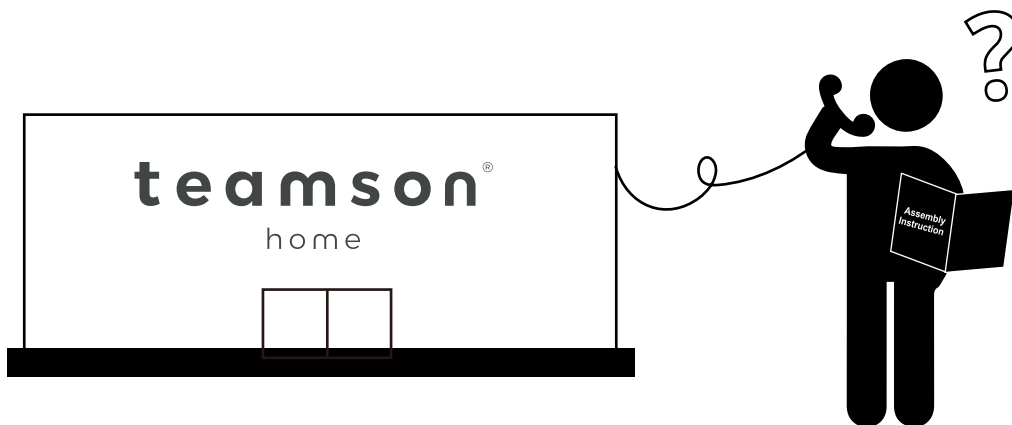
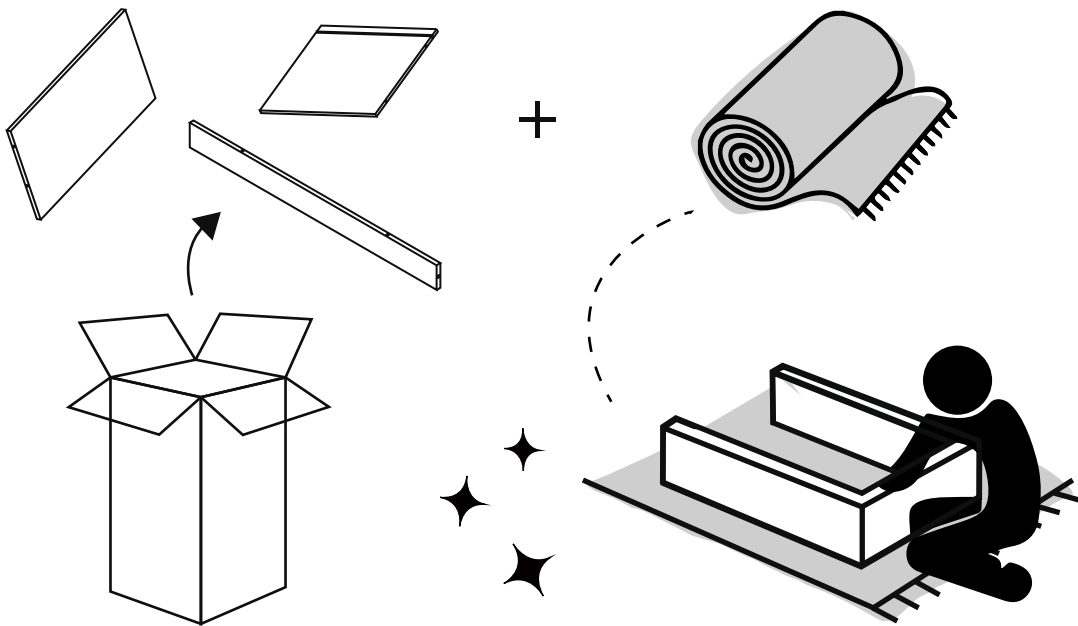
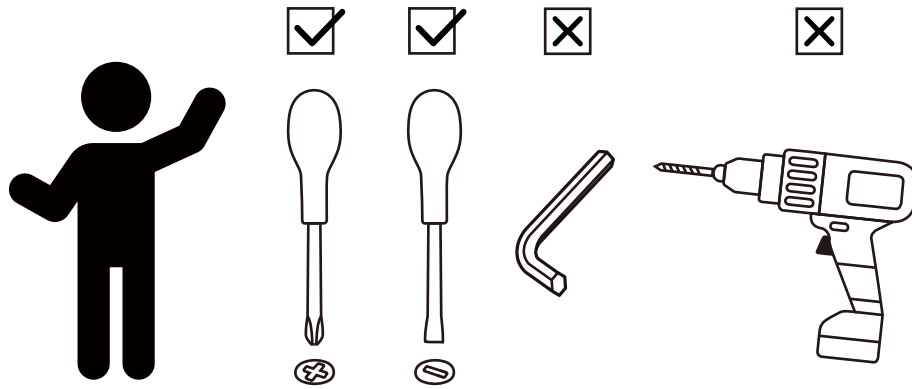
+86(0755)8885-3558.分机号331

Mon - Sat 9:00am ~ 5:00pm GMT+8
✉ sales_ec@teamson.com

台北办公室:

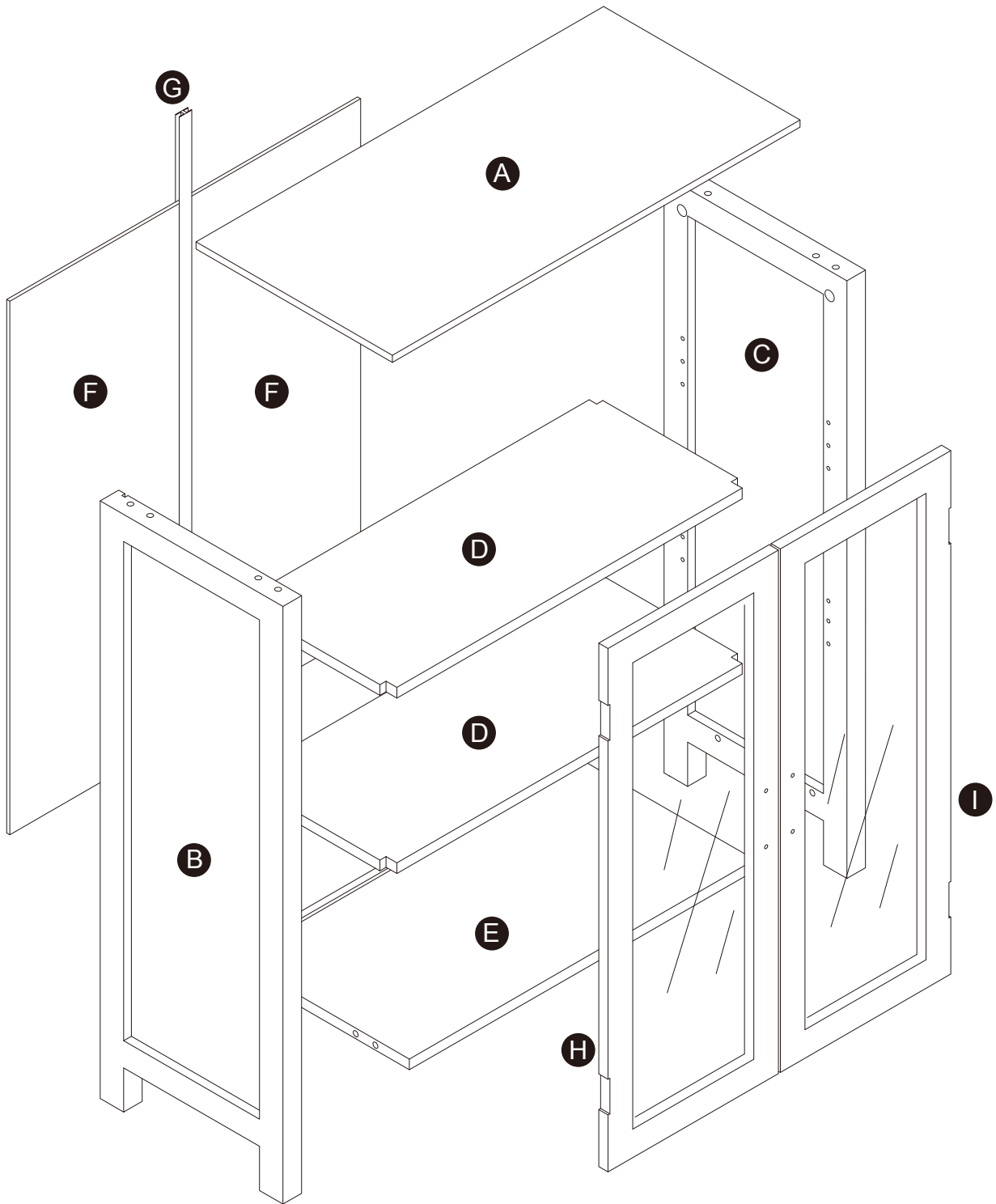
+886(2)2556-6268

Mon - Fri 9:00am ~ 5:00pm GMT+8
✉ sales_ec@teamson.com



** Got questions? Please have your product code (on the first page of this instruction, e.g. TD-12345A) and the order number ready, give us a call or email us through our customer care support! We are always ready to assist you!

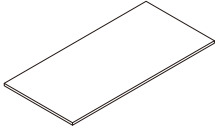
Exploded Drawing



Scan for assembly instructions.

Product Parts

A



1 PC

B



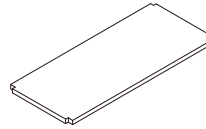
1 PC

C



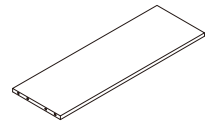
1 PC

D



2 PCS

E



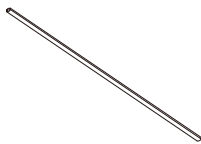
1 PC

F



2 PCS

G



1 PC

H



1 PC

I



1 PC

! Care Instructions

Dust surface with a dry soft cloth. Do not use window cleaners or cleaning abrasives as they will scratch the surface and could damage the protective coating

! WARNING

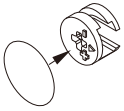
Small parts and sharp edges may be present prior to assembly.



Scan for assembly instructions.

Hardware

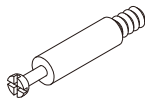
1



Ø15*12mm

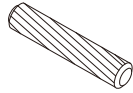
8 PCS

2



8 PCS

3



Ø8*30mm

8 PCS

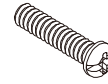
4



Ø3*12mm

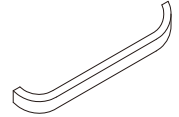
8 PCS

5



4 PCS

6



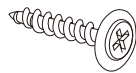
2 PCS

7



8 PCS

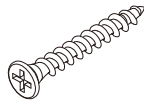
8



Ø3*12 D=7

16 PCS

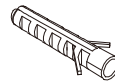
9



Ø4*25mm

2 PCS

10



1 PC

11



1 PC

12

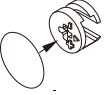


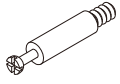
2 PCS



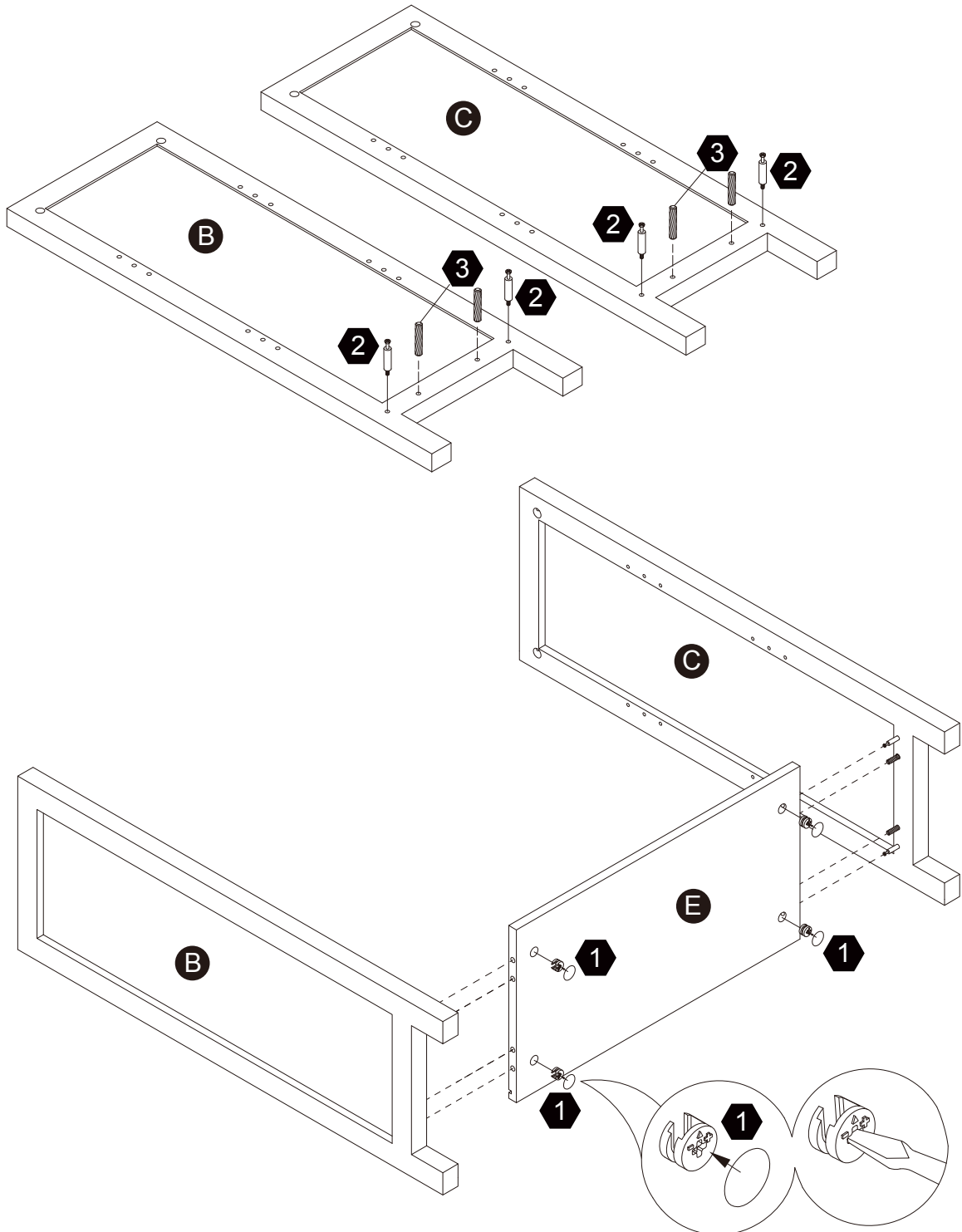
Scan for assembly instructions.

Step 1

1  4 pcs
Ø15*12mm

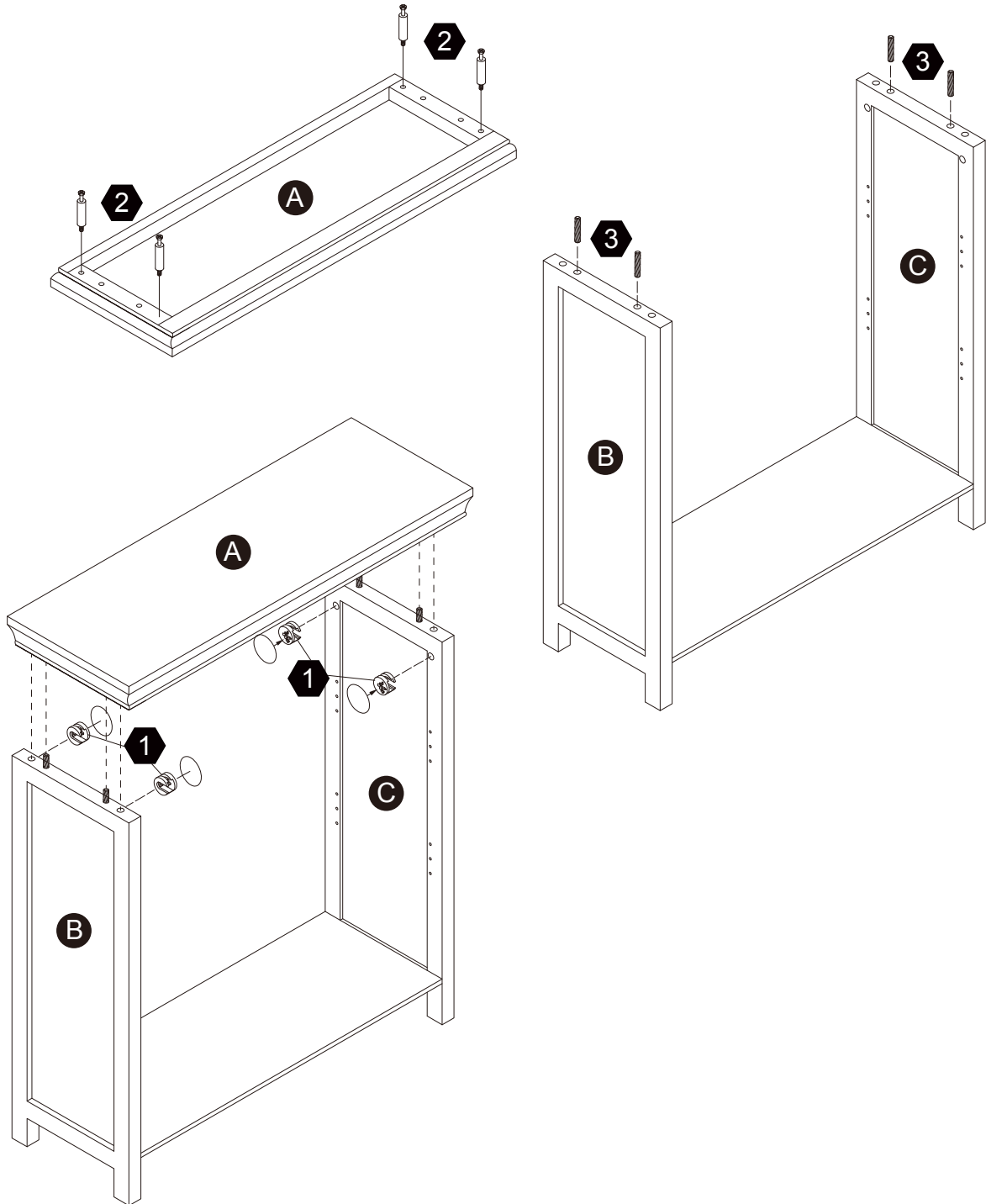
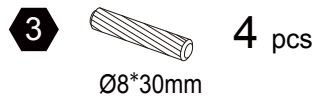
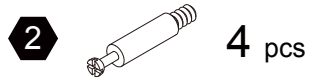
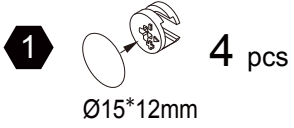
2  4 pcs

3  4 pcs
Ø8*30mm



Scan for assembly instructions.

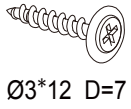
Step 2



Scan for assembly instructions.

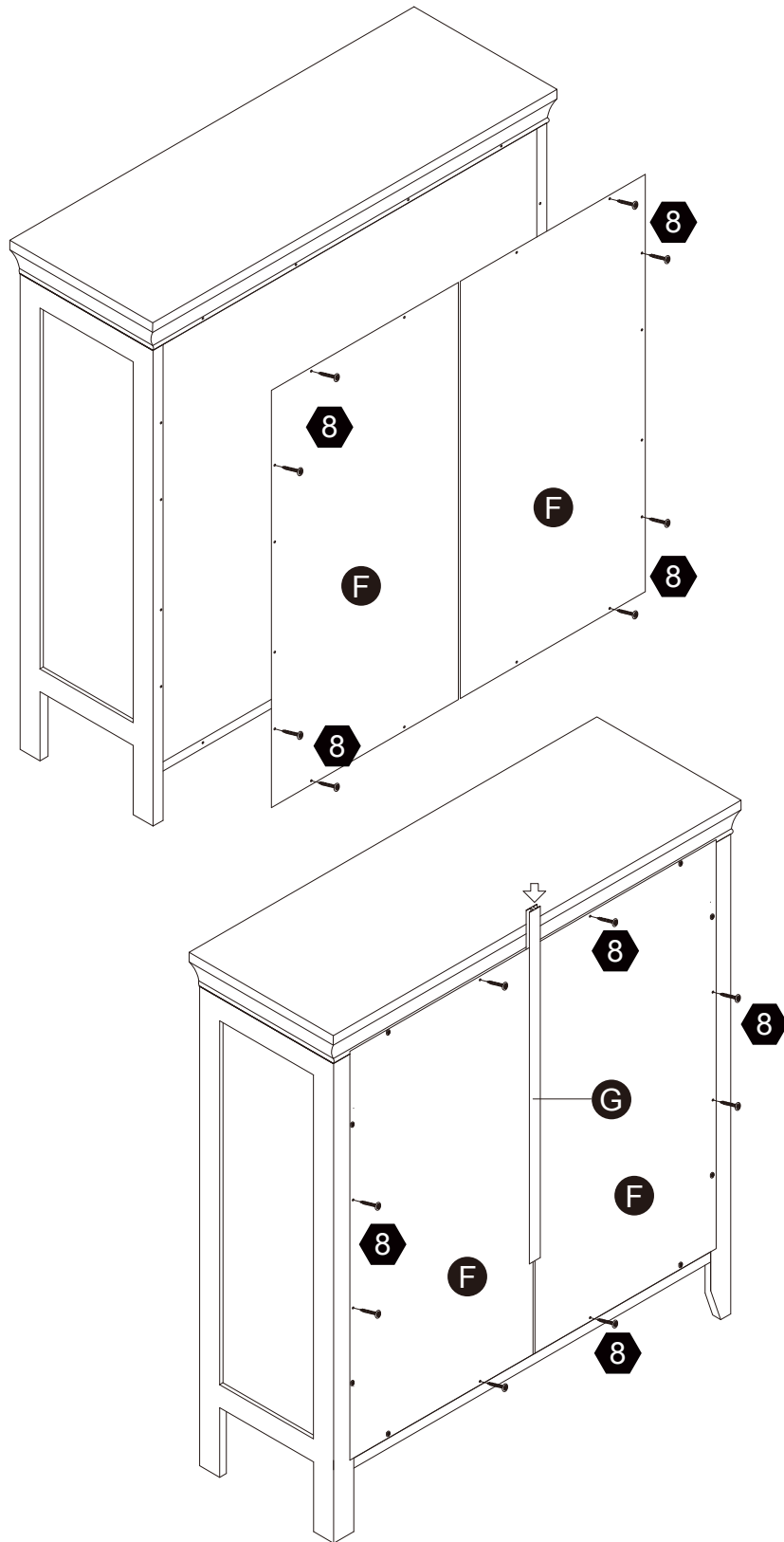
Step 3

8



16 pcs

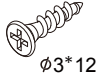
Ø3*12 D=7



Scan for assembly instructions.

Step 4

4



8 pcs

5

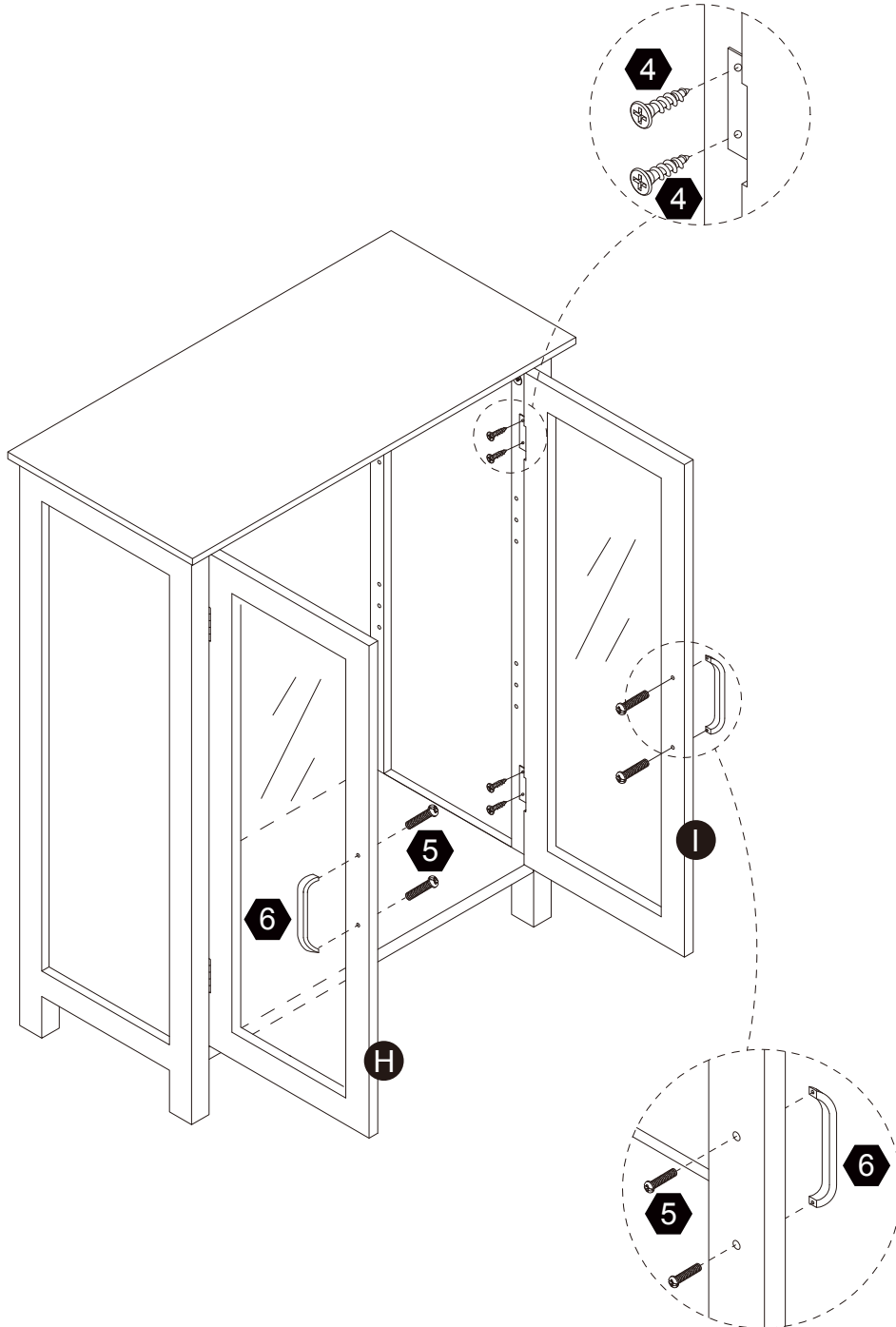


4 pcs

6



2 pcs



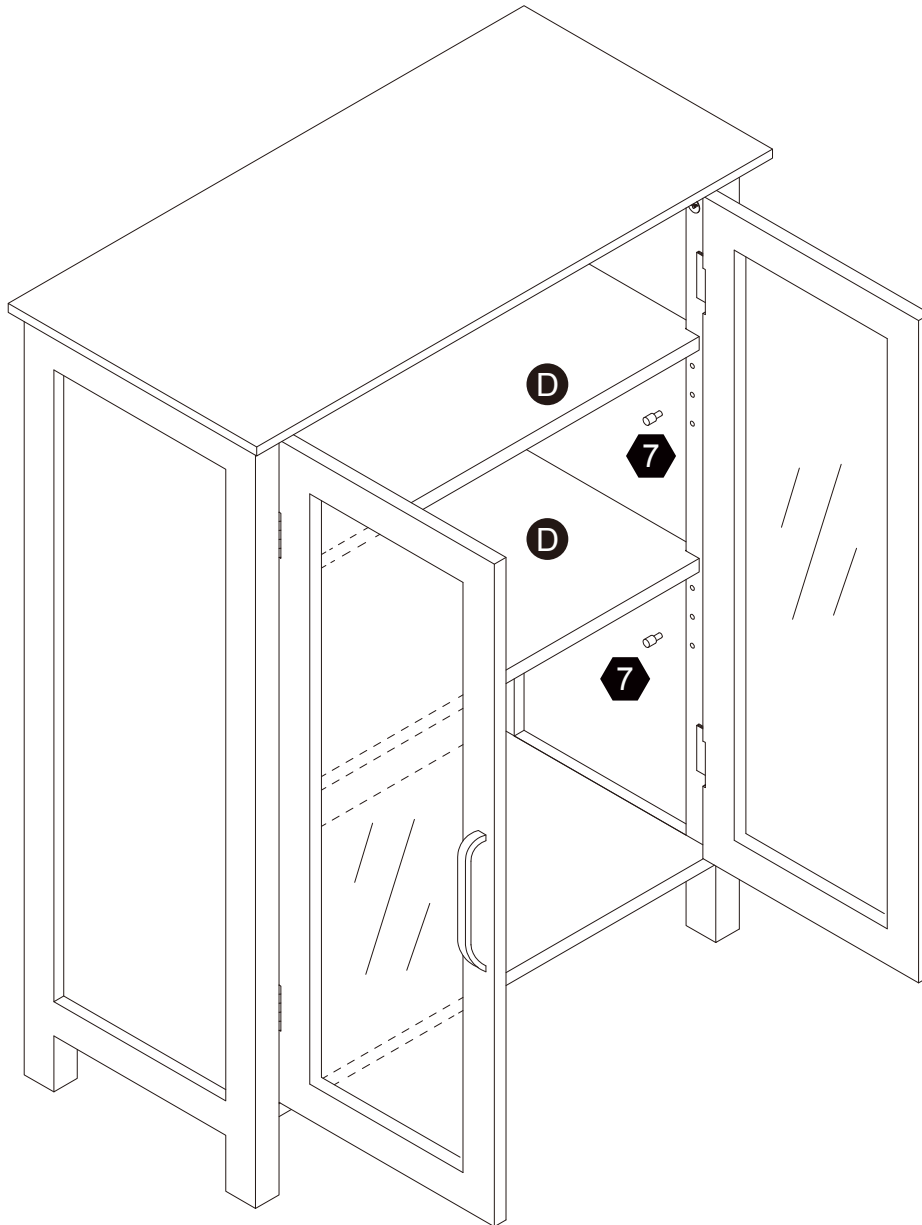
Scan for assembly instructions.

Step 5

7

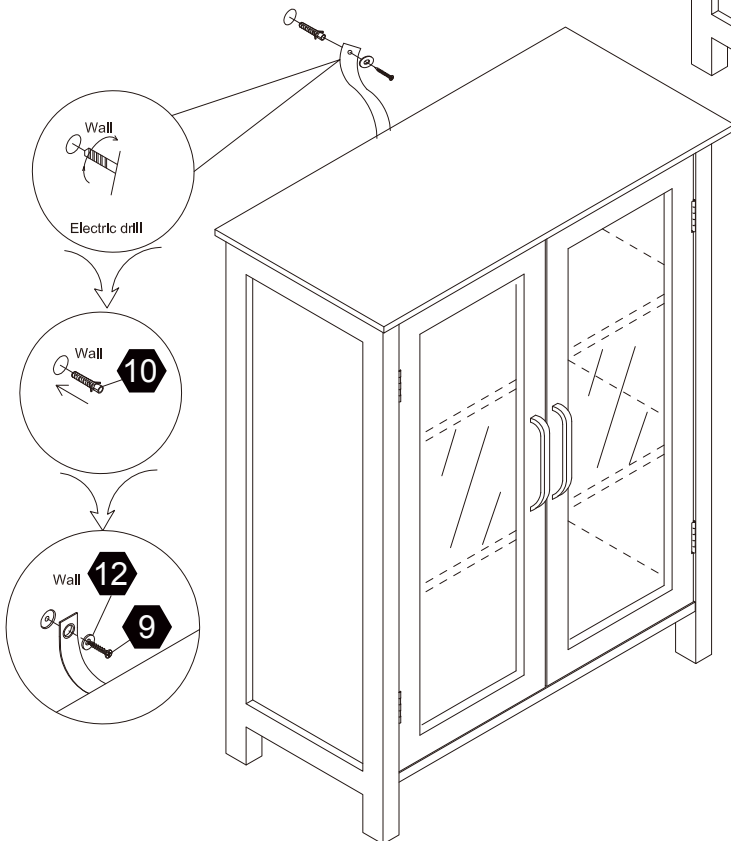
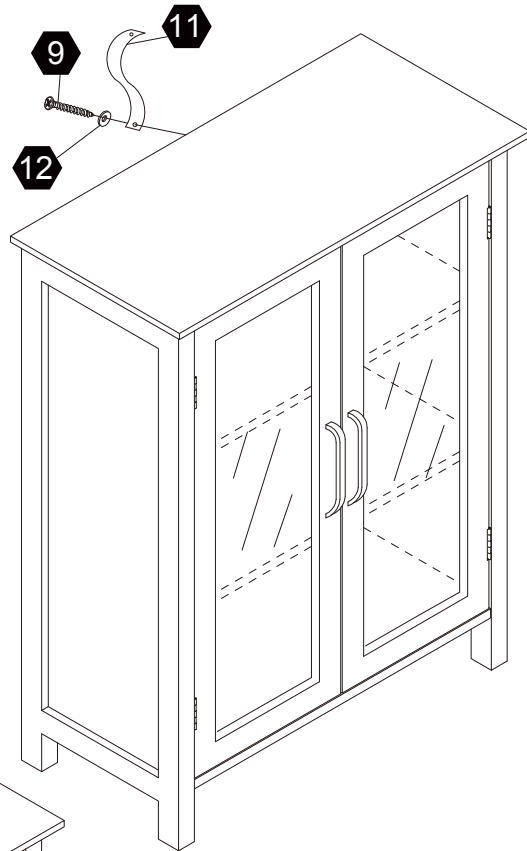


8 pcs



Scan for assembly instructions.

Step 6



Scan for assembly instructions.