

Assembly Guide



Bush
FURNITURE

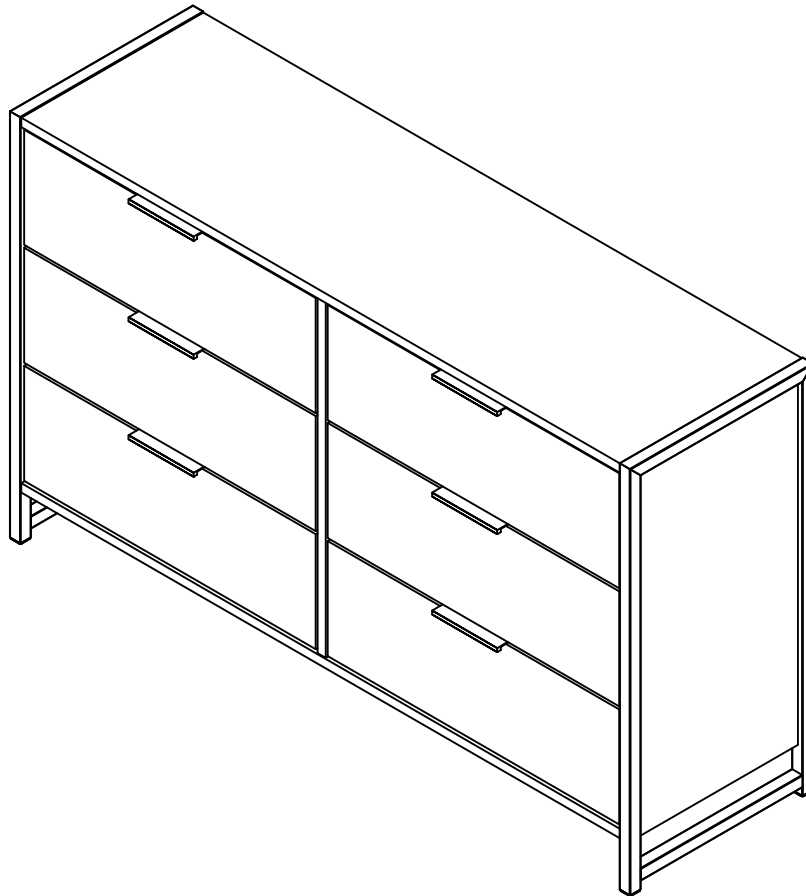


If you're having any difficulty during assembly of this product, don't hesitate to call us at **1-800-950-4782.**

Our customer service experts are trained to provide step-by-step instruction and can easily replace any missing or damaged parts.

Representatives are available Monday-Friday from 8:30 a.m. to 7:30 p.m. (ET)

6 Drawer Dresser



Lot Code #

Instruction Sheet Number A191494A

Keep manual for future reference.

For best results, keep these tips in mind:

- ① We know you want to finish this assembly as quickly as possible, but trust us: you'll have a better experience if you take it one step at a time.
- ② Give yourself some room to work near where you want the fully assembled product.
- ③ If your floor isn't carpeted, assemble this product on the empty carton to avoid scratching.
- ④ Do you have a friend who owes you a favor? Some steps may go a little easier with a second set of hands.

DOs

- ✔ Use a #2 Phillips head screwdriver (or other handheld tools as indicated)
- ✔ Wear safety glasses at all times during assembly
- ✔ Carefully follow the instructions in this guide and complete all steps in order
- ✔ Give us a call if you're having trouble with a particularly tricky step

DON'Ts

- ✘ We know power tools are quick and easy, but you shouldn't use them when assembling this product (unless otherwise specified)
- ✘ Never move your furniture with items inside or resting on the surface
- ✘ Do not attempt to use this product before all steps have been completed

Watch assembly videos right on your phone or computer!



Some steps include QR codes that link to helpful videos. Watch out for the icon below! Simply open up your smartphone camera to scan the code.

(Users of older smartphones may need to install a QR Reader.)

SCAN HERE



FOR VIDEOS

Or visit <https://bushfurniture.com/help-faq/#assembling>



IMPORTANT SAFETY INFORMATION



PLEASE READ WARNINGS

Improper use can cause safety hazards, or damage to your furniture and household items.

Warning	Do	Don't	Why it's important
Serious injury may occur.	<ul style="list-style-type: none">Assemble following all instructions using all indicated parts and hardware provided.Install tip-over restraint provided.Install every indicated nail and/or screw.Verify furniture is stable on it's own.Place heaviest items in the lower drawers.Remove items that might tempt kids to climb, such as toys and remote controls from the top and upper shelves of furniture.	<ul style="list-style-type: none">Do not move unit when loaded.Do not load with a television or other heavy equipment.Do not exceed the maximum load limits stated in the instructions.Do not defeat, alter or remove the drawer interlock system.Do not allow children to stand, climb, or hang on furniture.Do not open more than one drawer a time.	Improper assembly, use or loading can lead to product instability, tipover, or collapse.

Advertencia	Hacer	No	Por qué es importante
Pueden producirse lesiones graves.	<ul style="list-style-type: none">Realice el montaje siguiendo todas las instrucciones y utilizando todas las piezas indicadas y los herrajes suministrados.Instale el sistema de retención antivuelco suministrado.Instale todos los clavos y/o tornillos indicados.Compruebe que el mueble sea estable por sí mismo.Coloque los objetos más pesados en los cajones inferiores.Retire los objetos que puedan tentar a los niños a trepar, como juguetes y mandos a distancia, de los estantes superiores y superiores del mueble.	<ul style="list-style-type: none">No mueva la unidad cuando esté cargada.No cargue el mueble con un televisor u otro equipo pesado.No supere los límites máximos de carga indicados en las instrucciones.No desactive, modifique ni retire el sistema de enclavamiento de los cajones.No permita que los niños se pongan de pie, trepen o se cuelguen de los muebles.No almacene equipos electrónicos en estanterías cerradas o sin ventilación.	El montaje, uso o carga inadecuados pueden provocar inestabilidad, vuelco o colapso del producto.

IMPORTANT SAFETY INFORMATION



PLEASE READ WARNINGS

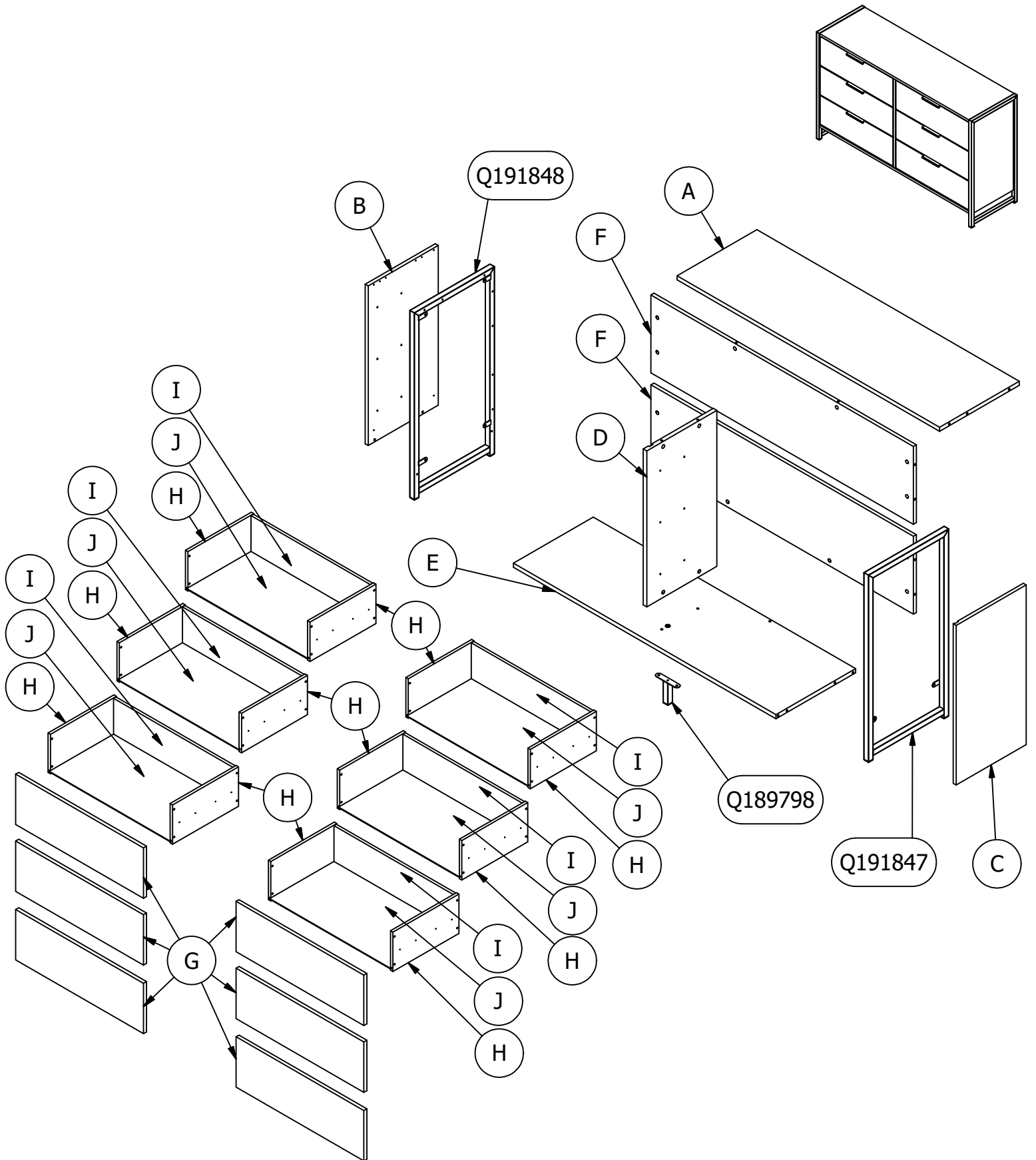
Improper use can cause safety hazards, or damage to your furniture and household items.

Avertissement	À faire	À ne pas faire	Pourquoi c'est important
Peut entraîner des blessures graves.	<ul style="list-style-type: none">• Assembler en suivant toutes les instructions et en utilisant toutes les pièces et la quincaillerie incluses.• Installer le matériel de fixation mural inclus.• Installer tous les clous et/ou toutes les vis.• Assurez-vous que le meuble soit stable par lui-même.• Placer les objets les plus lourds dans les tiroirs du bas.• Retirer les objets qui pourraient inciter les enfants à grimper comme les jouets et les télécommandes des tablettes supérieures et du dessus du meuble.	<ul style="list-style-type: none">• Ne pas déplacer le meuble lorsqu'il est chargé.• Ne pas charger le meuble avec un téléviseur ou tout autre équipement lourd.• Ne pas dépasser les limites de poids maximales indiquées dans les instructions.• Ne pas désactiver, modifier ou retirer le système de verrouillage du tiroir.• Ne pas laisser les enfants se tenir sur les meubles, y grimper ou s'y suspendre.• Ne pas ouvrir plus d'un tiroir à la fois.	Un assemblage, une utilisation ou un chargement incorrects peuvent entraîner l'instabilité, le basculement ou l'effondrement du produit.

This product meets tip stability safety specification for clothing storage units. ASTM F2057-19.

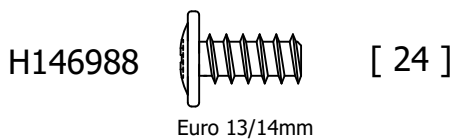
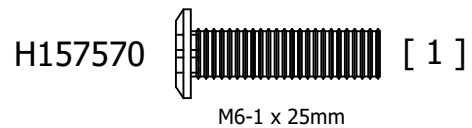
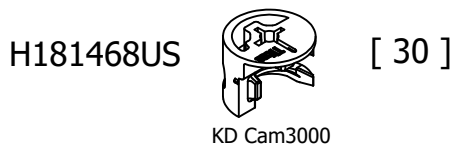
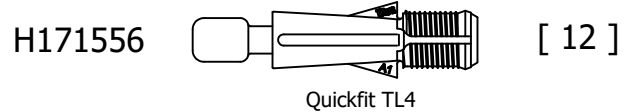
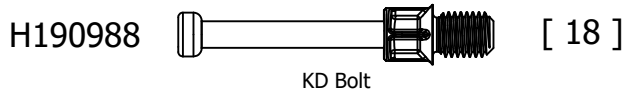
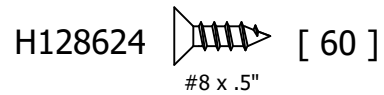
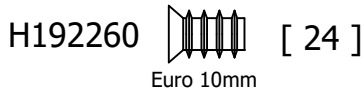
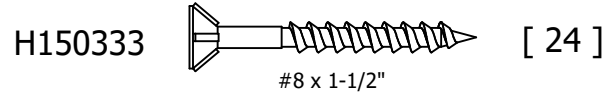
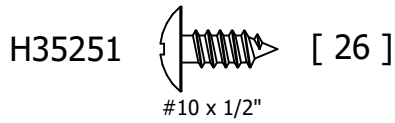
Ce produit est conforme à la norme sur les spécifications de sécurité en matière de stabilité pour les unités de rangement de vêtements. ASTM F2057-19.

Este producto es conforme a la norma relativa a las especificaciones de estabilidad en materia de seguridad aplicables a los muebles para guardar ropa. ASTM F2057-19.



Have an assembly question or need a replacement part? Just call
1-800-950-4782, we are here to help.

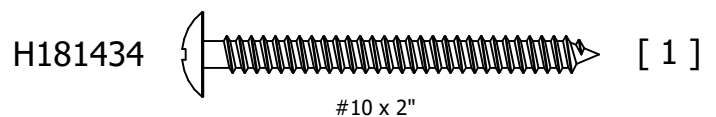
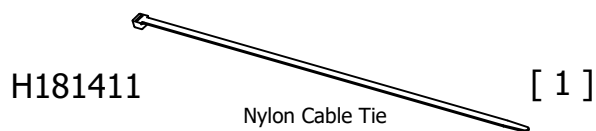
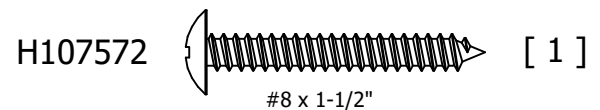
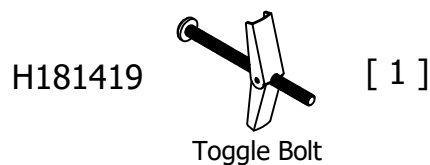
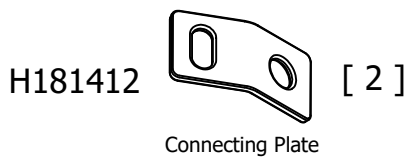
Fasteners are shown actual size.



TIPOVER RESTRAINT HARDWARE

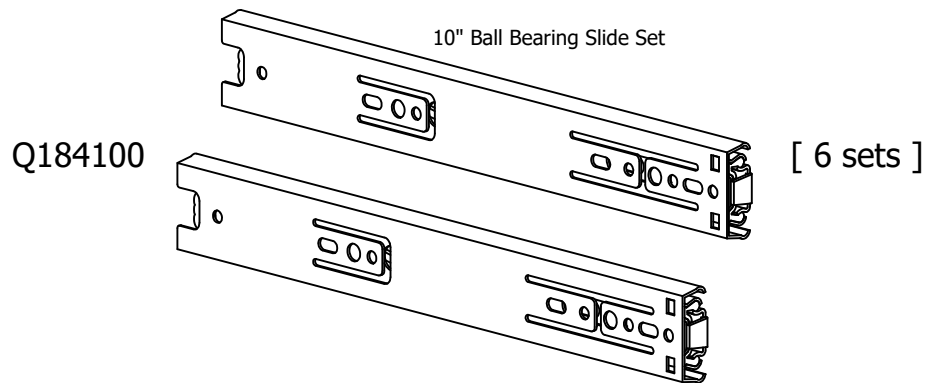
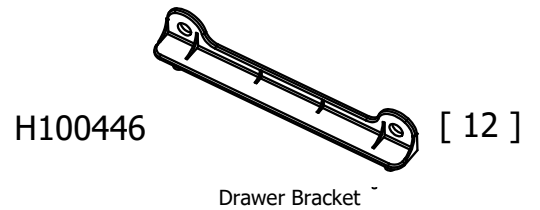
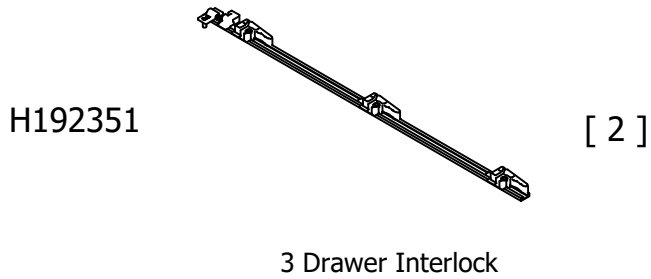
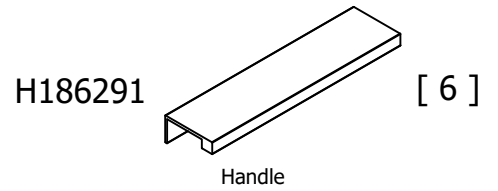
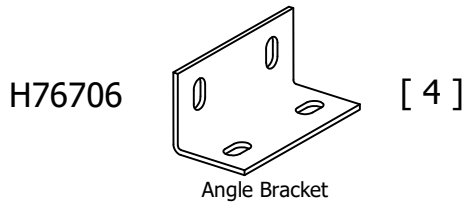
HERRAMIENTAS DE SUJECIÓN EN CASO DE VUELCO

MATÉRIEL DE FIXATION MURALE



Have an assembly question or need a replacement part? Just call
1-800-950-4782, we are here to help.

Hardware not to scale.

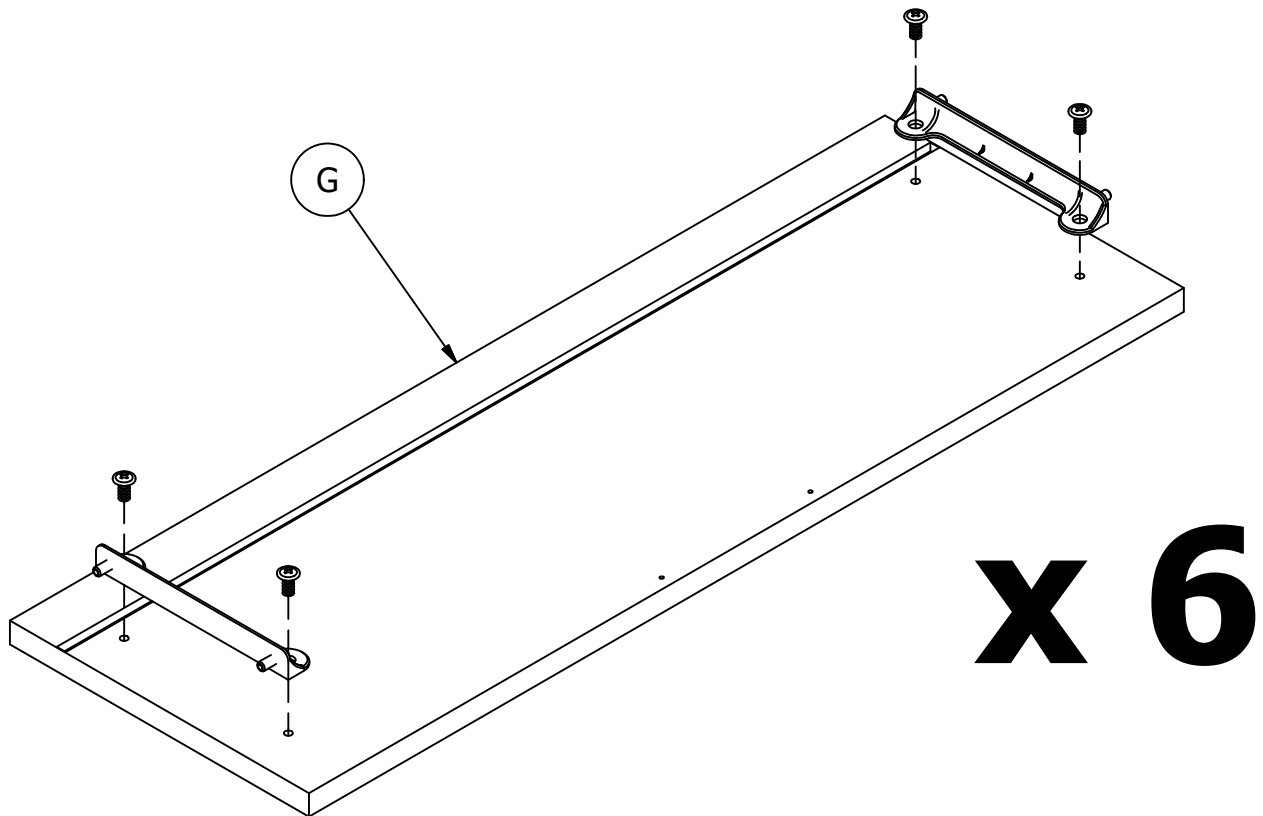
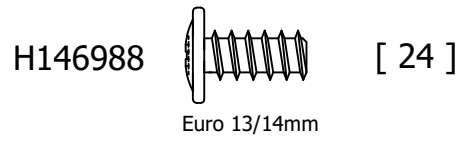
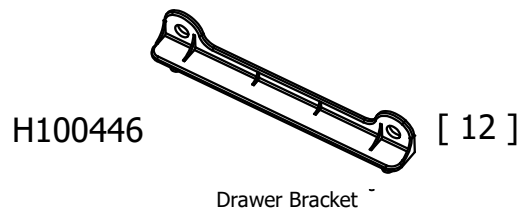


Have an assembly question or need a replacement part? Just call **1-800-950-4782**, we are here to help.

STEP 1

Prepare Panels

A191494A




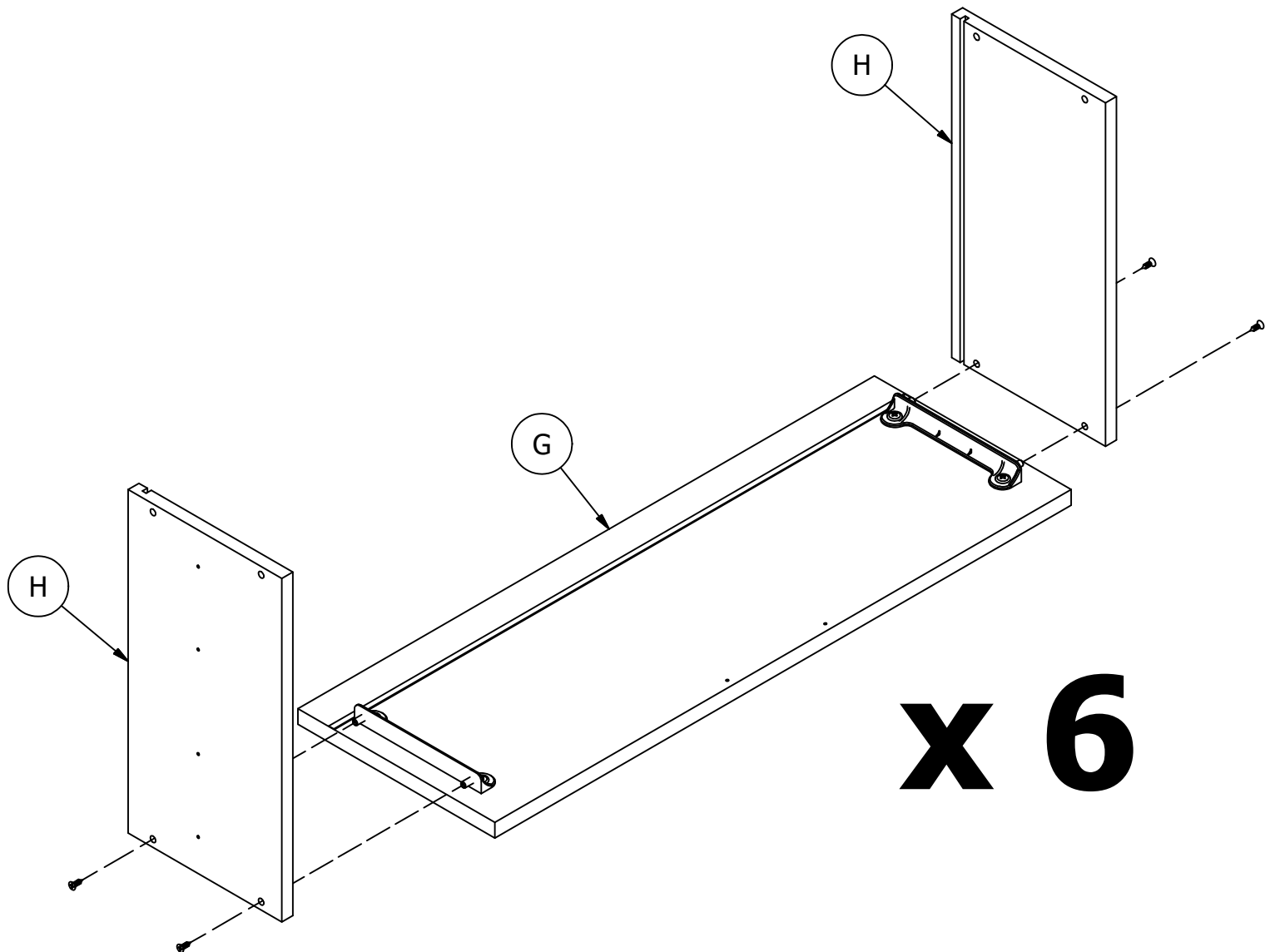
Have an assembly question or need a replacement part? Just call
1-800-950-4782, we are here to help.

STEP 2

Assemble Panels

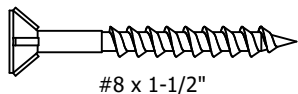
A191494A

H128624  [24]
#8 x .5"



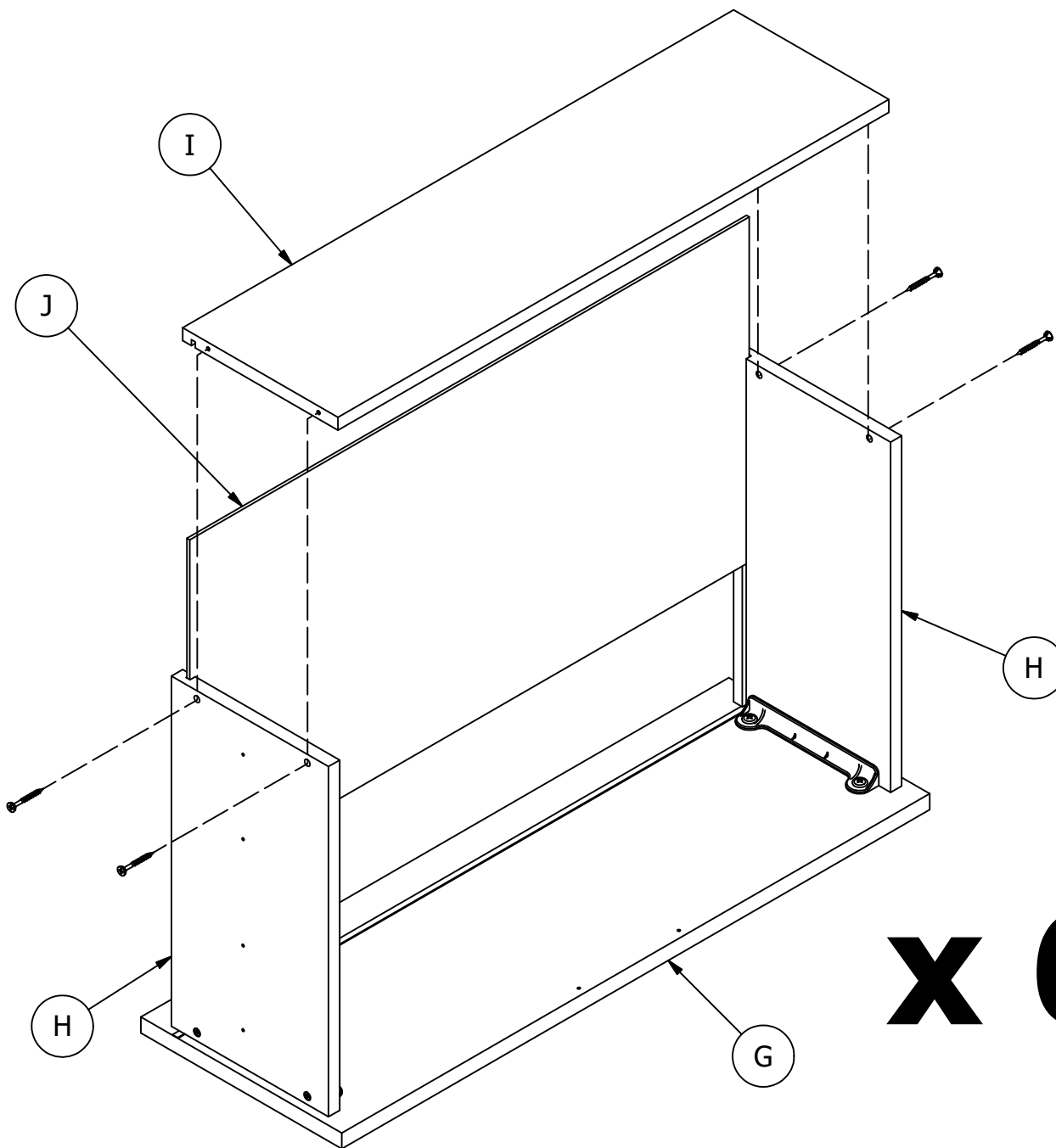
Have an assembly question or need a replacement part? Just call
1-800-950-4782, we are here to help.

H150333



[24]

#8 x 1-1/2"



Have an assembly question or need a replacement part? Just call
1-800-950-4782, we are here to help.

Scan QR Code to Watch Video on:

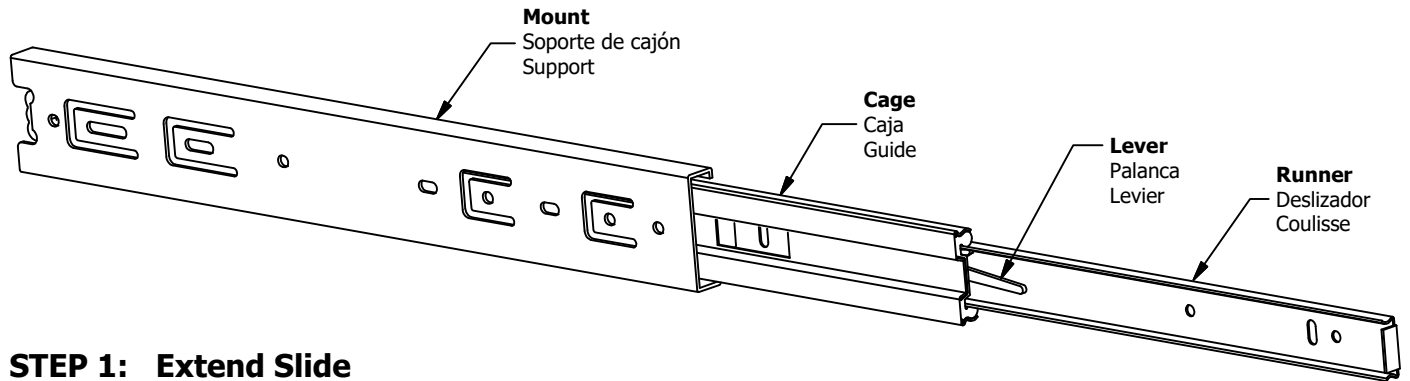


How to Separate and Install Drawer Slides

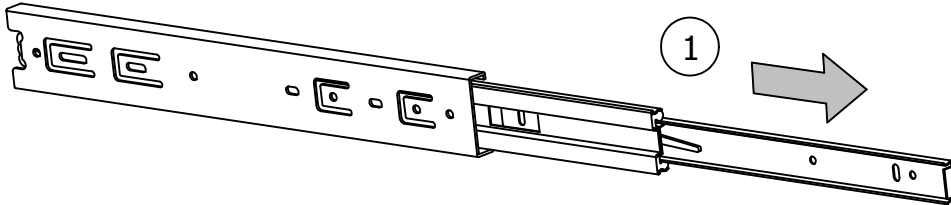
**Slides Must Be Separated Before Assembly.
After Separated, Set Aside Until Needed for Assembly.**

Las correderas de los cajones deben separarse antes del montaje. Después de haberlas separado, déjelas a un lado hasta que sean necesarias para el ensamblaje.

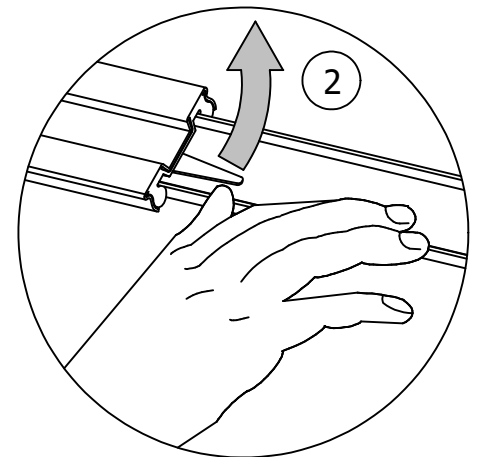
Les glissières doivent être séparées avant l'assemblage.
Une fois séparées, mettez-les de côté jusqu'au moment de l'assemblage.



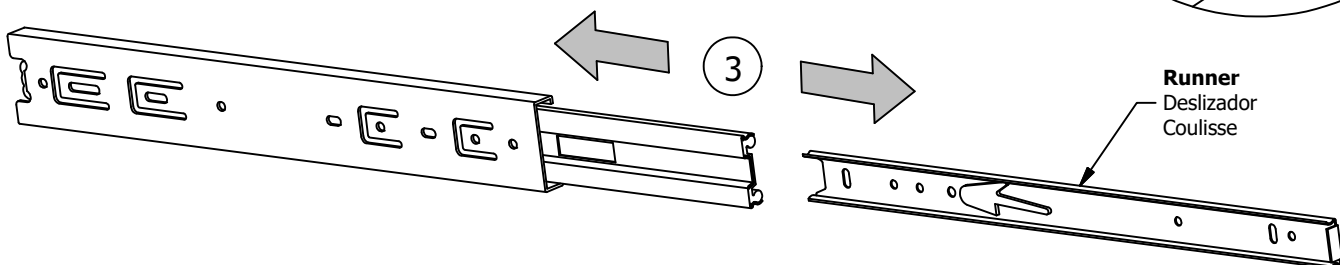
STEP 1: Extend Slide
Extienda la corredera
Déployer la glissière



STEP 2: Push Lever UP
Empuje la palanca
hacia arriba
Pousser le levier
vers le haut



STEP 3: Remove Runner
Quite el deslizador
Retirer la coulisse



Have an assembly question or need a replacement part? Just call **1-800-950-4782**, we are here to help.

STEP 5

Attach Hardware

A191494A

Scan QR Code to Watch Video on:

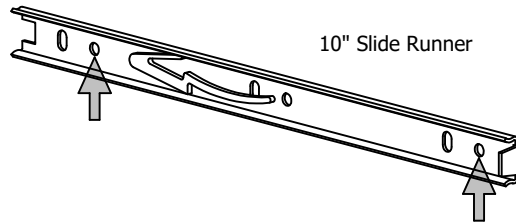


How to Separate and Install Drawer Slides

H128624 [24]
#8 x .5"

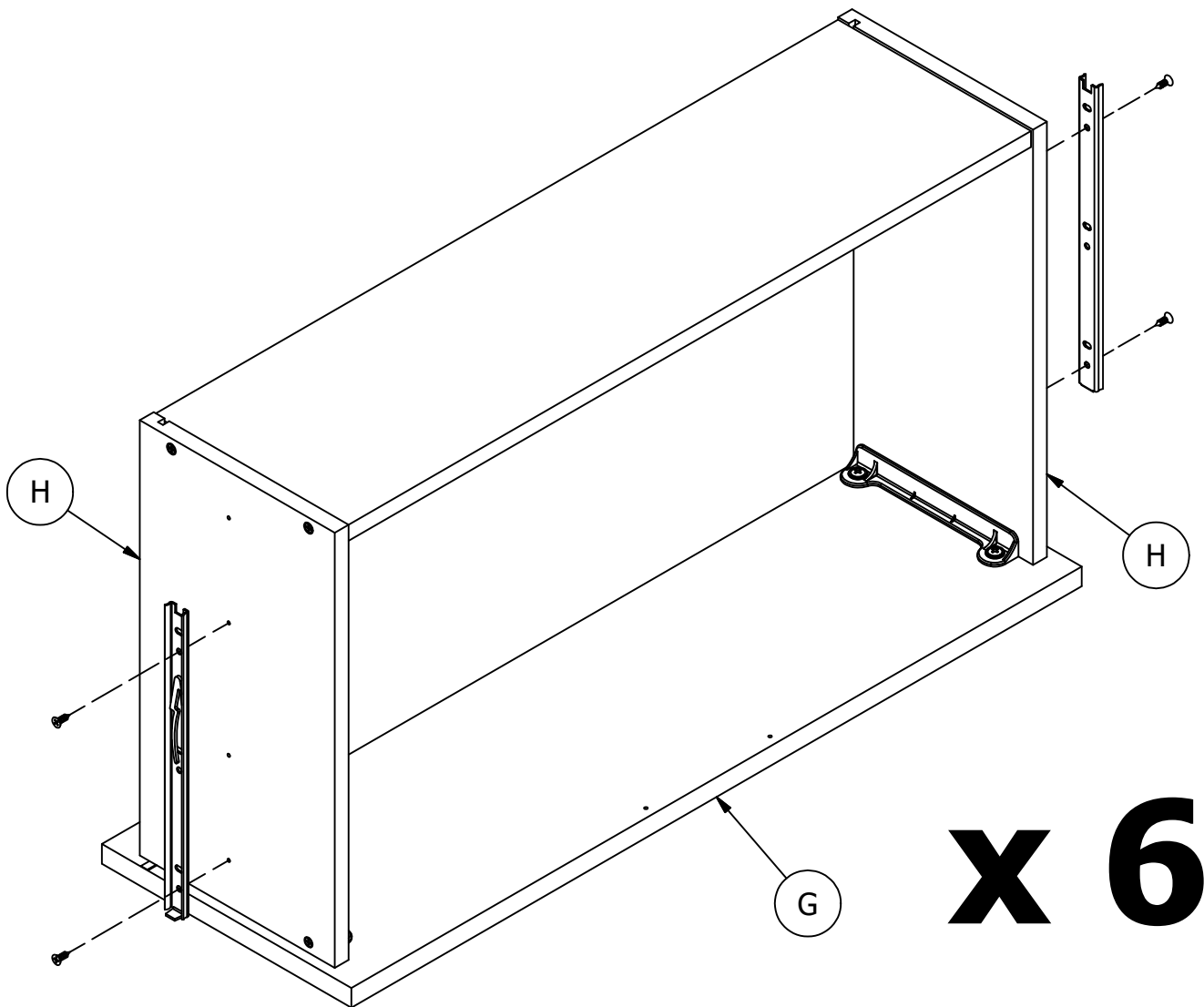


Q184100



10" Slide Runner

[12]

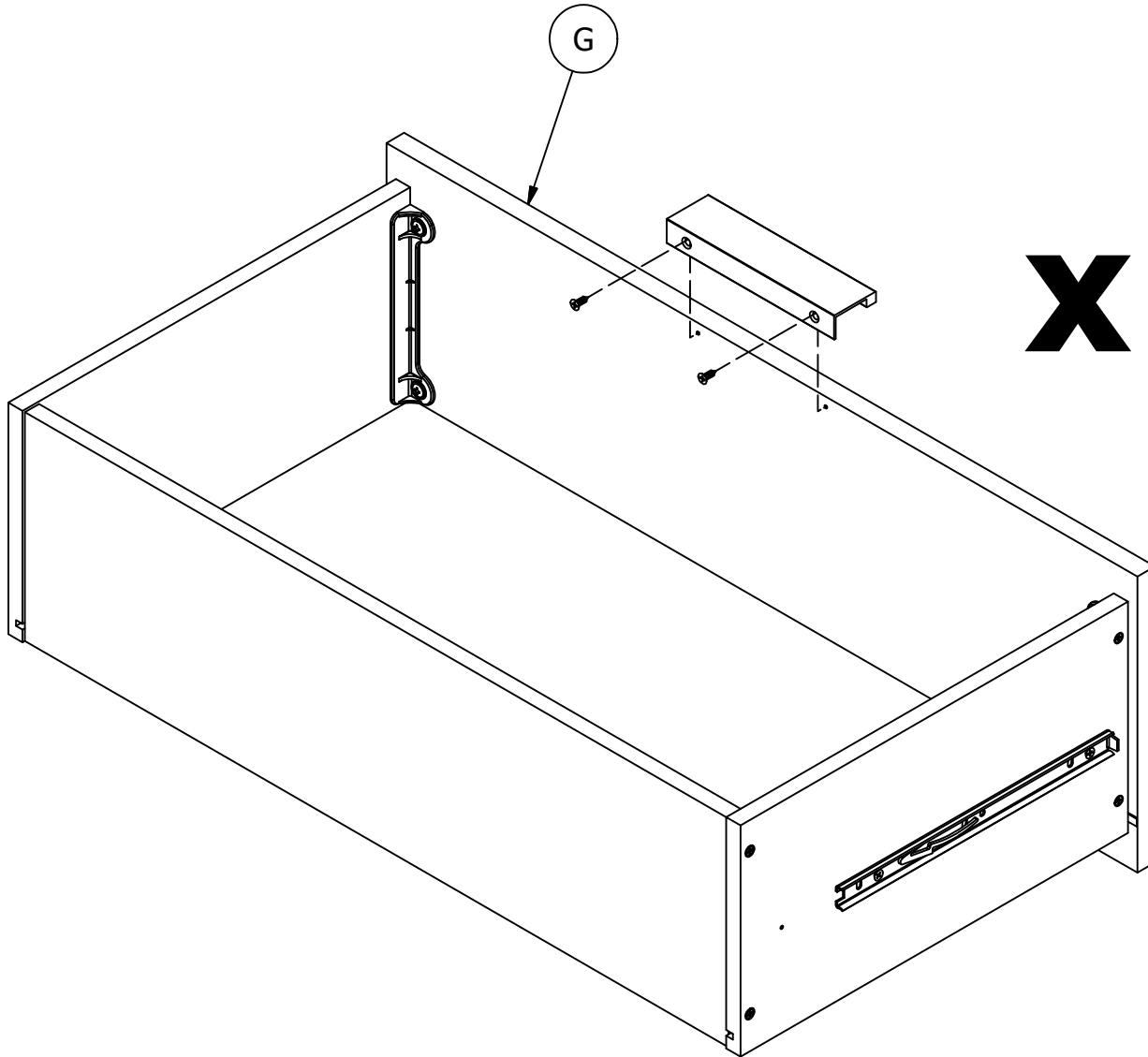
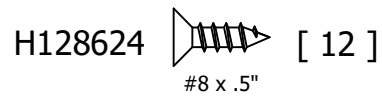
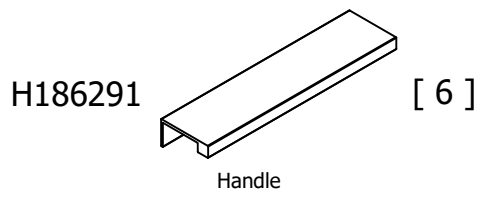


Have an assembly question or need a replacement part? Just call **1-800-950-4782**, we are here to help.

STEP 6

Attach Hardware

A191494A



x 6

Have an assembly question or need a replacement part? Just call
1-800-950-4782, we are here to help.

STEP 7

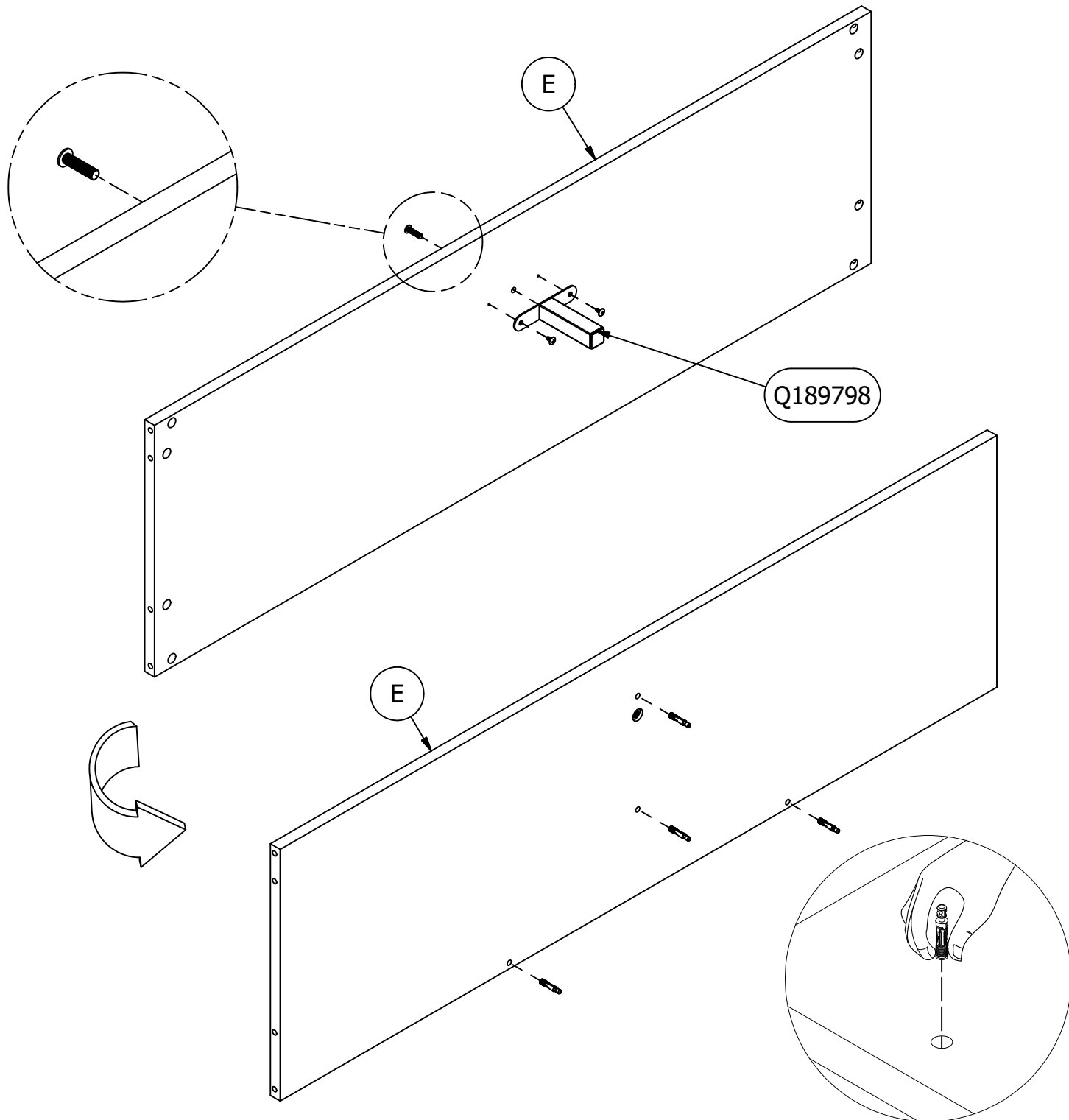
Prepare Panel

A191494A

H35251 [2]
#10 x 1/2"

H157570 [1]
M6-1 x 25mm

H171556 [4]
Quickfit TL4



Have an assembly question or need a replacement part? Just call
1-800-950-4782, we are here to help.

STEP 8

Assemble Panels

A191494A

Scan QR Code to Watch Video on:

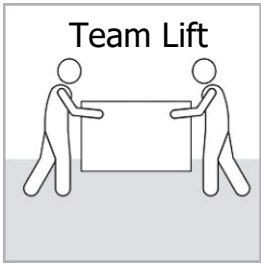
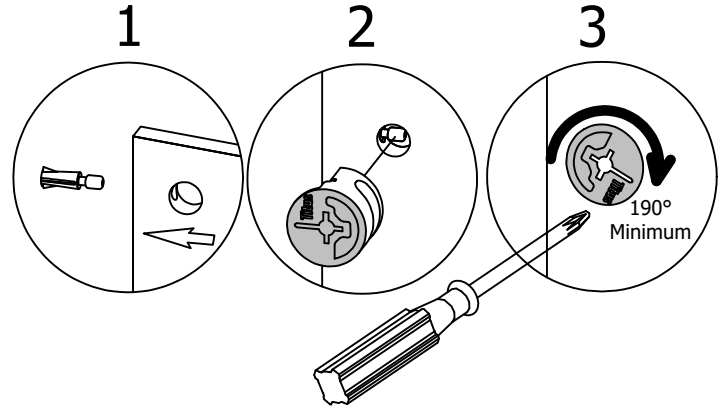


How to Tighten KD Cams

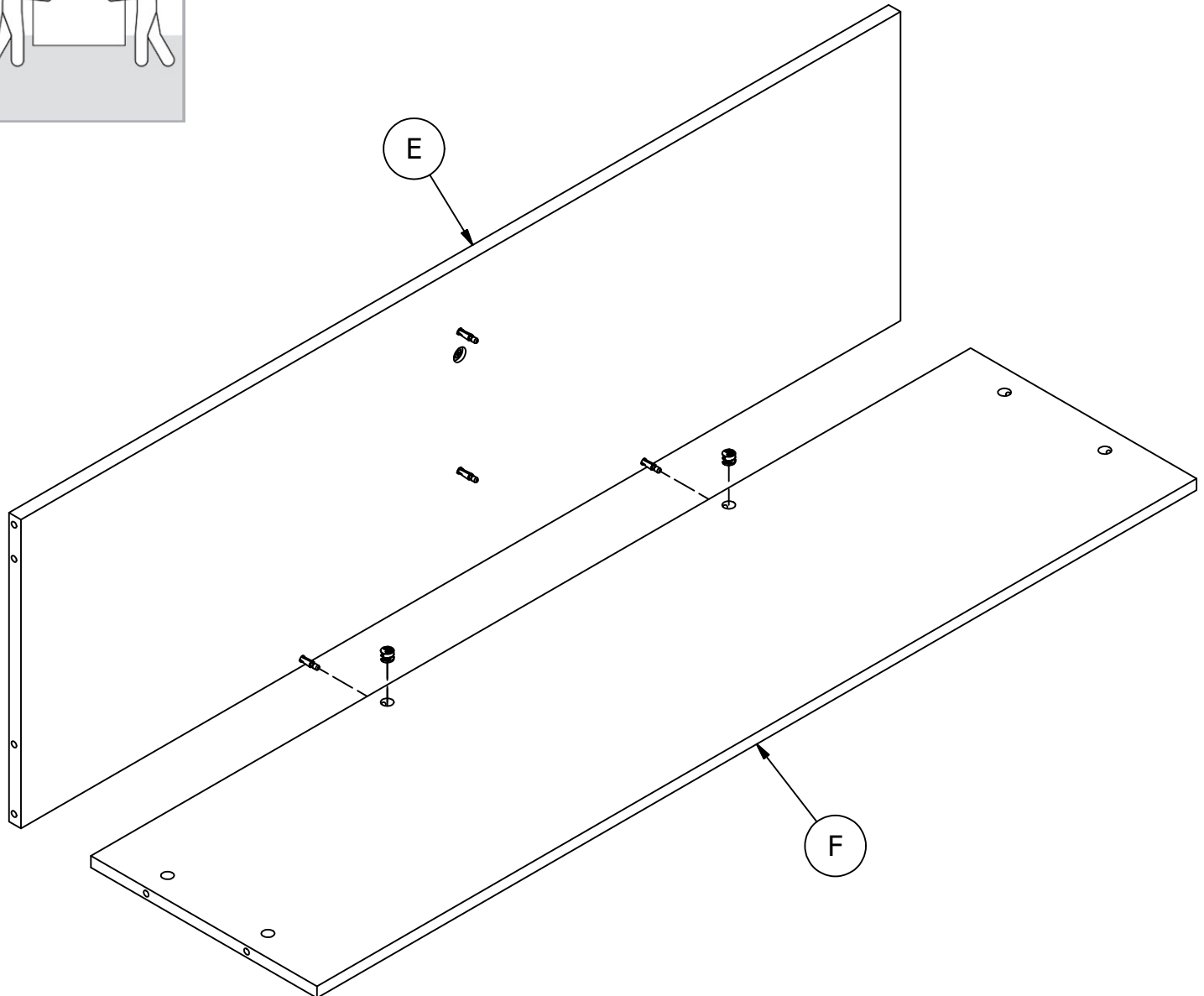
H181468US



[2]

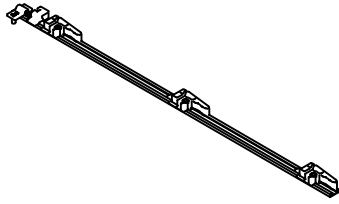


Team Lift



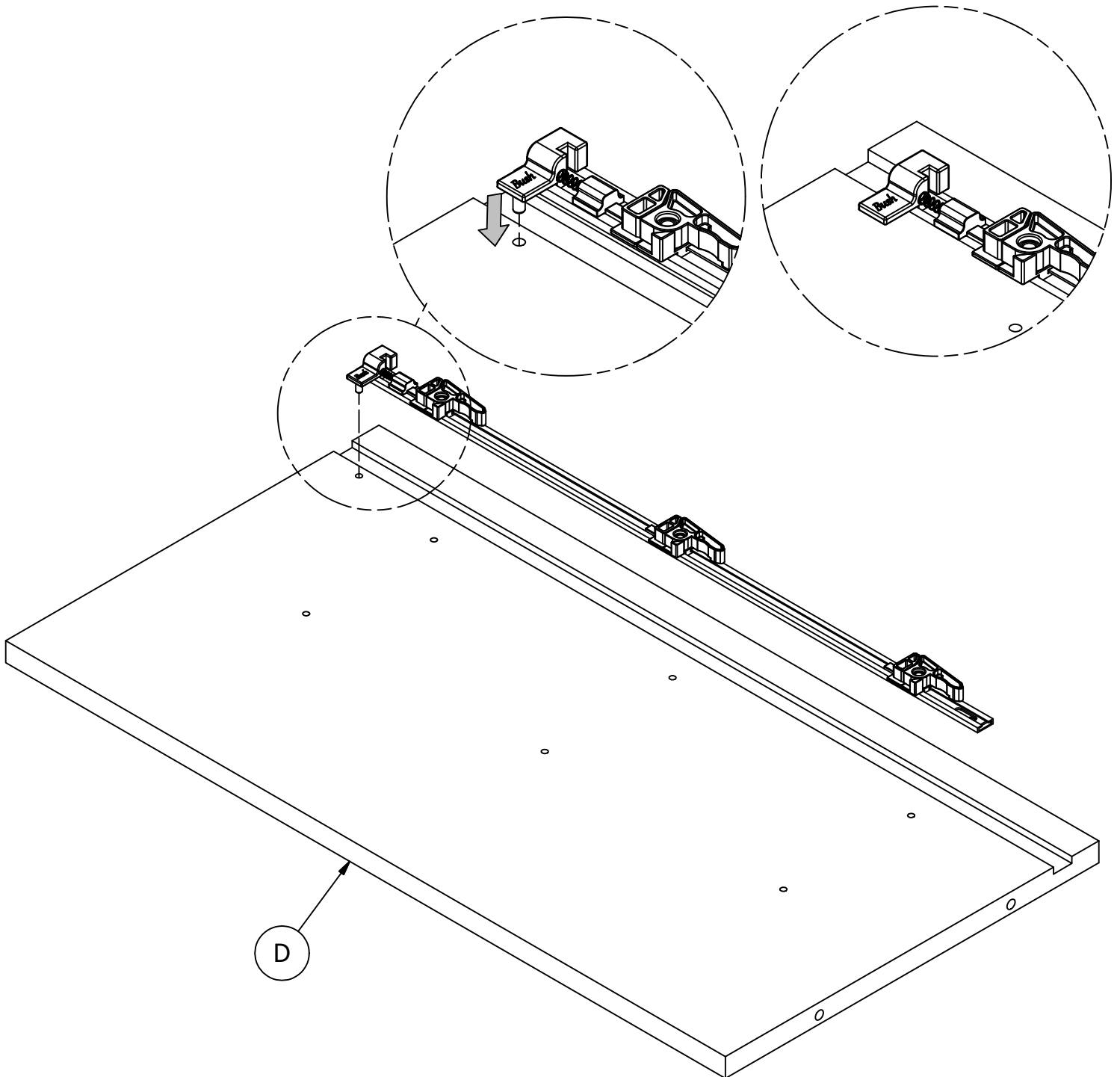
Have an assembly question or need a replacement part? Just call **1-800-950-4782**, we are here to help.

H192351

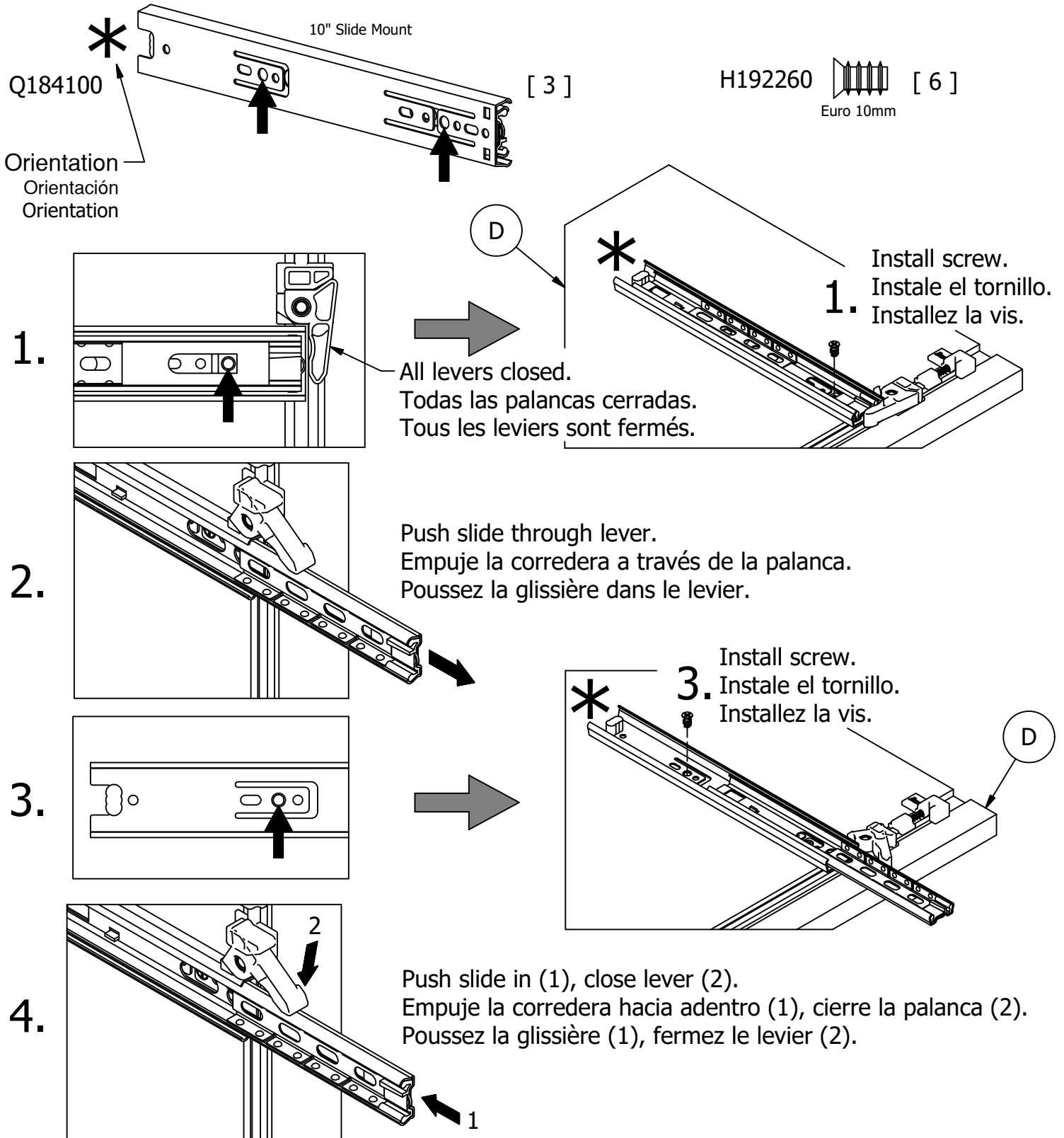


[1]

3 Drawer Interlock



Have an assembly question or need a replacement part? Just call
1-800-950-4782, we are here to help.



Repeat 3x

5. Repetir 3x

Répétez 3x

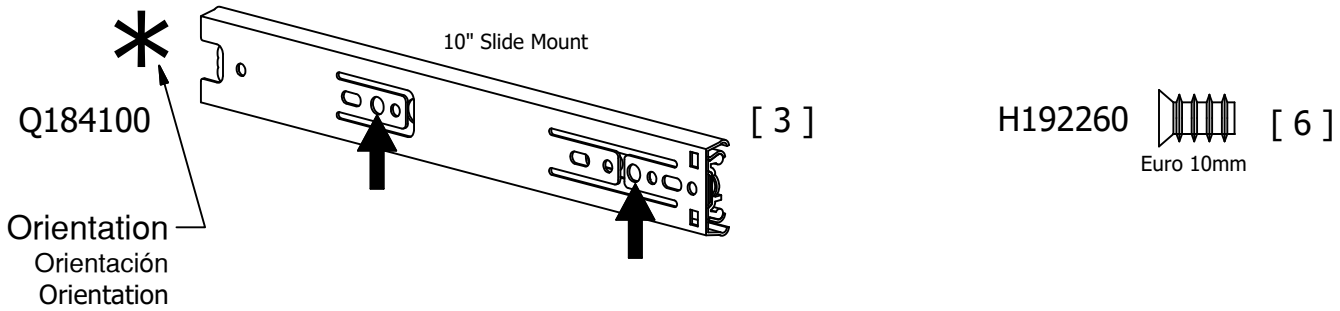
Have an assembly question or need a replacement part? Just call

1-800-950-4782, we are here to help.

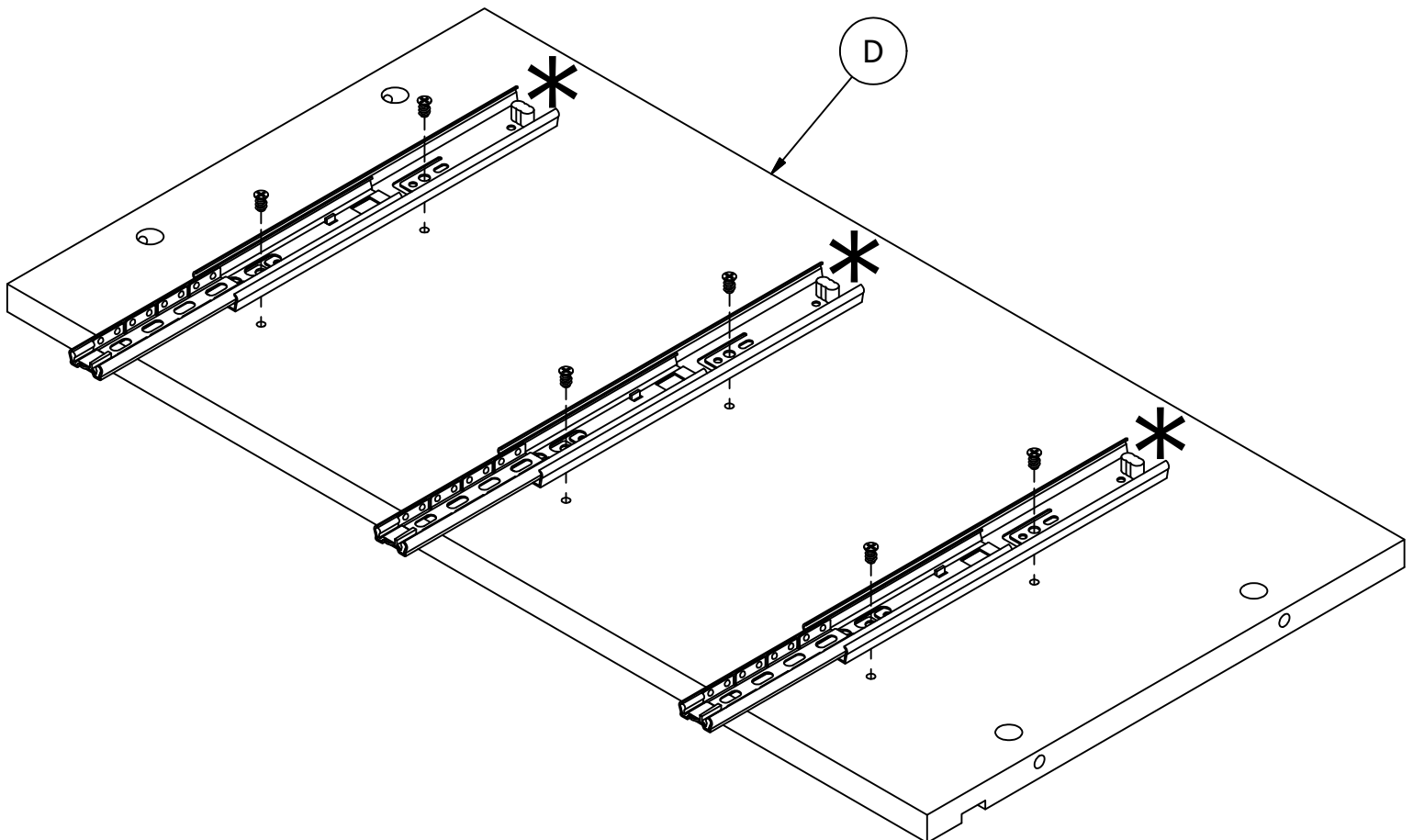
STEP 11

Prepare Panel

A191494A



Flip panel over
Voltear el panel
Retournez le panneau



Have an assembly question or need a replacement part? Just call
1-800-950-4782, we are here to help.

STEP 12

Assemble Panels

A191494A

Scan QR Code to
Watch Video on:

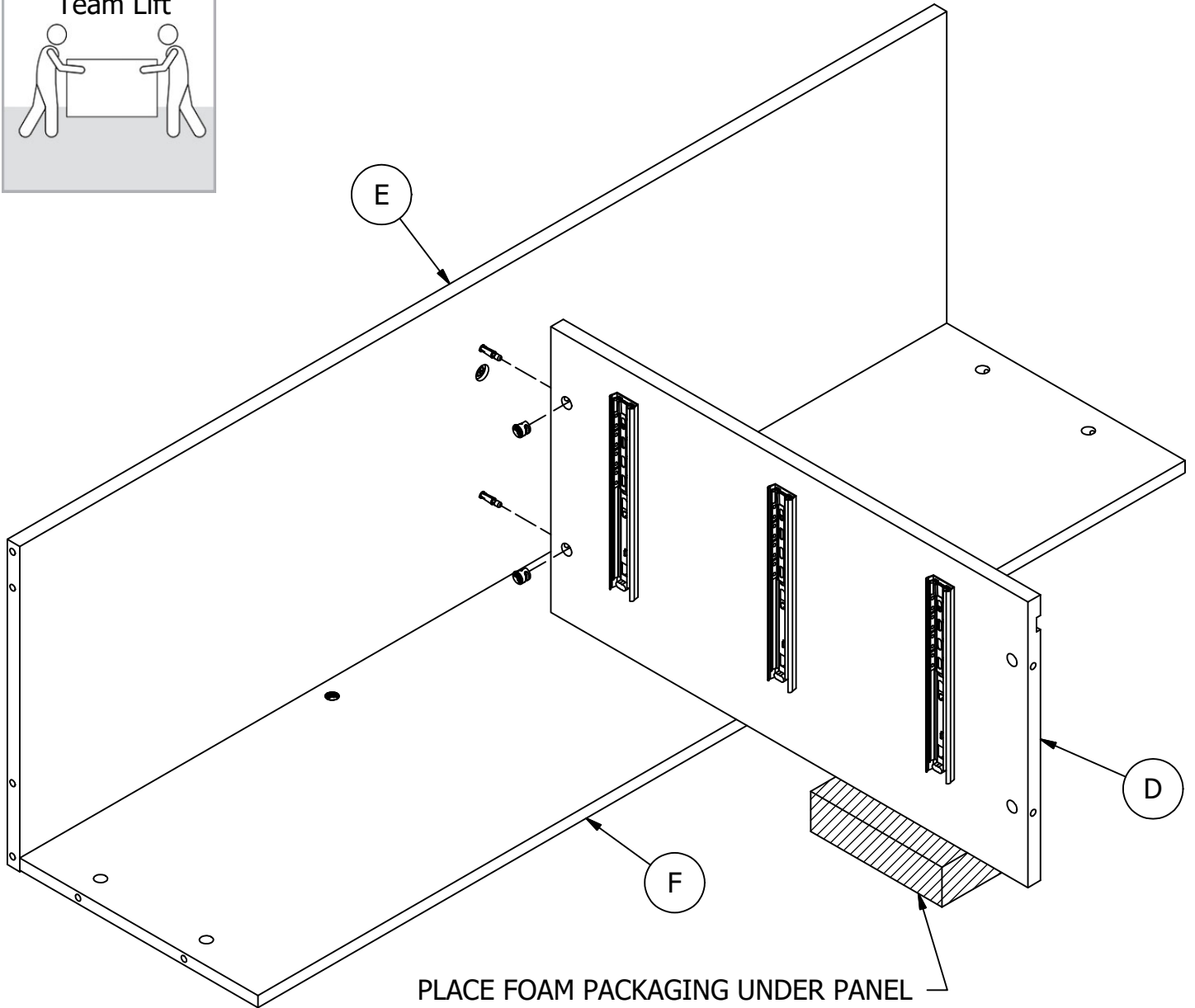
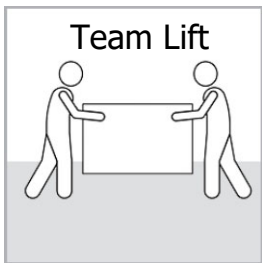
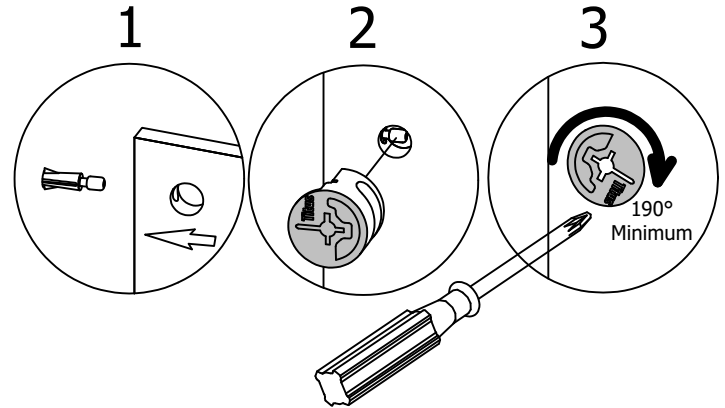


How to Tighten
KD Cams

H181468US



[2]



PLACE FOAM PACKAGING UNDER PANEL
COLOQUE EL EMBALAJE DE ESPUMA DEBAJO DEL PANEL
PLACEZ L'EMBALLAGE EN MOUSSE SOUS LE PANNEAU

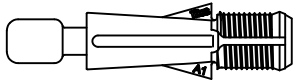
Have an assembly question or need a replacement part? Just call
1-800-950-4782, we are here to help.

STEP 13

Prepare Panel

A191494A

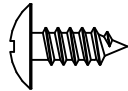
H171556



Quickfit TL4

[4]

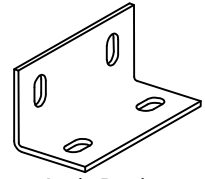
H35251



#10 x 1/2"

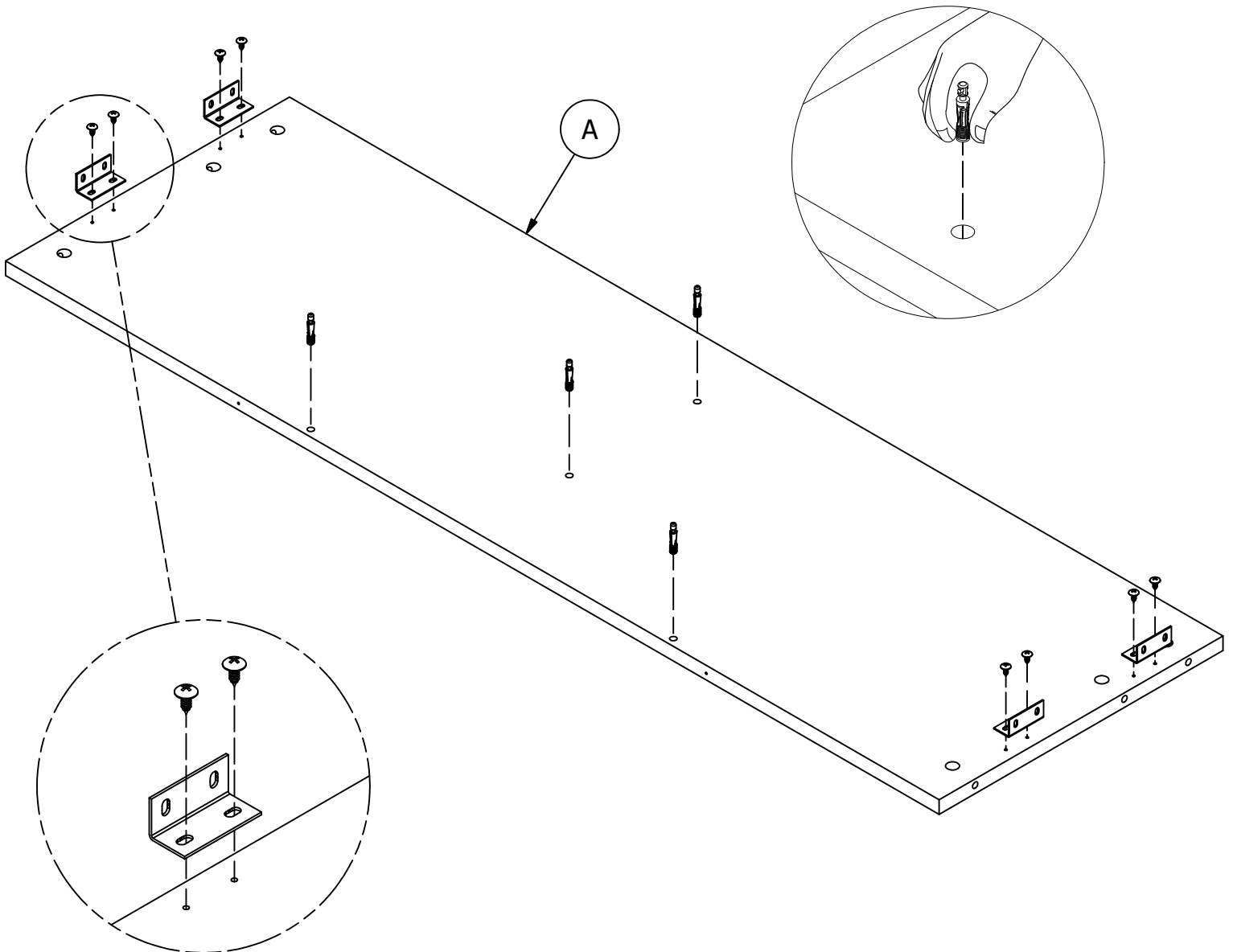
[8]

H76706



Angle Bracket

[4]



Have an assembly question or need a replacement part? Just call
1-800-950-4782, we are here to help.

STEP 14

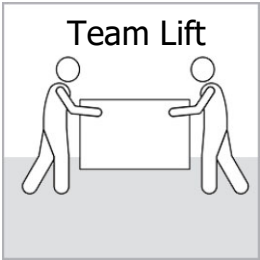
Assemble Panels

A191494A

Scan QR Code to Watch Video on:



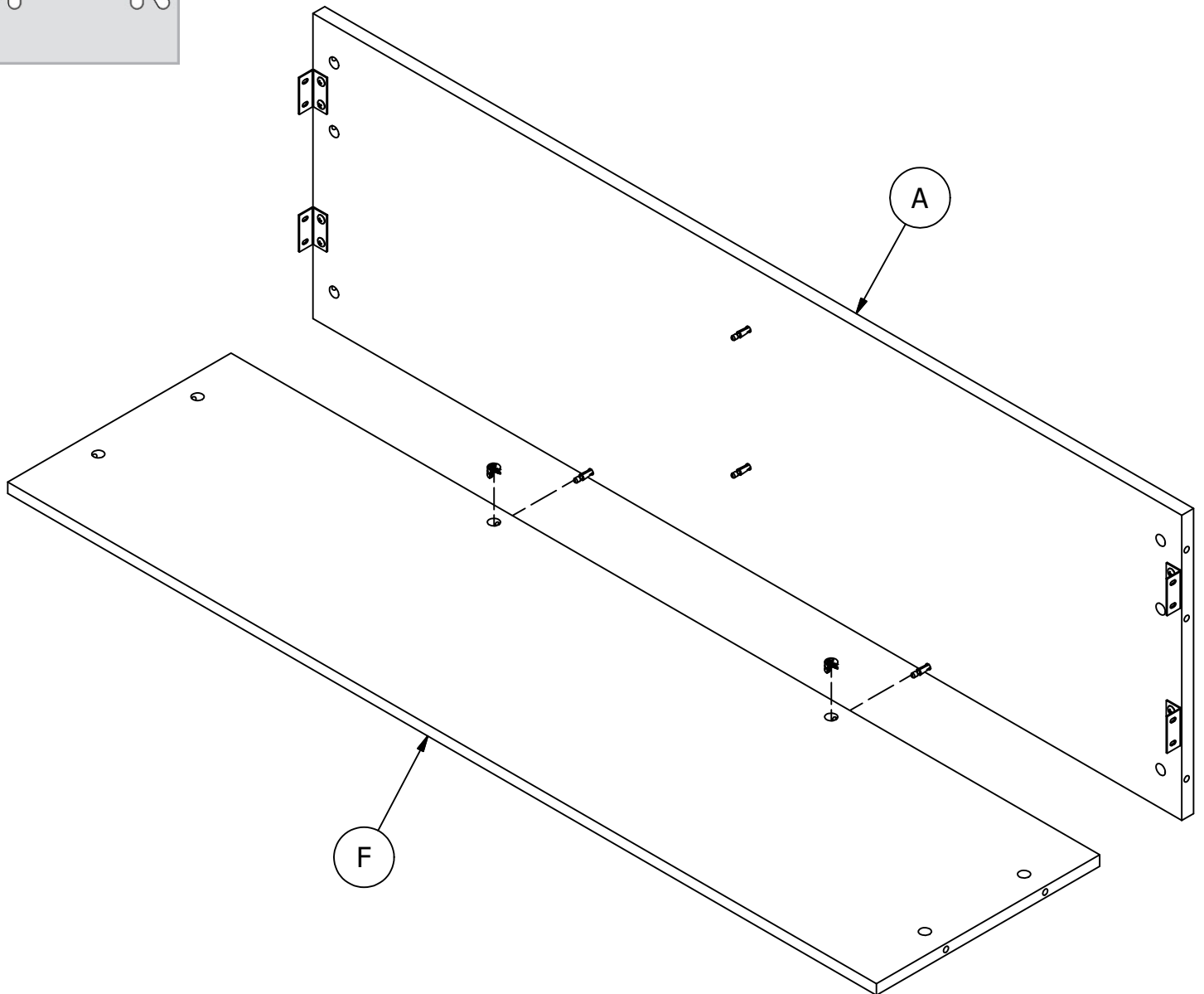
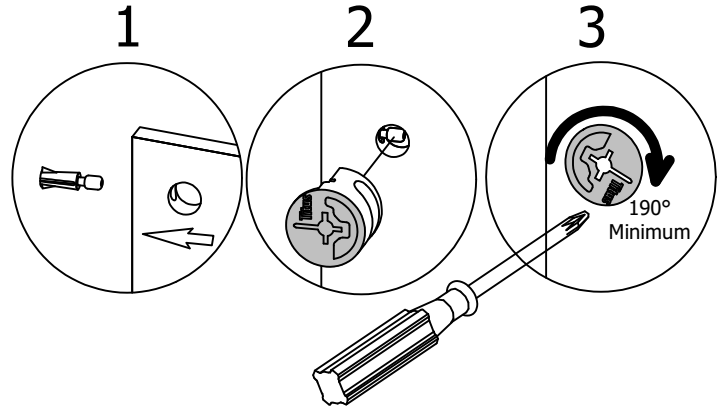
How to Tighten KD Cams



H181468US



[2]



Have an assembly question or need a replacement part? Just call **1-800-950-4782**, we are here to help.

STEP 15

Assemble Panels

A191494A

Scan QR Code to Watch Video on:

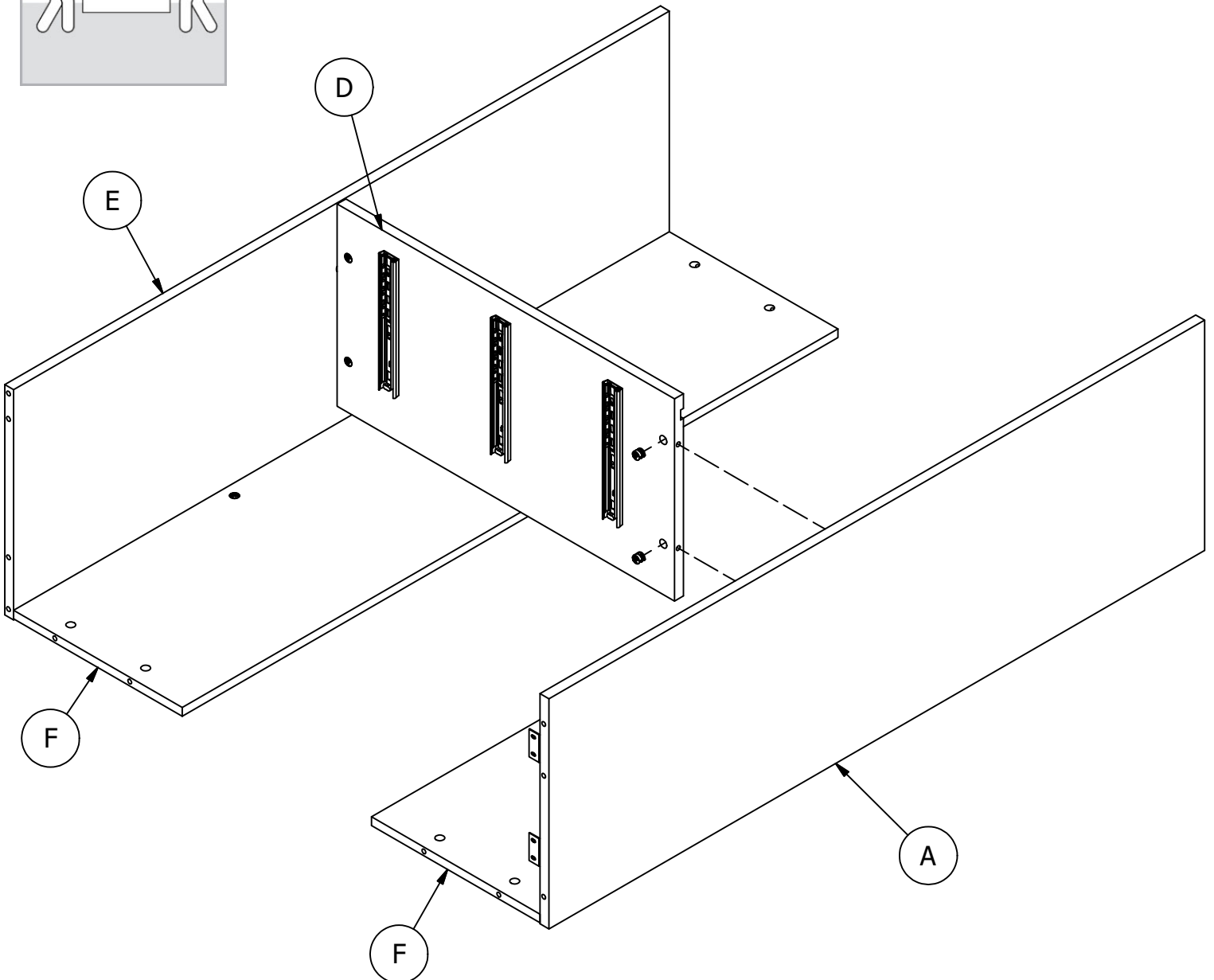
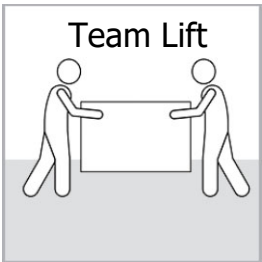
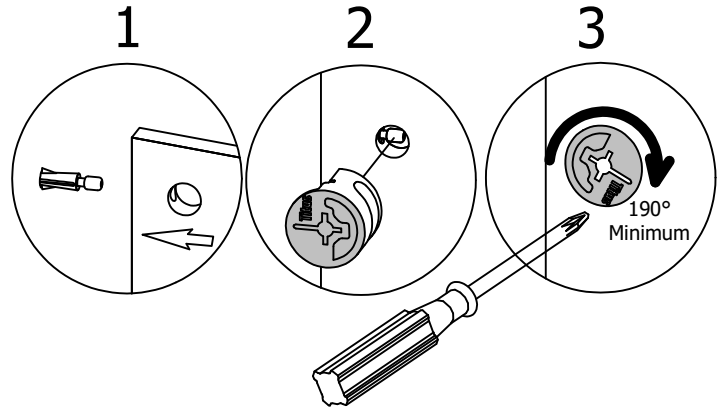


How to Tighten KD Cams

H181468US



[2]



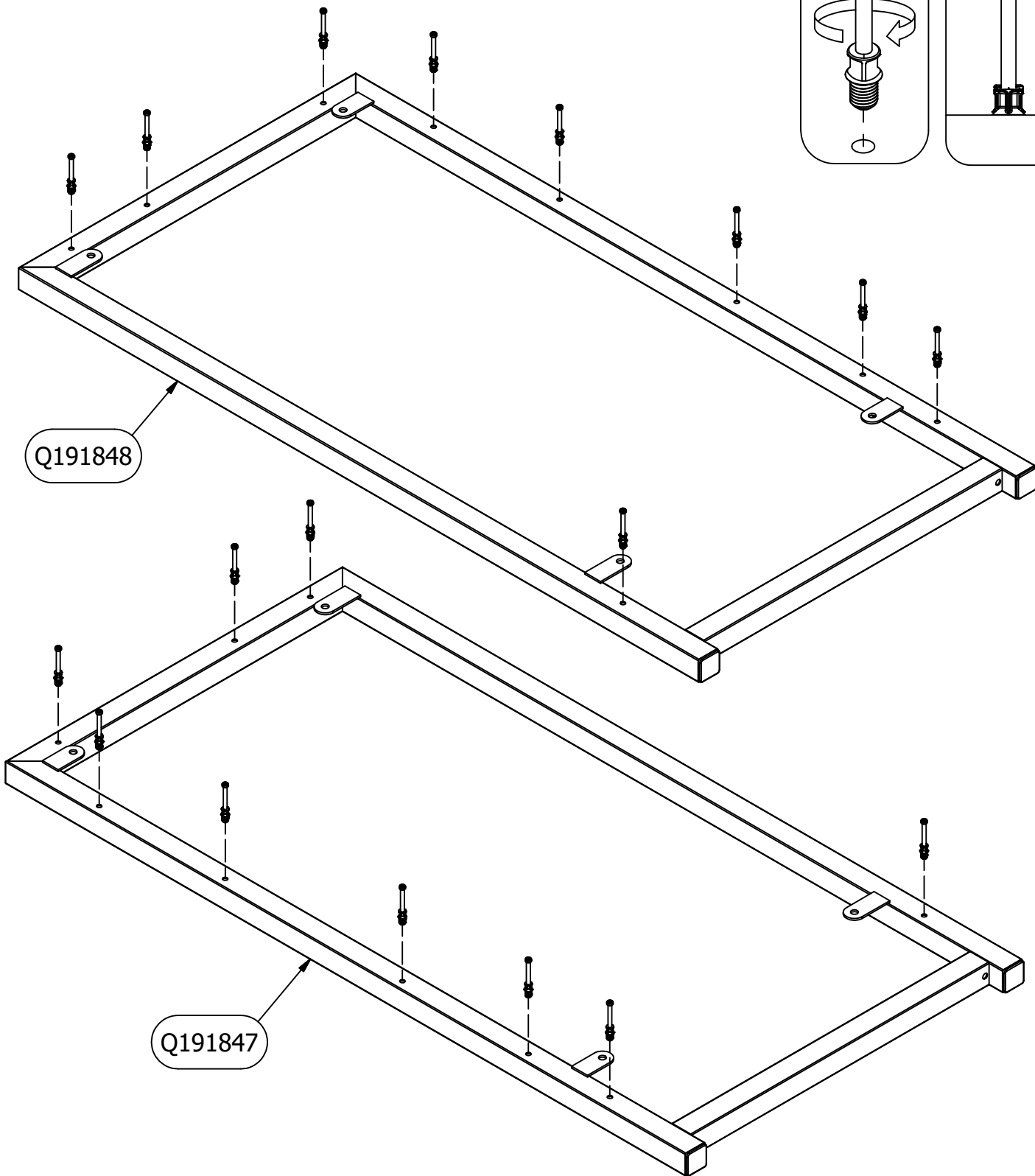
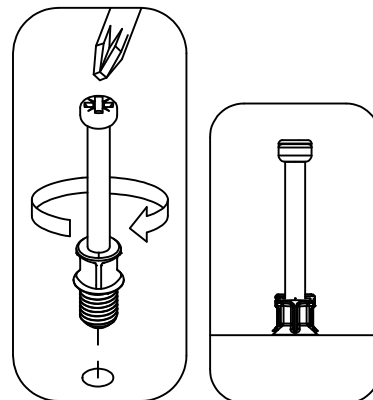
Have an assembly question or need a replacement part? Just call **1-800-950-4782**, we are here to help.

STEP 16

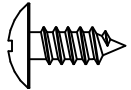
Prepare Components

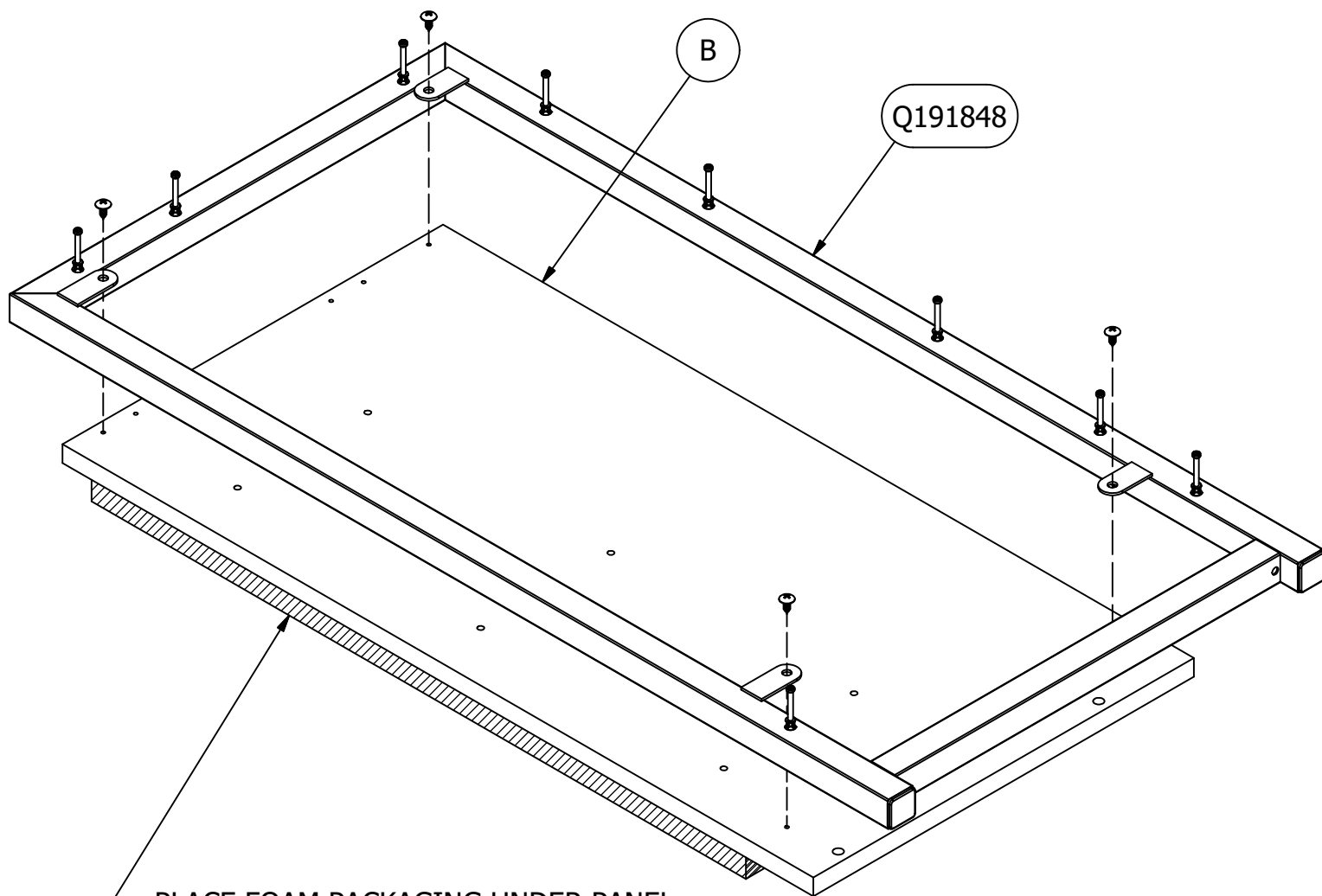
A191494A

H190988 [18]
KD Bolt



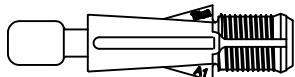
Have an assembly question or need a replacement part? Just call **1-800-950-4782**, we are here to help.

H35251  [4]
#10 x 1/2"



PLACE FOAM PACKAGING UNDER PANEL
COLOQUE EL EMBALAJE DE ESPUMA DEBAJO DEL PANEL
PLACEZ L'EMBALLAGE EN MOUSSE SOUS LE PANNEAU

H171556



[2]

Quickfit TL4

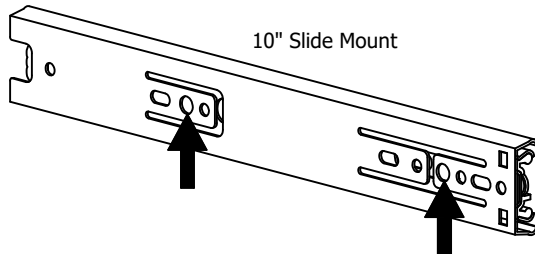
H192260



[6]

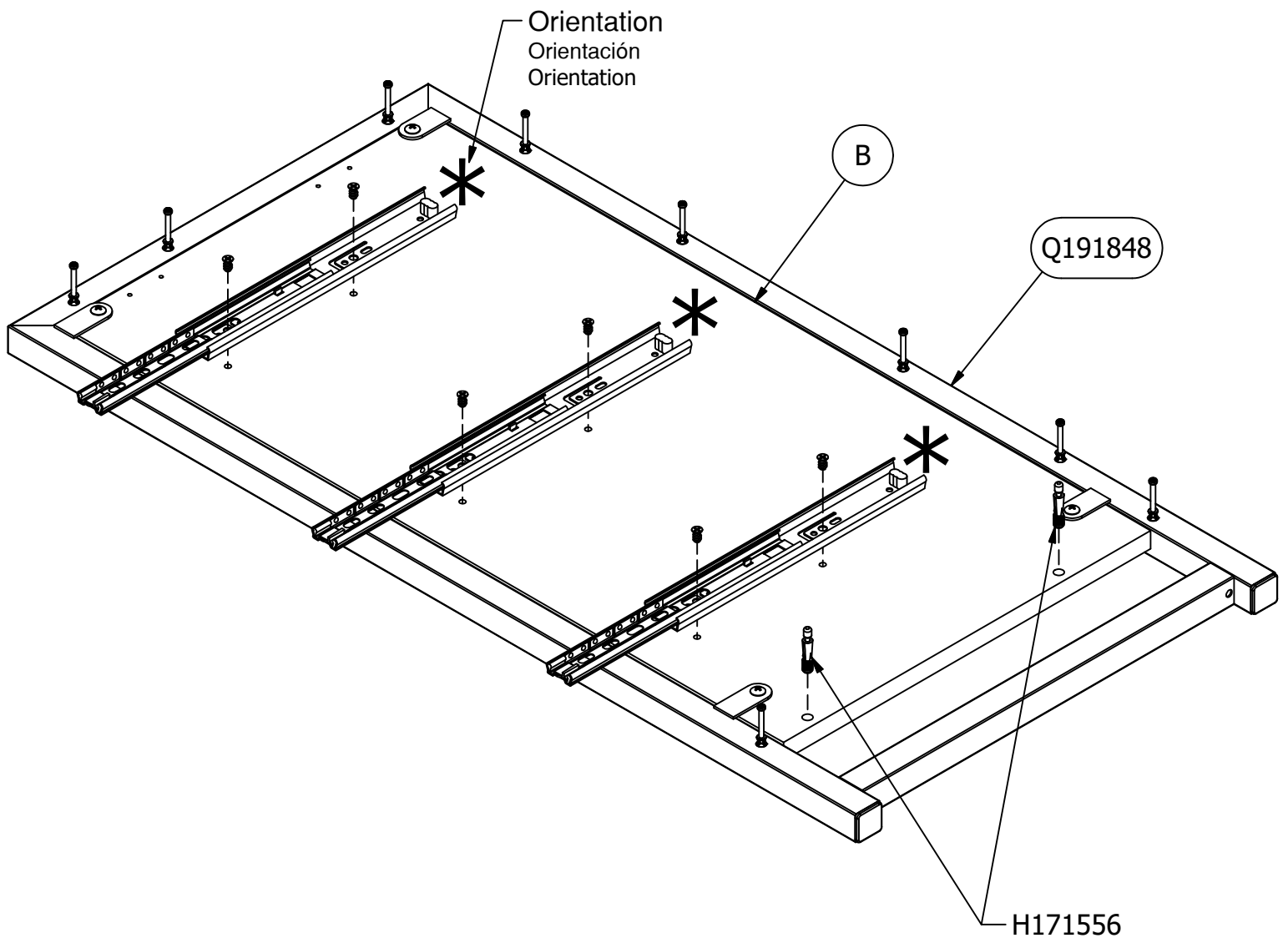
Euro 10mm

Q184100



10" Slide Mount

[3]



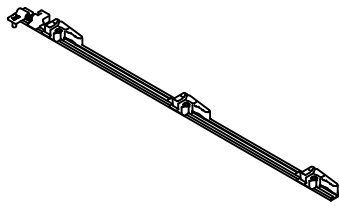
Have an assembly question or need a replacement part? Just call
1-800-950-4782, we are here to help.

STEP 19

Prepare Panel

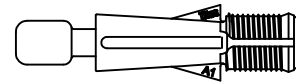
A191494A

H192351



[1]

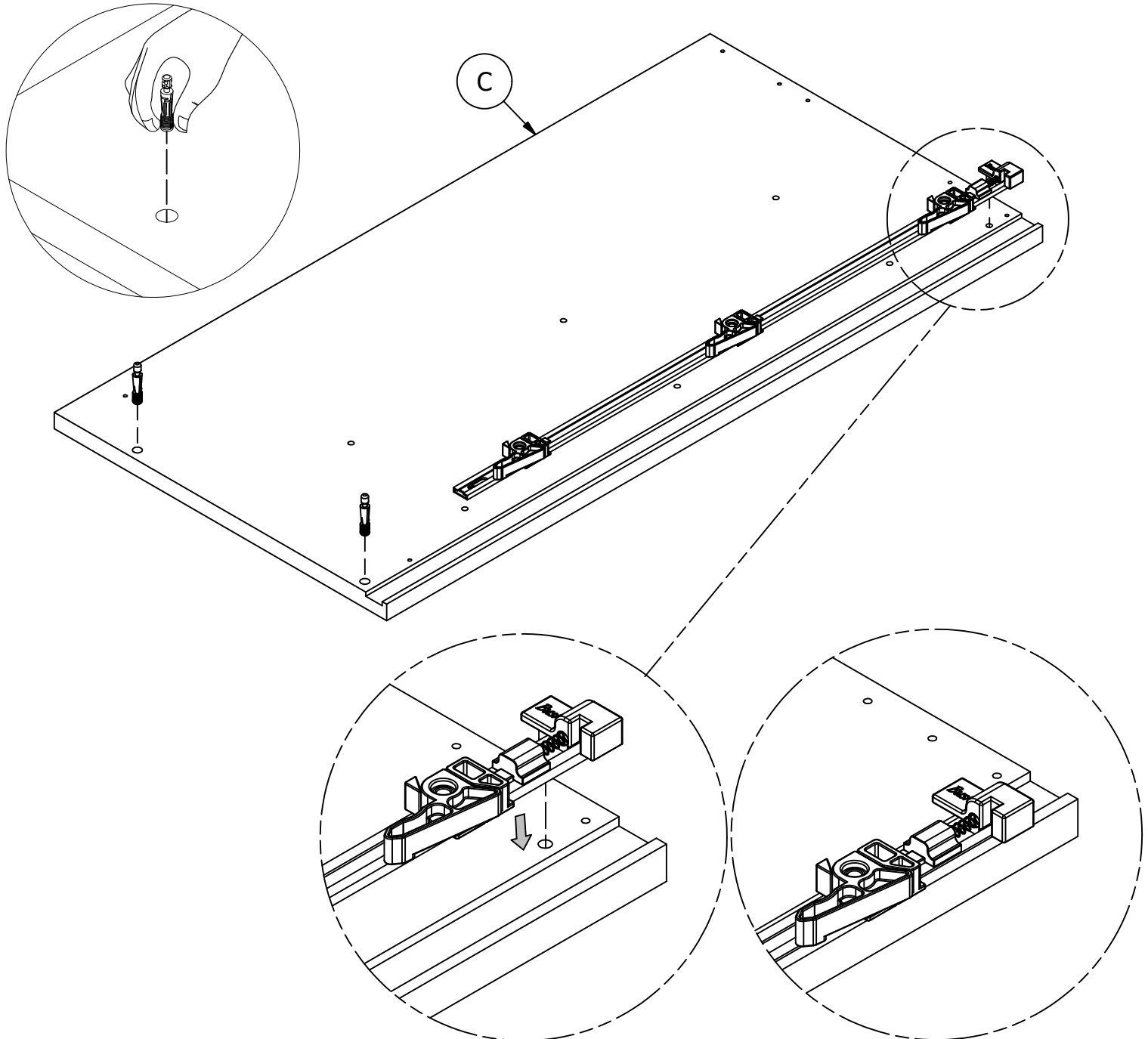
H171556



[2]

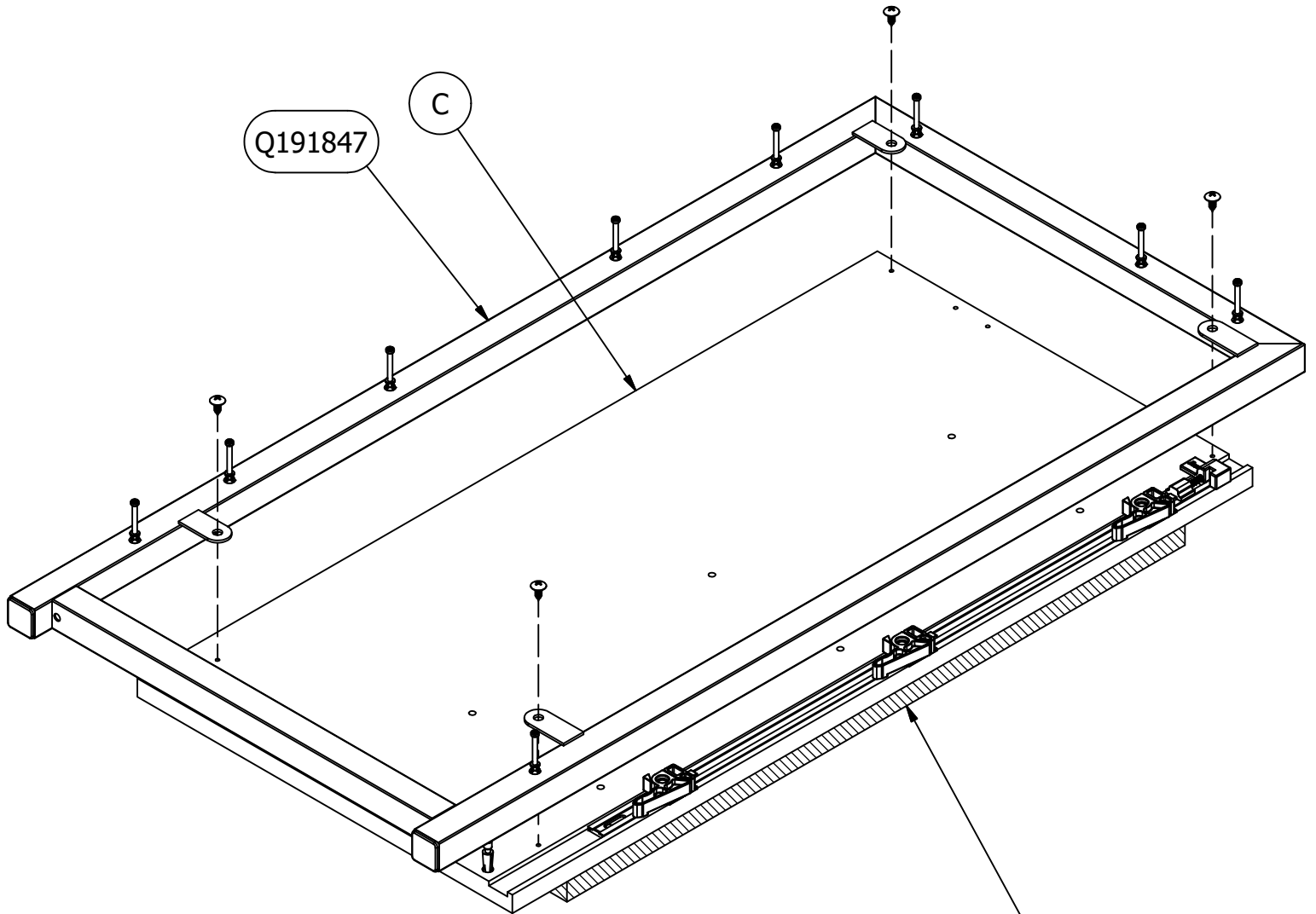
Quickfit TL4

3 Drawer Interlock



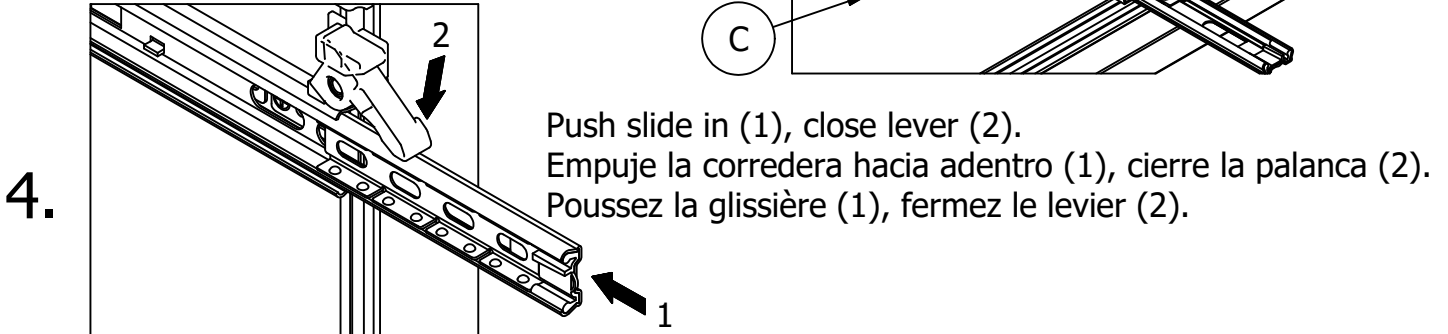
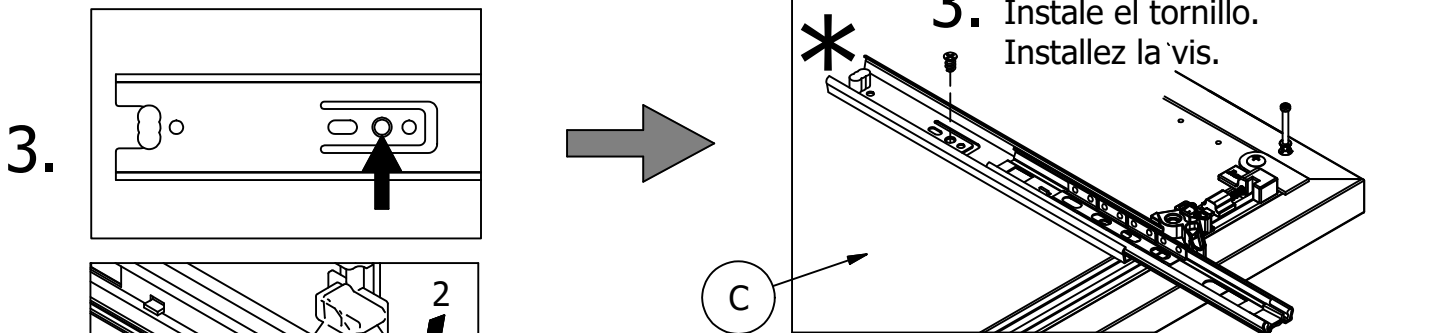
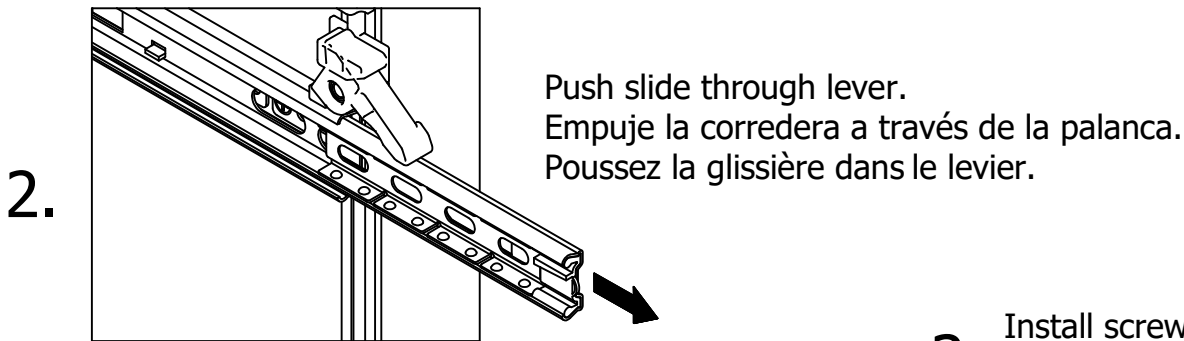
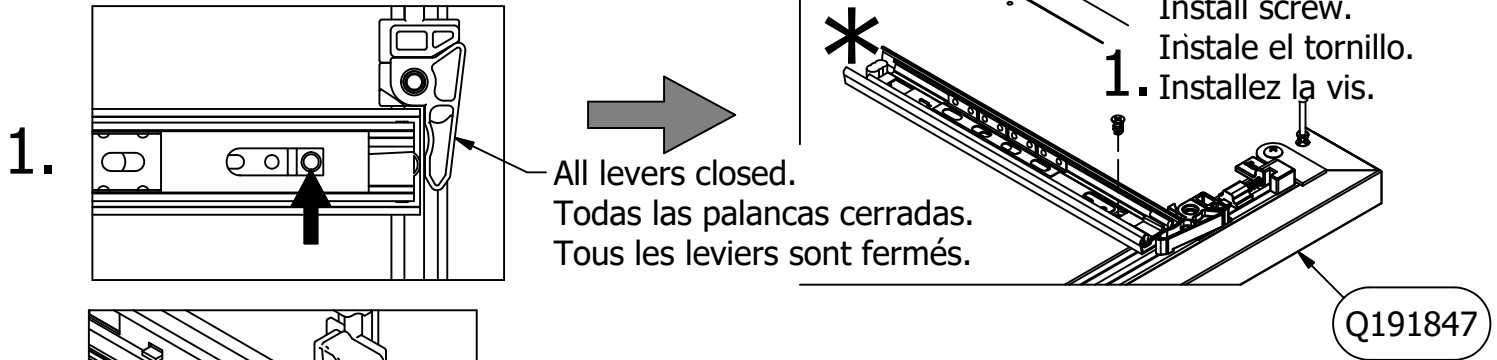
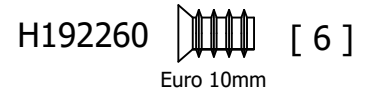
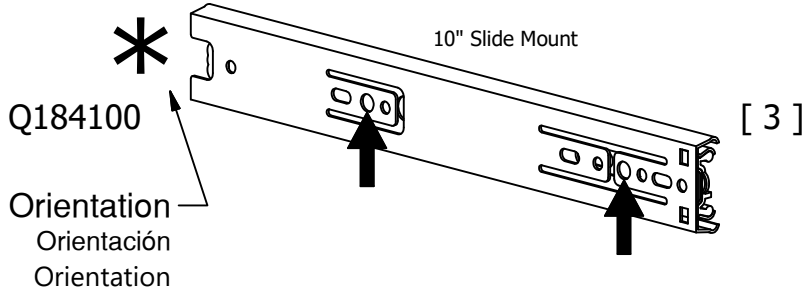
Have an assembly question or need a replacement part? Just call
1-800-950-4782, we are here to help.

H35251 [4]
#10 x 1/2"



PLACE FOAM PACKAGING UNDER PANEL
COLOQUE EL EMBALAJE DE ESPUMA DEBAJO DEL PANEL
PLACEZ L'EMBALLAGE EN MOUSSE SOUS LE PANNEAU

Have an assembly question or need a replacement part? Just call
1-800-950-4782, we are here to help.



- Repeat 3x
5. Repetir 3x
- Répétez 3x

Have an assembly question or need a replacement part? Just call
1-800-950-4782, we are here to help.

STEP 22

Assemble Panels

A191494A

Scan QR Code to Watch Video on:



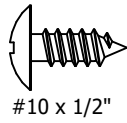
How to Tighten KD Cams

H181468US [11]

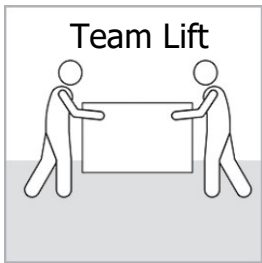
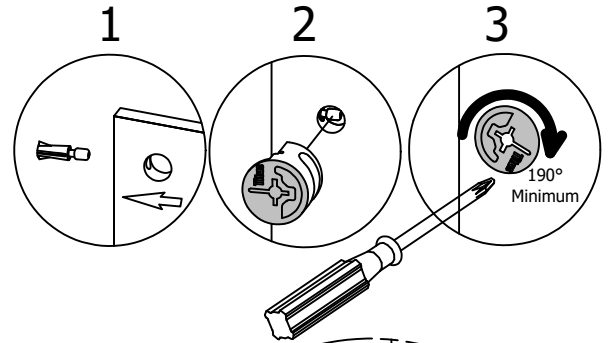


KD Cam3000

H35251 [4]



#10 x 1/2"



Team Lift

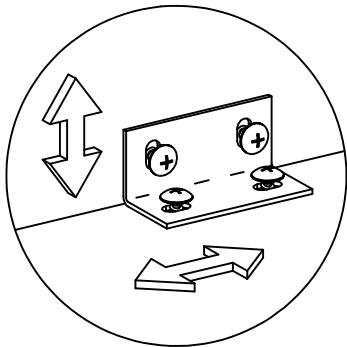
Q191848

B

A

E

F



Have an assembly question or need a replacement part? Just call **1-800-950-4782**, we are here to help.

STEP 23

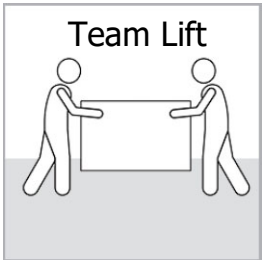
Assemble Panels

A191494A

Scan QR Code to Watch Video on:



How to Tighten KD Cams

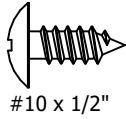


H181468US



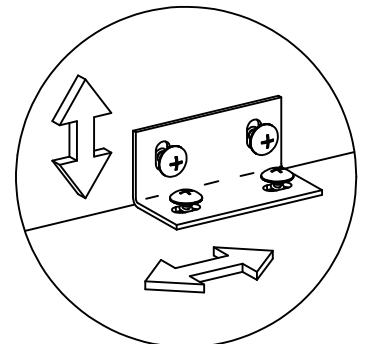
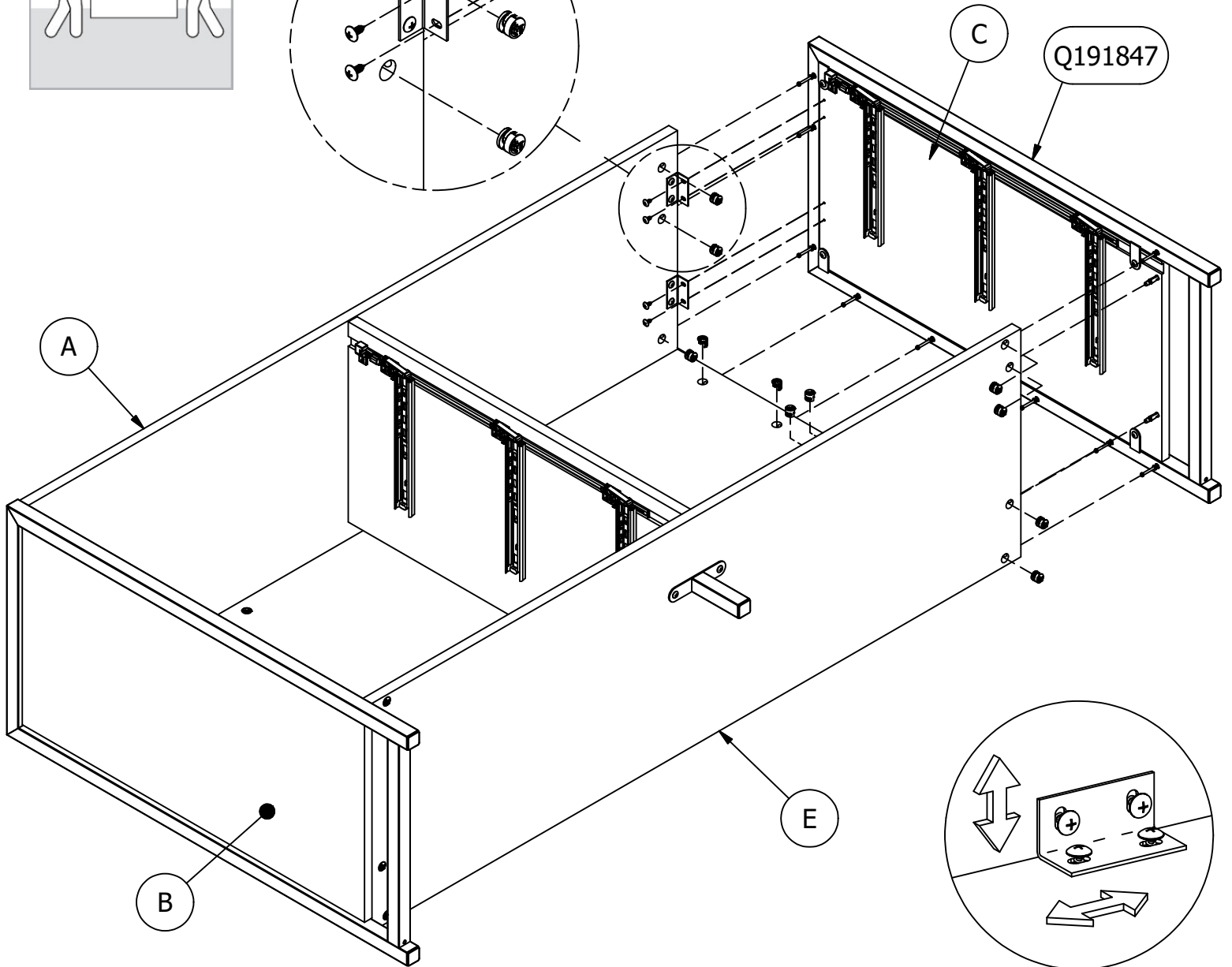
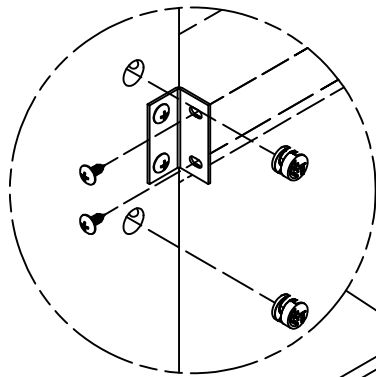
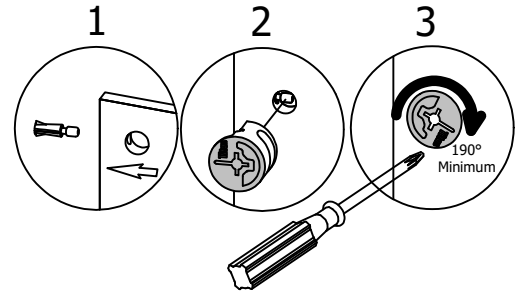
[11]

H35251



[4]

#10 x 1/2"



Have an assembly question or need a replacement part? Just call **1-800-950-4782**, we are here to help.

FOLLOW THESE STEPS TO SECURE UNIT TO THE WALL USING TIPOVER RESTRAINT

SIGA ESTOS PASOS PARA FIJAR LA UNIDAD A LA PARED UTILIZANDRO EL SISTEMA DE RETENCIÓN ANTIVUELCO "TIPOVER RESTRAINT"
SUIVEZ CES ÉTAPES POUR FIXER LE MEUBLE AU MUR EN UTILISANT LE MATÉRIEL DE FIXATION MURALE.

TIPOVER RESTRAINT MAY BE PLACED OFF CENTER TO ALLOW FOR MIRROR INSTALLATION

EL SOPORTE TIPOVER PUEDE SER COLOCADO EN EL CENTRO PARA PERMITIR LA INSTALACION DEL ESPEJO
LE MATÉRIEL DE FIXATION MURALE PEUT ÊTRE INSTALLÉ DÉCENTRÉ POUR PERMETTRE L'INSTALLATION D'UN MIROIR.

- 1. Place unit in desired location.**
- 2. Locate wall stud nearest unit center. FIG A**
- 3. On wall, mark center of stud location 1" below top of unit. FIG A**
- 4. If a wall stud cannot be located mark hollow wall at unit center. FIG A**
- 5. On back of unit, mark corresponding location 3/8" below top of unit. FIG B**

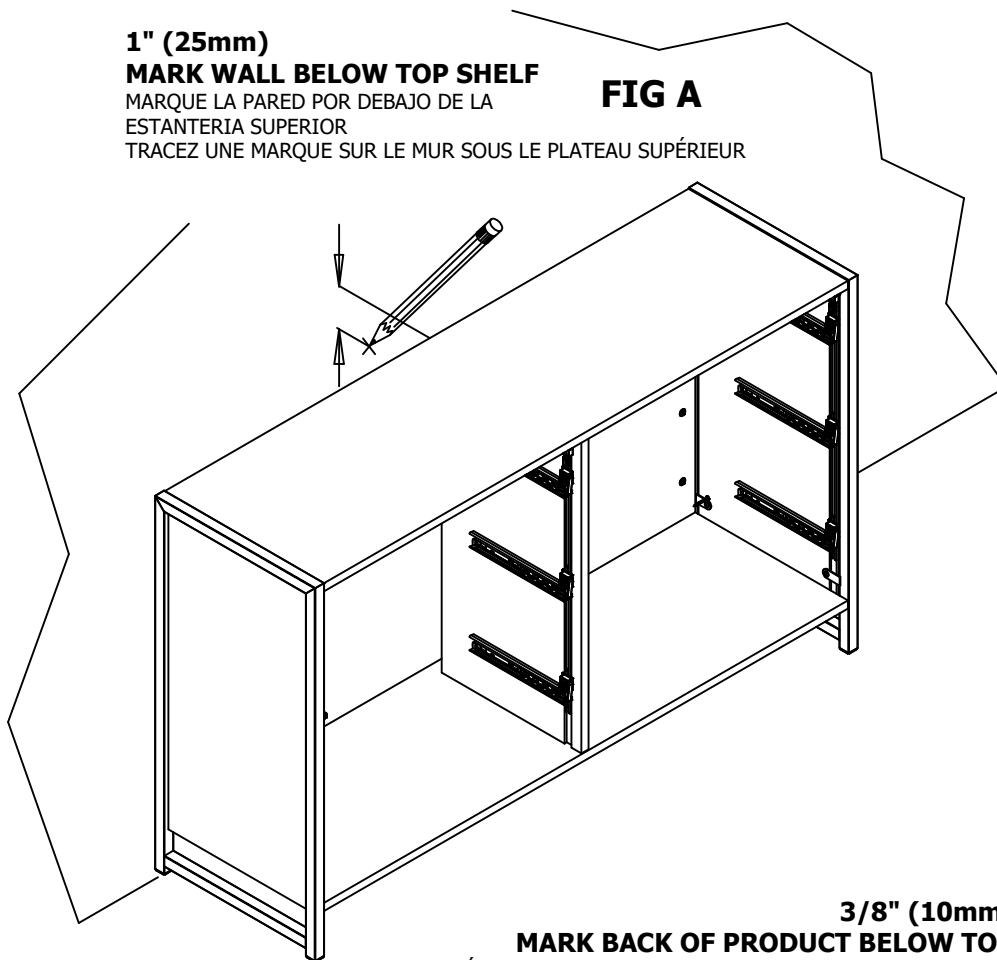
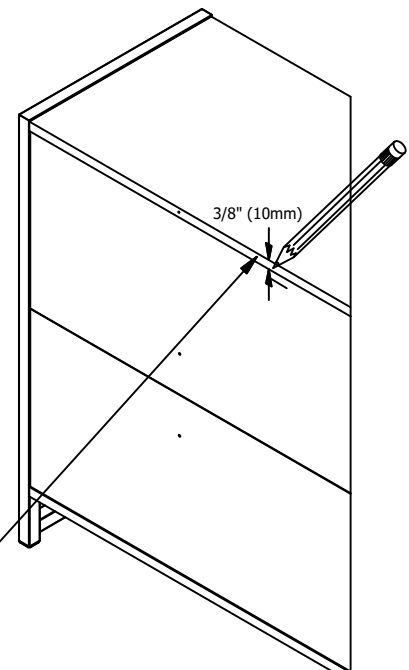
1. Coloque la unidad en el lugar deseado.
2. Localice el montante de pared más cercano al centro de la unidad.
3. En la pared, marque el centro de la ubicación del montante 1 pulg. abajo de la parte superior de la unidad.
4. Si un poste de la pared no se puede localizar, marque la pared hueca en el centro de la unidad.
5. En la parte posterior de la unidad, marque la ubicación correspondiente 3/8 de pulgada abajo de la parte superior de la unidad.

1. Placez le meuble à l'endroit désiré.
2. Localisez le montant le plus proche du centre du meuble.
3. Sur le mur, marquez le centre du montant à 2,5 cm du dessus du meuble.
4. S'il n'est pas possible de localiser un montant de mur, marquez le mur creux au centre du meuble.
5. Au dos du meuble, marquez l'emplacement à 1 cm du dessus du meuble.

1" (25mm)**MARK WALL BELOW TOP SHELF**

MARQUE LA PARED POR DEBAJO DE LA
ESTANTERIA SUPERIOR

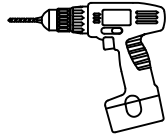
TRACEZ UNE MARQUE SUR LE MUR SOUS LE PLATEAU SUPÉRIEUR

FIG A**FIG B****3/8" (10mm)****MARK BACK OF PRODUCT BELOW TOP**

MARQUE DETRÁS DEL PRODUCTO, POR DEBAJO DE LA PARTE SUPERIOR
TRACEZ UNE MARQUE SUR LE PRODUIT, SOUS LE PLATEAU

Have an assembly question or need a replacement part? Just call
1-800-950-4782, we are here to help.

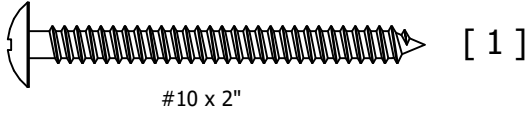
WALL STUD ATTACHMENT



Drill 1/8" hole 2" deep at mark on wall.

Taladre un agujero de 1/8 pulgadas y 2 pulgadas de profundidad en la marca de la pared.
Percez un trou de 3 mm et de 5 cm de profondeur vis à vis la marque sur le mur.

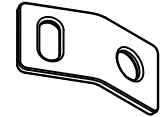
H181434



#10 x 2"

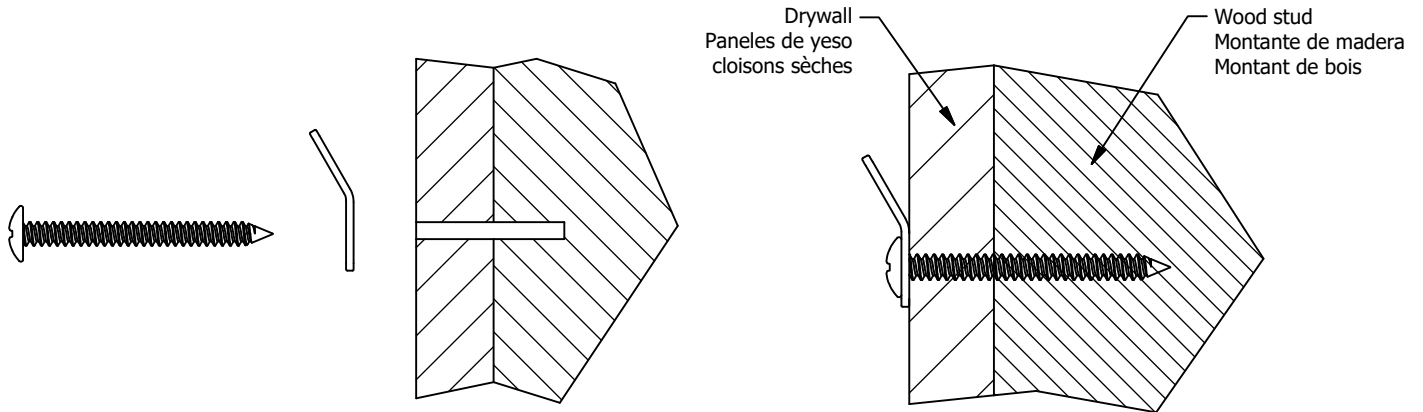
[1]

H181412

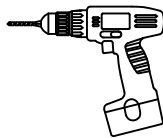


[1]

Connecting Plate



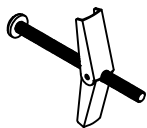
HOLLOW WALL ATTACHMENT



Drill 1/2" hole 1" deep at mark on wall.

Taladre un agujero de 1/2 pulgadas y 1 pulgada de profundidad en la marca de la pared.
Percez un trou de 3 mm et de 5 cm de profondeur vis à vis la marque sur le mur.

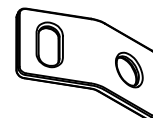
H181419



[1]

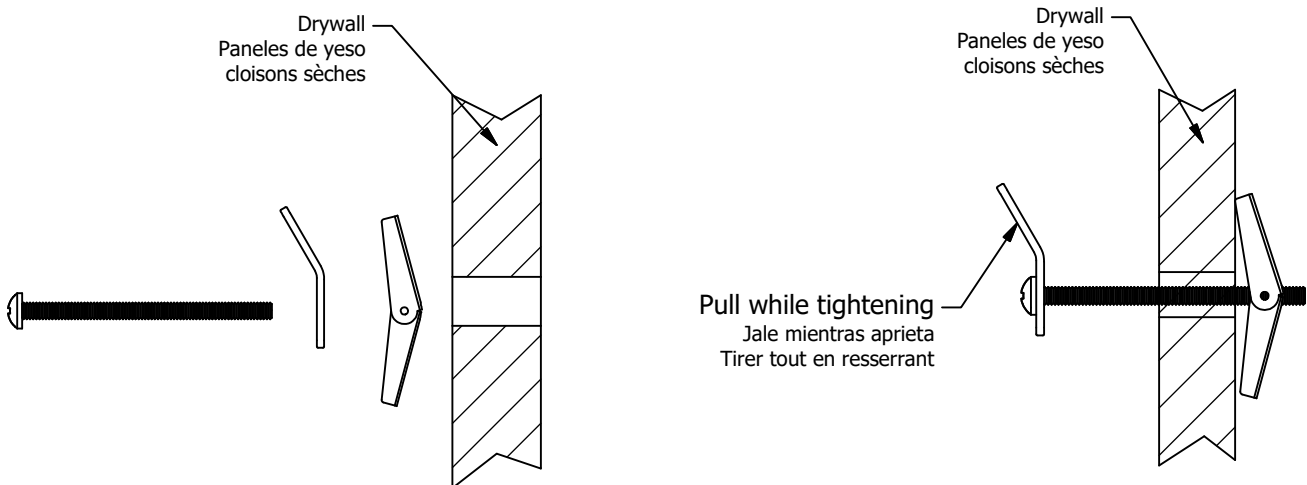
Toggle Bolt

H181412



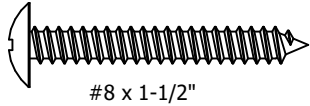
[1]

Connecting Plate



Have an assembly question or need a replacement part? Just call
1-800-950-4782, we are here to help.

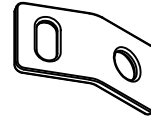
H107572



[1]

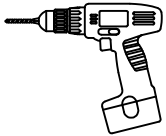
#8 x 1-1/2"

H181412



[1]

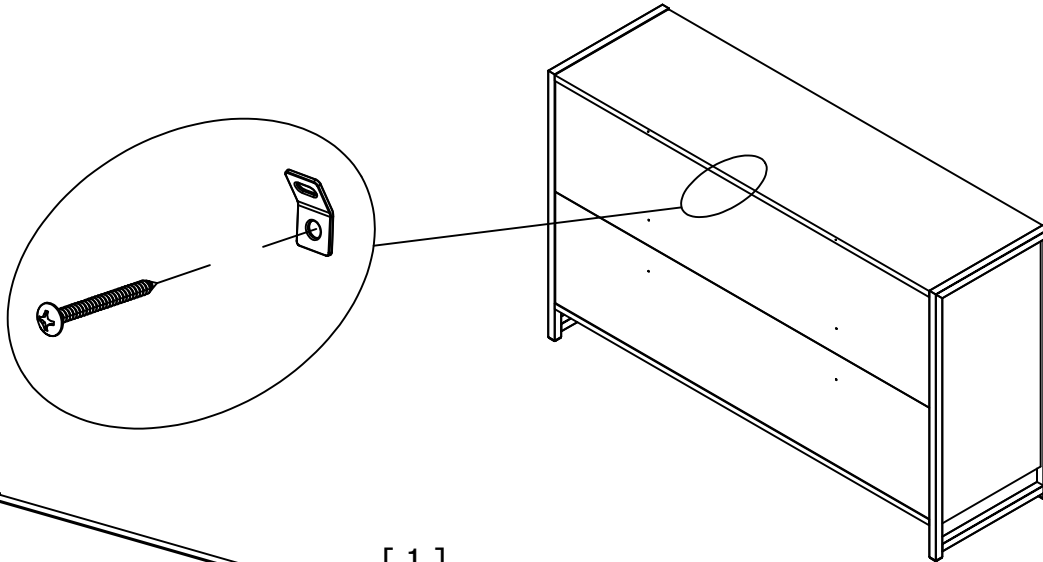
Connecting Plate



Drill 1/8" hole 1" deep at mark on unit.

Taladre un agujero de 1/8 pulgadas y 1 pulgadas de profundidad en la marca de la unidad.

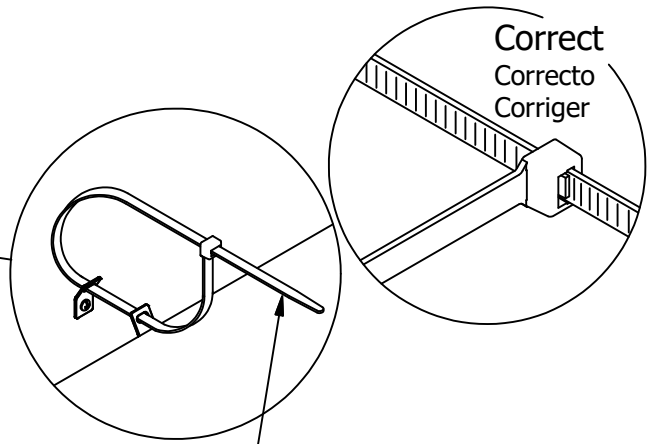
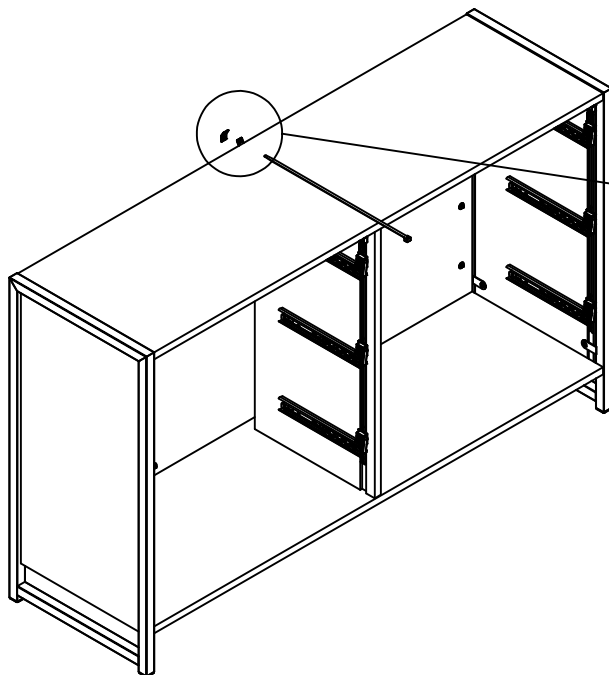
Percez un trou de 3 mm et de 2,5 cm de profondeur vis à vis la marque sur le meuble.



H181411

Nylon Cable Tie

[1]



Pull to verify lock
Tire para verificar cerradura
Tirez pour vérifier le verrouillage

Use replacement cable tie with minimum breaking strength of 120lbs.

Utilice la brida de recambio con una resistencia mínima a la rotura de 120 lbs.

Utilisez une attache autobloquante de rechange avec une résistance à la traction d'au moins 55 kg.

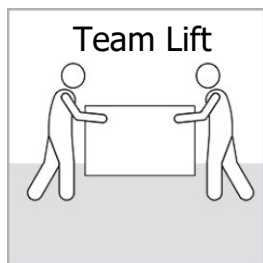
Have an assembly question or need a replacement part? Just call

1-800-950-4782, we are here to help.

Scan QR Code to Watch Video on:



How to Separate and Install Drawer Slides

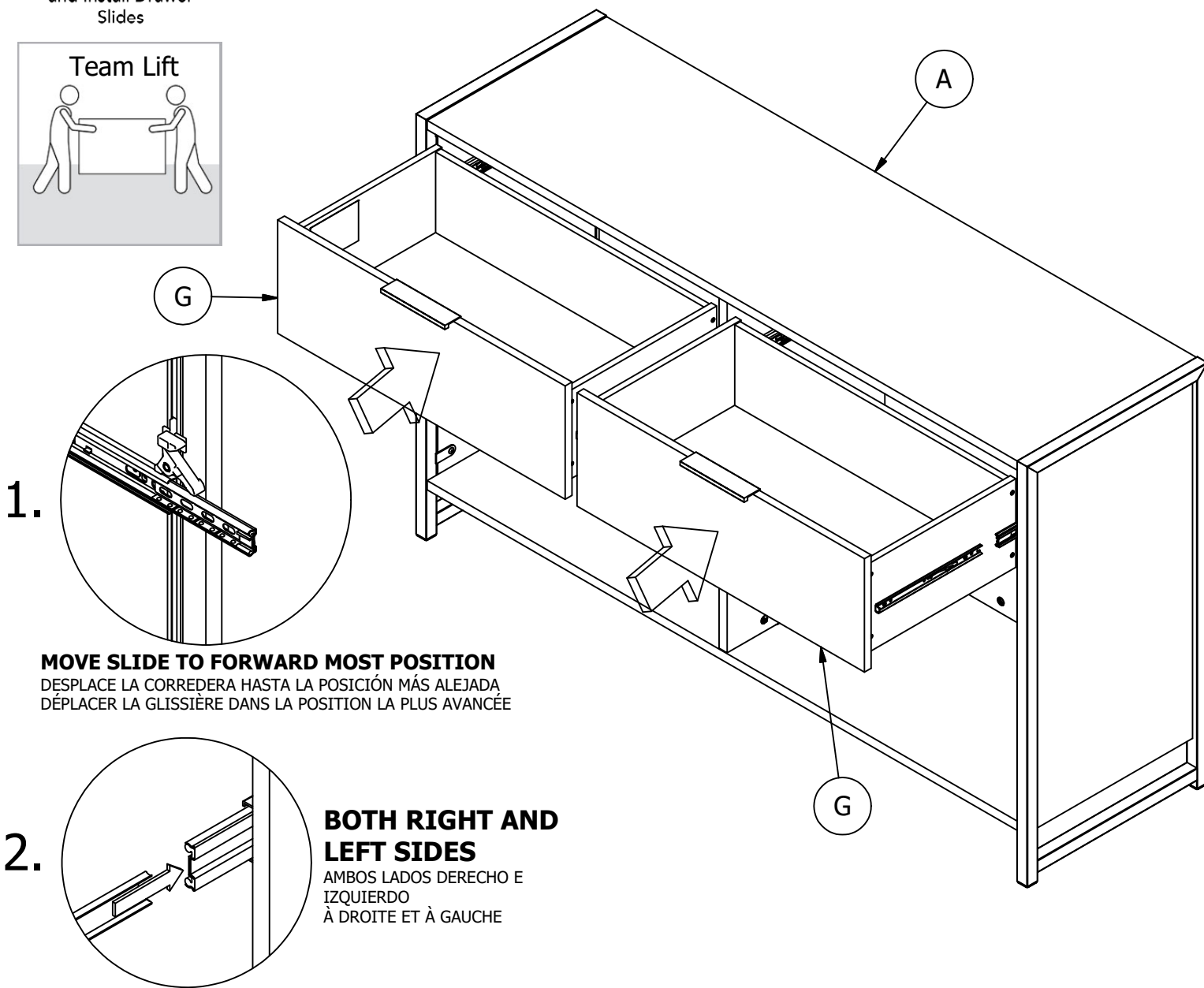


TOP DRAWER INSTALLATION

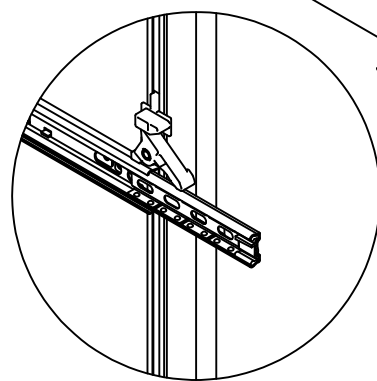
INSTALACIÓN DEL TIRADOR SUPERIOR
INSTALLATION DE TIROIR

INSTALL DRAWER WITH WARNING LABEL, IN TOP POSITION

INSTALE EL CAJÓN CON LA ETIQUETA DE ADVERTENCIA EN LA POSICIÓN SUPERIOR
INSTALLER LE TIROIR AVEC L'ÉTIQUETTE D'AVERTISSEMENT, EN POSITION SUPÉRIEURE

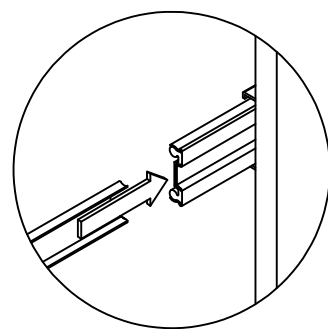


1.



MOVE SLIDE TO FORWARD MOST POSITION
DESPLACE LA CORREDERA HASTA LA POSICIÓN MÁS ALEJADA
DÉPLACER LA GLISSIÈRE DANS LA POSITION LA PLUS AVANCÉE

2.



BOTH RIGHT AND LEFT SIDES

AMBOS LADOS DERECHO E IZQUIERDO
À DROITE ET À GAUCHE

3.

INSERT DRAWER, CAREFULLY POSITION SLIDE RUNNER INTO MOUNT. OPEN AND CLOSE TO CHECK DRAWER FUNCTION.

INSERTE EL CAJÓN, COLOQUE CON CUIDADO LA CORREDERA EN EL SOPORTE. ABRA Y COMBRUEBA EL FUNCIONAMIENTO DEL CAJÓN.
INSÉRER LE TIROIR, POSITIONNER SOIGNEUSEMENT LA GLISSIÈRE DANS LE SUPPORT. OUVRIR ET FERMER LE TIROIR POUR VÉRIFIER SON FONCTIONNEMENT.

Have an assembly question or need a replacement part? Just call **1-800-950-4782**, we are here to help.

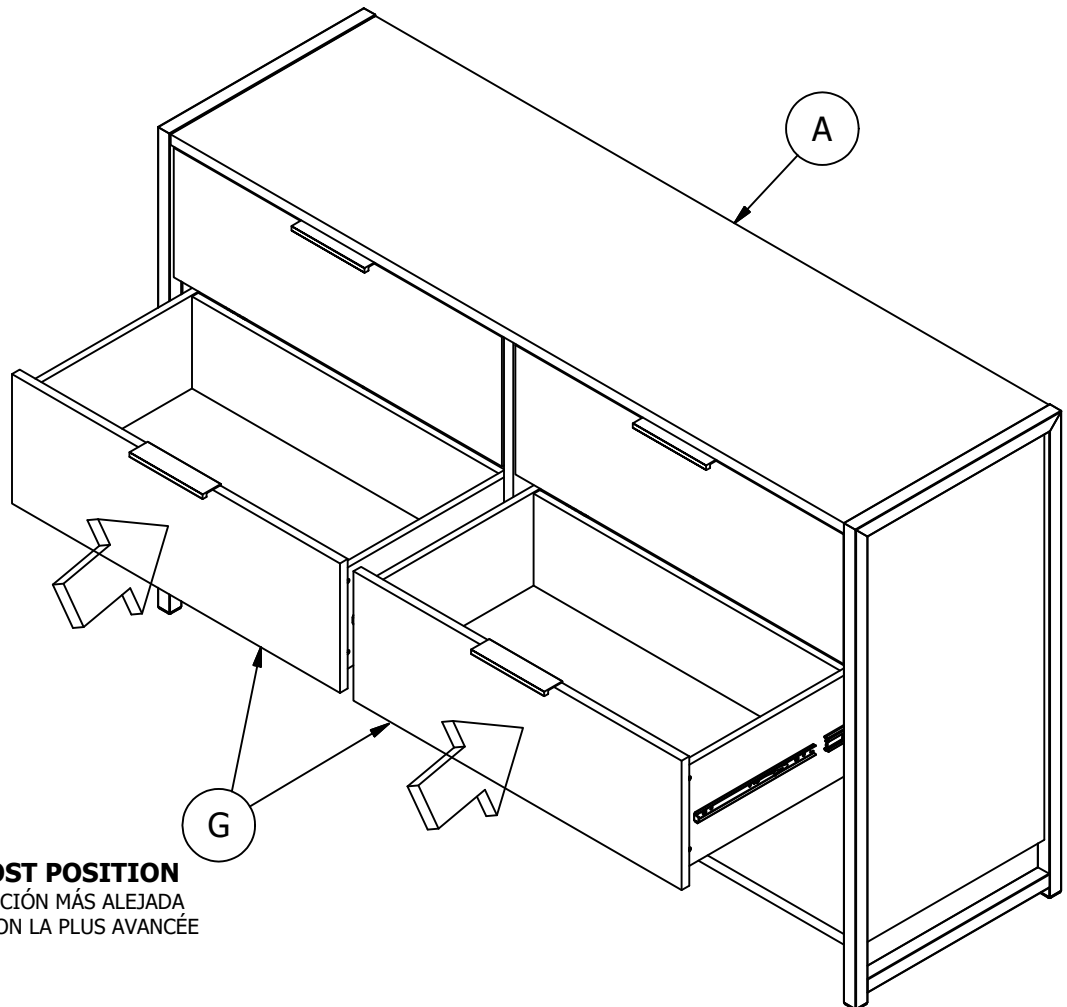
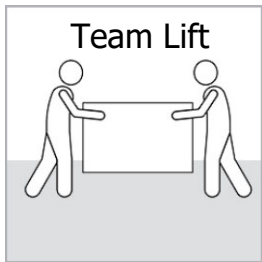
Scan QR Code to Watch Video on:



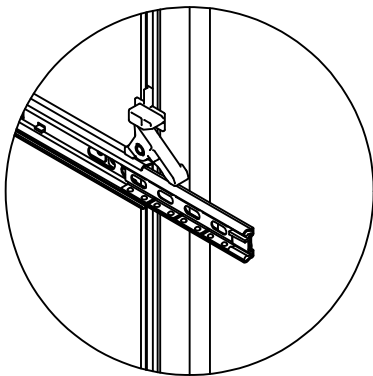
How to Separate and Install Drawer Slides

MIDDLE DRAWER INSTALLATION

INSTALACIÓN DEL CAJÓN CENTRAL
INSTALLATION DES TIROIRS DU CENTRE



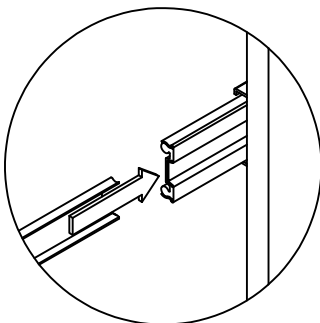
- 1. CLOSE ALL DRAWERS**
CERRAR TODOS LOS CAJONES
FERMER TOUS LES TIROIRS



- 2.**

MOVE SLIDE TO FORWARD MOST POSITION
DESPLACE LA CORREDERA HASTA LA POSICIÓN MÁS ALEJADA
DÉPLACER LA GLISSIÈRE DANS LA POSITION LA PLUS AVANCÉE

- 3.**



BOTH RIGHT AND LEFT SIDES

AMBOS LADOS DERECHO E IZQUIERDO
À DROITE ET À GAUCHE

- 4.**

INSERT DRAWER, CAREFULLY POSITION SLIDE RUNNER INTO MOUNT. OPEN AND CLOSE TO CHECK DRAWER FUNCTION.

INSERTE EL CAJÓN, COLOQUE CON CUIDADO LA CORREDERA EN EL SOPORTE. ABRA Y COMBRUEBA EL FUNCIONAMIENTO DEL CAJÓN.
INSÉRER LE TIROIR, POSITIONNER SOIGNEUSEMENT LA GLISSIÈRE DANS LE SUPPORT. OUVRIR ET FERMER LE TIROIR POUR VÉRIFIER SON FONCTIONNEMENT.

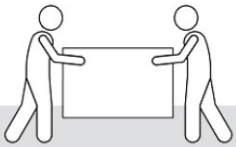
Have an assembly question or need a replacement part? Just call
1-800-950-4782, we are here to help.

Scan QR Code to Watch Video on:



How to Separate and Install Drawer Slides

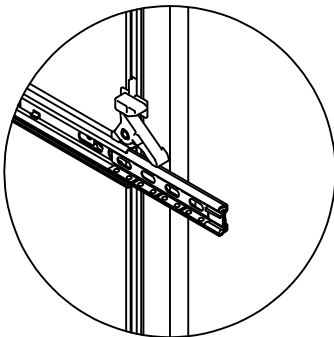
Team Lift



BOTTOM DRAWER INSTALLATION

INSTALACIÓN DEL CAJON INFERIOR
INSTALLATION DES TIROIRS DU BAS

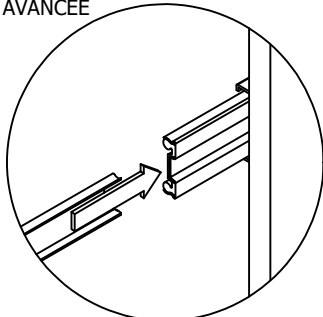
- 1. CLOSE ALL DRAWERS**
CERRAR TODOS LOS CAJONES
FERMER TOUS LES TIROIRS



2.

MOVE SLIDE TO FORWARD MOST POSITION

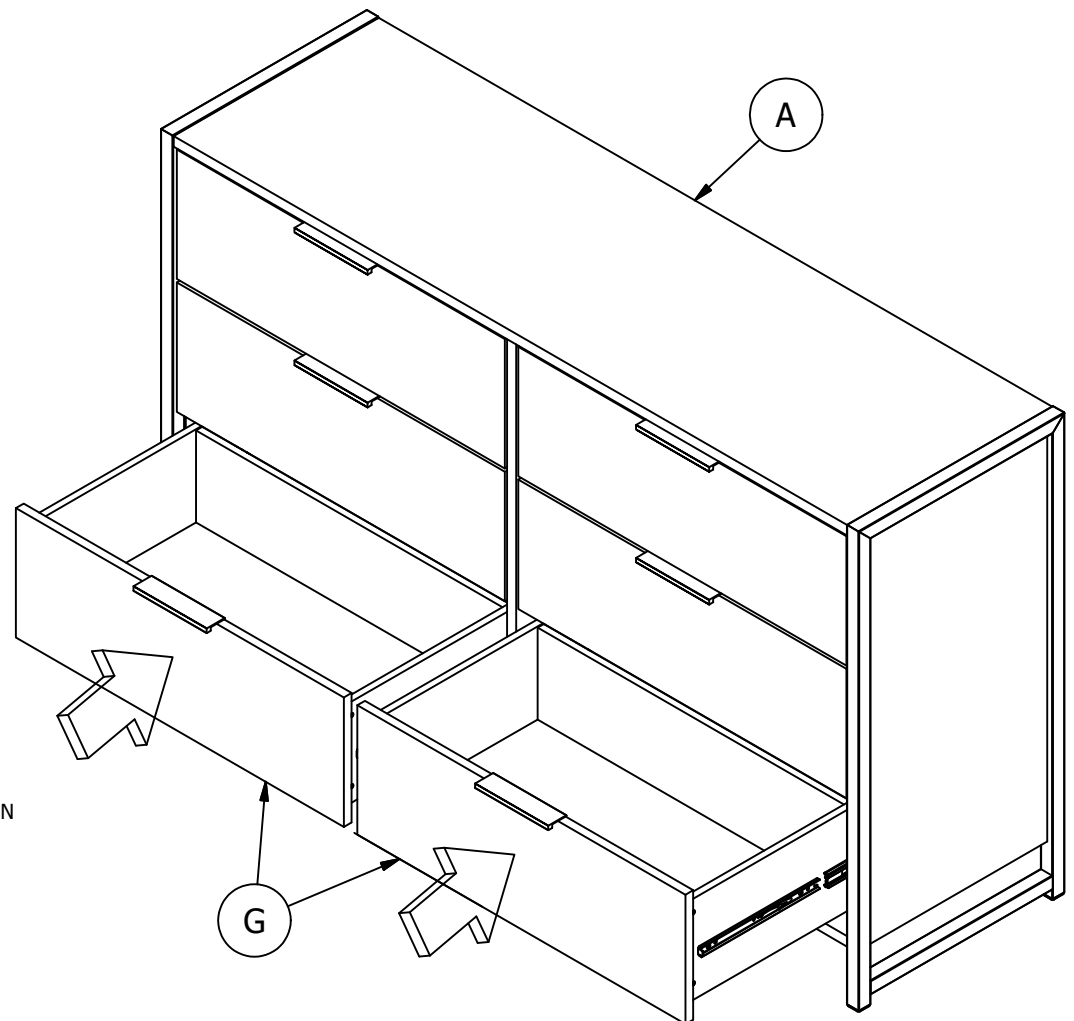
DESPLACE LA CORREDERA HASTA LA POSICIÓN MÁS ALEJADA
DÉPLACER LA GLISSIÈRE DANS LA POSITION LA PLUS AVANCÉE



3.

BOTH RIGHT AND LEFT SIDES

AMBOS LADOS DERECHO E IZQUIERDO
À DROITE ET À GAUCHE



4.

INSERT DRAWER, CAREFULLY POSITION SLIDE RUNNER INTO MOUNT. OPEN AND CLOSE TO CHECK DRAWER FUNCTION.

INSERTE EL CAJÓN, COLOQUE CON CUIDADO LA CORREDERA EN EL SOPORTE. ABRA Y COMBUEBA EL FUNCIONAMIENTO DEL CAJÓN.
INSÉRER LE TIROIR, POSITIONNER SOIGNEUSEMENT LA GLISSIÈRE DANS LE SUPPORT. OUVRIR ET FERMER LE TIROIR POUR VÉRIFIER SON FONCTIONNEMENT.

Have an assembly question or need a replacement part? Just call

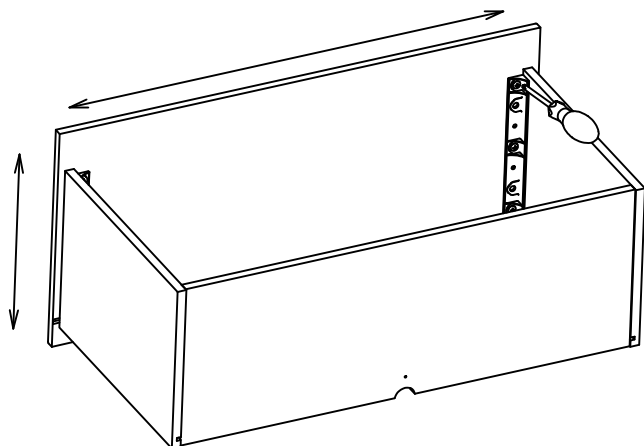
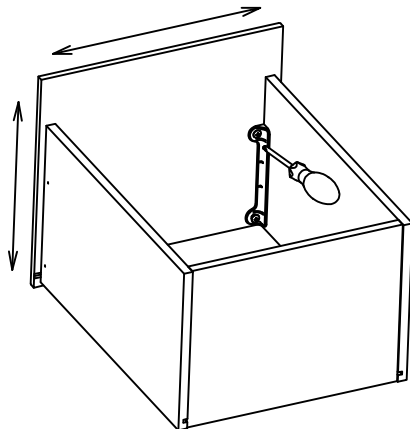
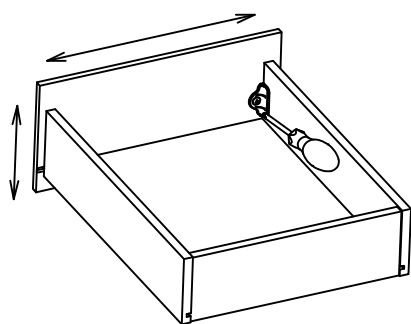
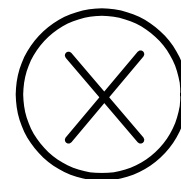
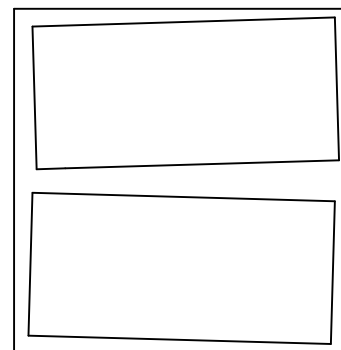
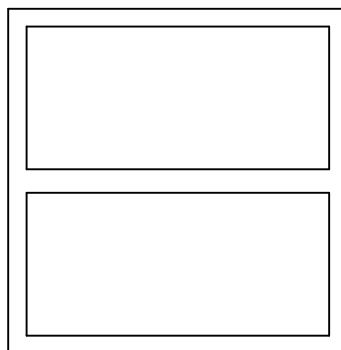
1-800-950-4782, we are here to help.

Scan QR Code to Watch Video on:



How to Adjust Drawer Fronts

DRAWER FRONT VIEW



REQUIRED TOOL: PHILLIPS SCREWDRIVER

HERRAMIENTA REQUERIDA: DESTORNILLADOR PHILLIPS
 OUTIL REQUIS: TOURNEVIS CRUCIFORME



1. LOOSEN SCREWS.
2. ADJUST DRAWER FRONTS.
3. TIGHTEN SCREWS.

1. Afloje los tornillos
2. Ajuste los frentes de los cajones
3. Apriete los tornillos

1. Desserrer les vis
2. Ajuster les façades des tiroirs
3. Serrer les vis

Have an assembly question or need a replacement part? Just call
1-800-950-4782, we are here to help.

Scan QR Code to
Watch Video on:



How to Clean
the Surface

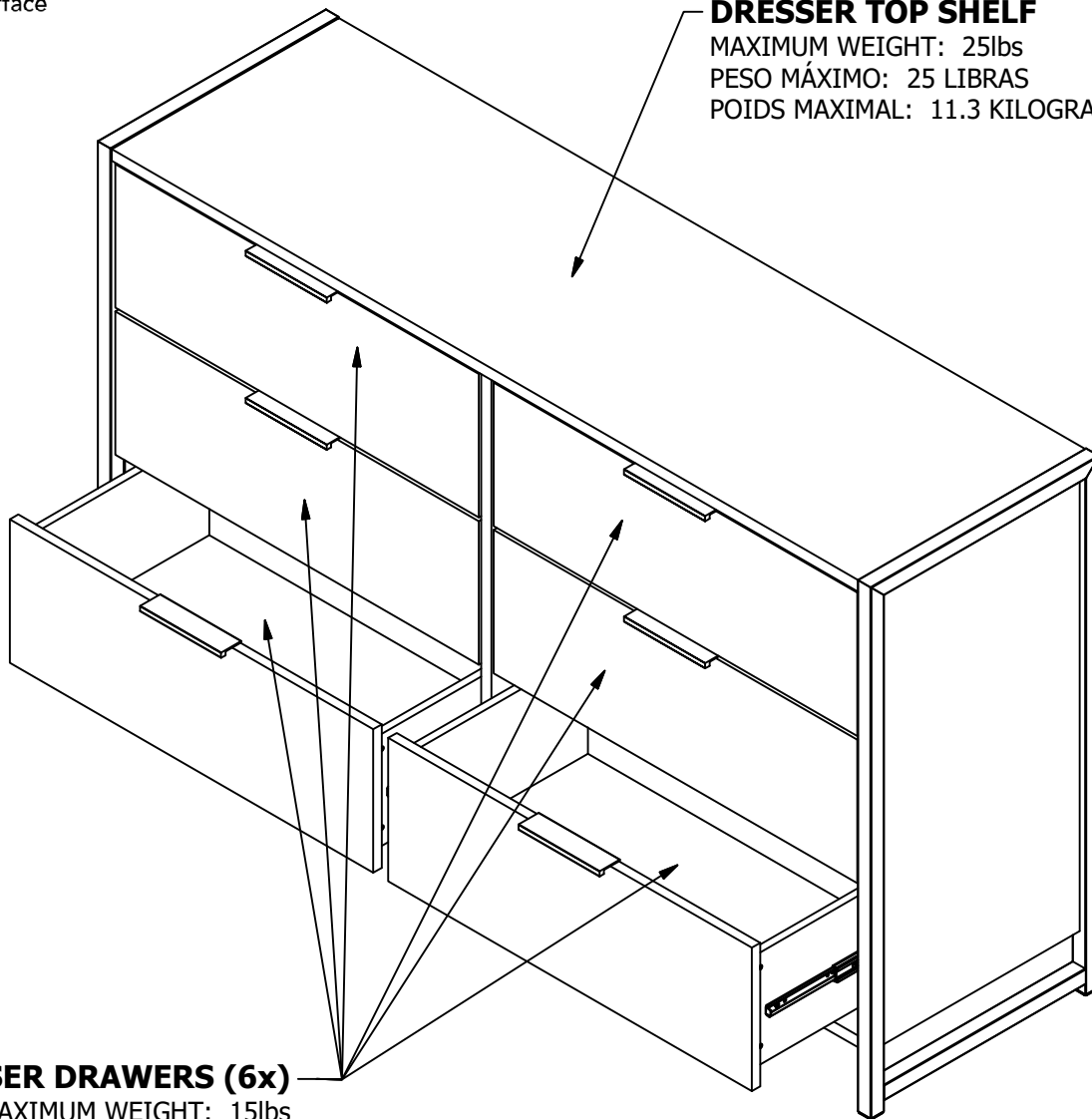
Gently clean surfaces with a damp sponge eraser.

DRESSER TOP SHELF

MAXIMUM WEIGHT: 25lbs

PESO MÁXIMO: 25 LIBRAS

POIDS MAXIMAL: 11.3 KILOGRAMME

**DRESSER DRAWERS (6x)**

MAXIMUM WEIGHT: 15lbs

PESO MÁXIMO: 15 LIBRAS

POIDS MAXIMAL: 6.8 KILOGRAMME

Congratulations! You are all done. If
you have any questions or concerns,
please call.

Have an assembly question or need a replacement part? Just call
1-800-950-4782, we are here to help.

ARS160CR			
Label	Qty.	Part Number	Description
A	1	W186659	TOP SHELF
B	1	W186660	LEFT SIDE PANEL
C	1	W186661	RIGHT SIDE PANEL
D	1	W186662	PARTITION
E	1	W186663	BOTTOM SHELF
F	2	W186664	BACK PANEL
G	6	W186665	DRAWER FRONT
H	12	W192210	DRAWER SIDE
I	6	W196595	DRAWER BACK
J	6	W184158	DRAWER BOTTOM
Q191847	1	Q191847	RIGHT SIDE PANEL ASSEMBLY
Q191848	1	Q191848	LEFT SIDE PANEL ASSEMBLY
Q189798	1	Q189798	FOOT ASSEMBLY

ARS160MH			
Label	Qty.	Part Number	Description
A	1	W206569	TOP SHELF
B	1	W206570	LEFT SIDE PANEL
C	1	W206571	RIGHT SIDE PANEL
D	1	W206572	PARTITION
E	1	W206573	BOTTOM SHELF
F	2	W186664	BACK PANEL
G	6	W206575	DRAWER FRONT
H	12	W192210	DRAWER SIDE
I	6	W196595	DRAWER BACK
J	6	W184158	DRAWER BOTTOM
Q191847	1	Q191847	RIGHT SIDE PANEL ASSEMBLY
Q191848	1	Q191848	LEFT SIDE PANEL ASSEMBLY
Q189798	1	Q189798	FOOT ASSEMBLY

ARS160PG			
Label	Qty.	Description	Description
A	1	W206577	TOP SHELF
B	1	W206578	LEFT SIDE PANEL
C	1	W206579	RIGHT SIDE PANEL
D	1	W206580	PARTITION
E	1	W206581	BOTTOM SHELF
F	2	W186664	BACK PANEL
G	6	W206583	DRAWER FRONT
H	12	W192210	DRAWER SIDE
I	6	W196595	DRAWER BACK
J	6	W184158	DRAWER BOTTOM
Q191847	1	Q191847	RIGHT SIDE PANEL ASSEMBLY
Q191848	1	Q191848	LEFT SIDE PANEL ASSEMBLY
Q189798	1	Q189798	FOOT ASSEMBLY

Have an assembly question or need a replacement part? Just call
1-800-950-4782, we are here to help.