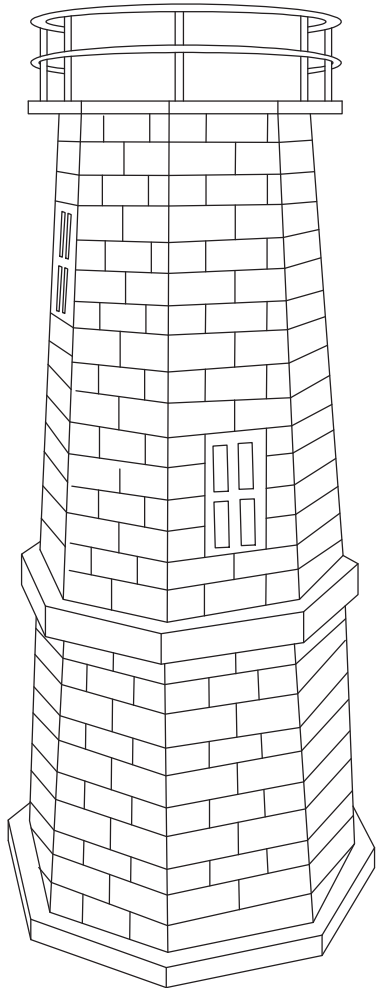
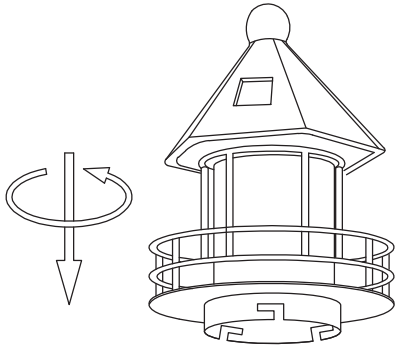


# DECORATIVE SOLAR LIGHTHOUSE

Read this manual carefully and follow the care instructions. Save this document for future reference.



*Lighthouse appearance/style may vary.*



Do **NOT** place the solar panel in shaded areas



Do **NOT** charge the solar panel behind glass



Clean the solar panels frequently

## HOW SOLAR LIGHTS WORK

During the day, the solar panel converts solar energy into electricity and stores it in the rechargeable battery. At night, the light turns on automatically via a light detecting sensor built into the unit. How long the light illuminates will depend upon location of the unit, weather conditions, and how much direct sunlight the solar panel is exposed to. **The power button must be switched 'ON' for battery to charge.**

## CHOOSING THE RIGHT LOCATION

- Select an outdoor location where the solar panel will receive at least 6-8 hours of full, direct sunlight every day. Ensure the solar panel will not become shaded by trees, shrubs, or buildings throughout the day; shade will influence the battery charge and shorten the illumination time at night. Approximate illumination time: 4 hours.
- At night, avoid locations with bright light sources nearby, such as street or porch lights. If the light detecting sensor receives too much ambient light, the unit will not illuminate.

## OPERATION

Locate the button on the underside of the topper. Press the button to switch the power to the 'ON' position.

Align the topper with the base and twist to lock pieces together.

Place the unit in a sunny location.

First Time Use: The lighthouse will require at least 8 hours of full, direct sunlight to fully charge the battery. Make sure the unit is turned 'ON' while charging. If you are unable to charge the battery for a full 8 hours, turn the solar panel off and wait until the following day to finish charging. As long as the battery has a sufficient charge, the lantern will automatically illuminate at night.

### **WARNING:**

Manufacturer and seller expressly disclaim any and all liability from personal injury, property damage or loss, whether direct or indirect, or incidental, resulting from the incorrect attachment, improper use, inadequate maintenance, or neglect of this product.

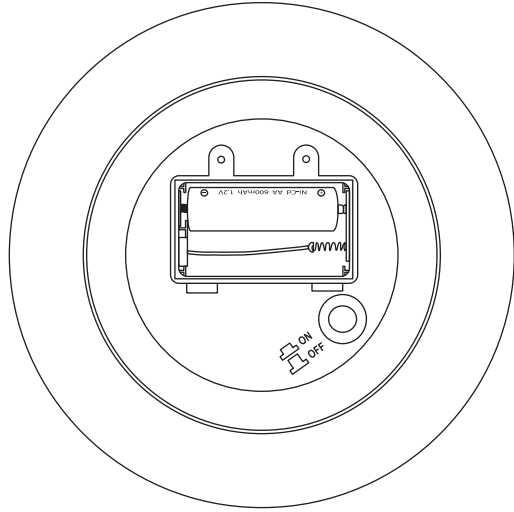
# THE BATTERY

The battery, like all rechargeable batteries, has a limited life span, and become less efficient with repeated charge/discharge cycles. As the capacity of the battery reduces, the hours of operation will lessen, and the battery will need to be replaced.

**IMPORTANT:** Only use a compatible rechargeable battery; alternative batteries may be incompatible, which may damage the unit and void the warranty.



This product uses a rechargeable battery. When the battery can no longer be used, it should be removed from the unit and recycled. The battery must not be incinerated or composted. Recycle the battery in accordance with local laws and regulations.



## CHANGING THE BATTERY

1. Switch the power button to the 'OFF' position.
2. Use a screwdriver to remove the battery cover.
3. Gently remove the old battery.
4. Paying attention to the positive and negative terminals, gently insert the new battery.
5. Replace the battery cover and secure the screws.
6. Switch the power button to the 'ON' position.
7. To fully charge the battery, ensure the solar panels receive at least 8 hours of full, direct sunlight before the first use with the new battery.

## USE & CARE

- For outdoor use only.
- Keep the solar panel clean by gently wiping it with a soft, damp cloth. Clean solar panels absorb more sunlight.
- Never use chemicals or abrasive materials to clean the lighthouse or solar panel.
- Store in a dry, warm, indoor location during inclement weather and freezing temperatures.
- Do not allow the unit to freeze. Freezing temperatures will damage the solar components and cause the lighthouse to crack.
- Turn the unit off before storing it. To help prolong the life of the battery, ensure it is fully charged before storing. Removing the battery during storage is recommended.
- Only use a compatible rechargeable battery; alternative batteries may be incompatible, which may damage the unit and void the warranty.

## TROUBLESHOOTING

- Ensure the power button is turned to the 'ON' position.
- Make sure the battery is installed correctly, observe polarity, and ensure contact is good.
- This product is designed to only illuminate at night. Make sure the light sensor is not receiving too much ambient light.
- If the light only works for a short time, attempt a 'Boost Charge':
  - Turn the power 'ON' and let it charge in full, direct sunlight for at least 8 hours.
  - Turn the power 'OFF' at night to conserve the battery.
  - Repeat this process for 2-3 days. If the light still does not illuminate, the battery may need replacing.

**Any modification to the product or failure to follow recommended care will void the product warranty.**

*If you experience issues with assembly or the product was damaged during shipping, please contact our customer service team through one of the methods mentioned at the top of page 1.*

*Please have the item number and order information ready to expedite response time.*