

AXOR ShowerSolutions
Handshower Module Trim 5" x 5", 2.0 GPM
Finishes : **brushed nickel** Part no. : **10651821**



Description

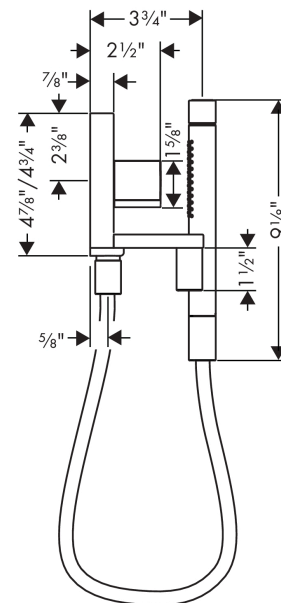
Features

- Consists of: Volume Control Valve, Handshower module, Baton handshower, Handshower Hose
- Volume control for 1 outlet

Product image



Scale drawing

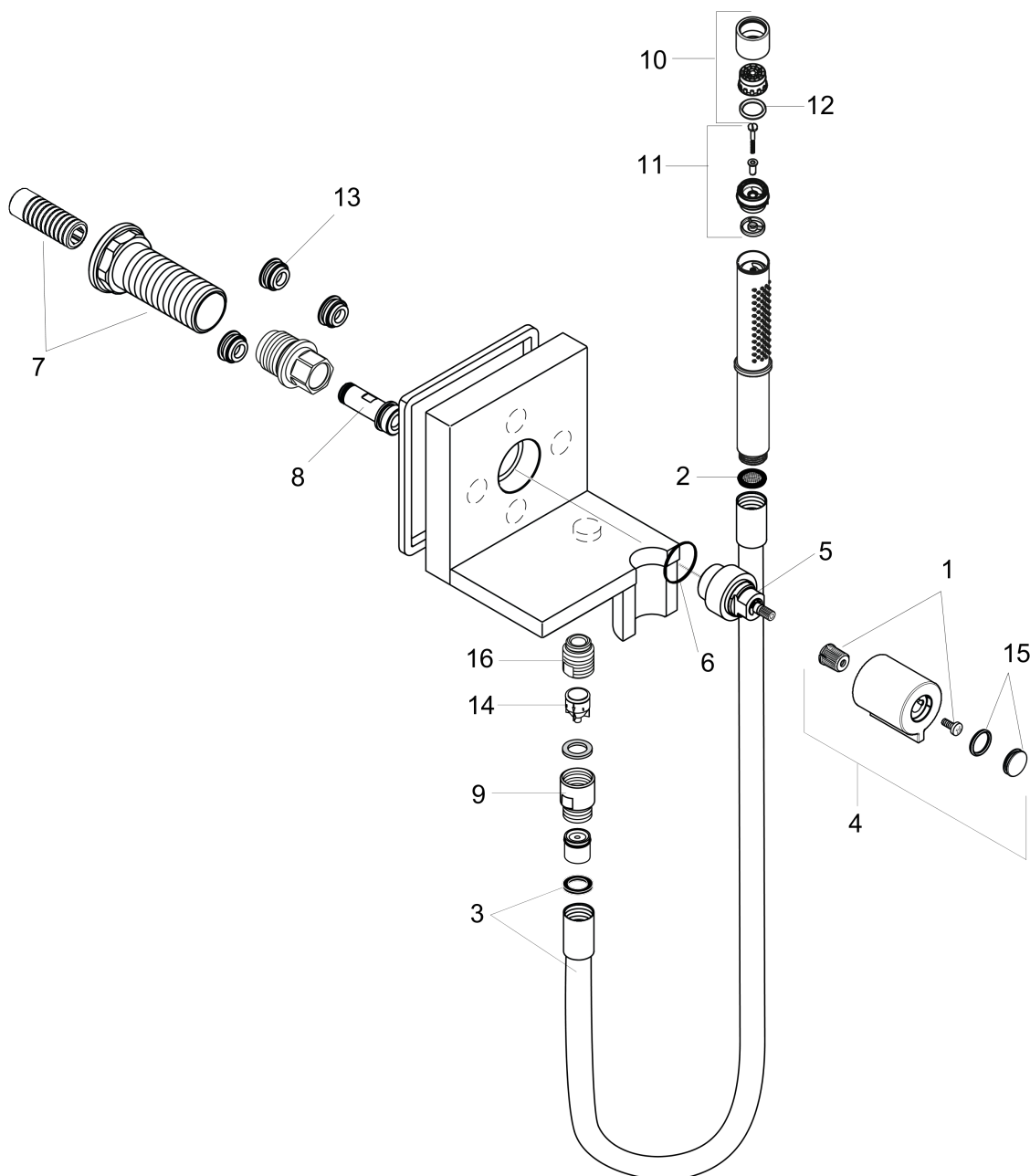


AXOR ShowerSolutions
Handshower Module Trim 5" x 5", 2.0 GPM
 Finishes : **brushed nickel** Part no. : **10651821**



Exploded drawing

Year of production: >01/18



AXOR ShowerSolutions
Handshower Module Trim 5" x 5", 2.0 GPM
 Finishes : **brushed nickel** Part no. : **10651821**



Spare parts list

Year of production: >01/18

Pos.	Description	Part no.	PC	PU
1	handle fixing set	98932000	0	1
2	filter packing	94246000	0	1
3	shower hose 1,25 m	28282820	0	1
4	handle	96298821	0	1
5	adapter for handle	95153820	0	1
6	O-ring 26x2	98147000	0	1
7	fixing set	95391000	0	1
8	connecting thread	98449000	0	1
9	connecting thread	95392820	0	1
10	spray former	95411000	0	1
11	selector assy	95511000	0	1
12	O-ring 15x1,5	92118000	0	1
13	O-Ring 14x2,5	98189000	0	1
14	non return valve	96737000	0	1
15	set of symbols	95238820	0	1
16	Hose Connection	96044820	0	1
a	extension set	10658000	0	1
b	base body	10650181	0	1
c	hexagon socket screw M6x10	92847000	0	1
d	plug	92859000	0	1