
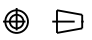
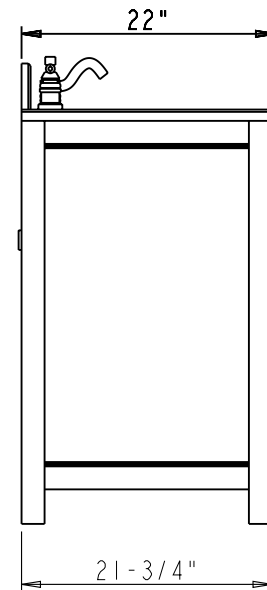
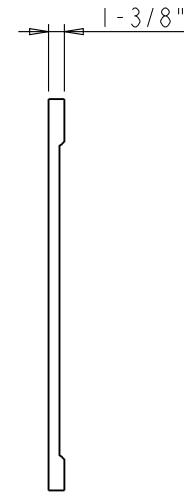
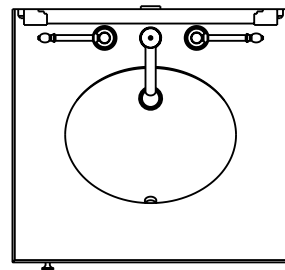
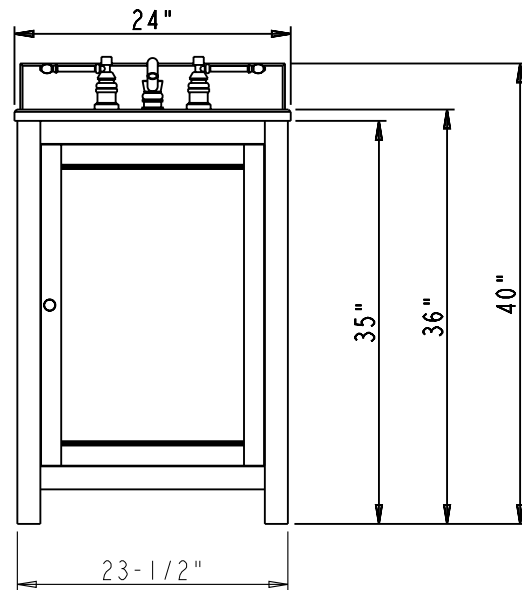
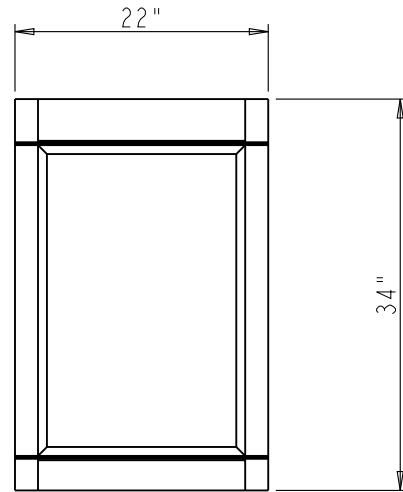


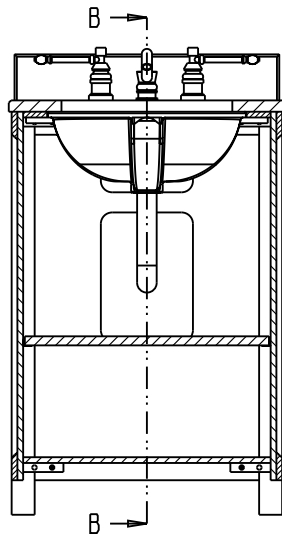
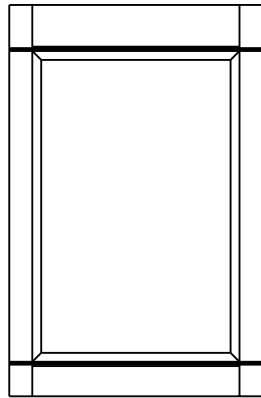
Specification:

1. Material: PLY wood and Birch
2. Finish: Cream White
3. Hardware: 3915SN (1 PCS)
4. Shelf Supports: 1707BN (4 PCS)
5. Hinge: 700.0537.05 with 600.1233.05 plate
6. Bowl: H8809
7. The tolerance is +/- 1/8"

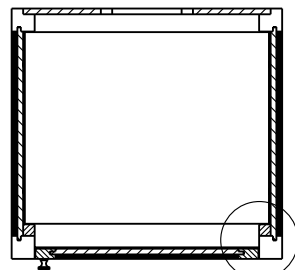
	ITEM#: VAN091-24		MATERIAL:		
	FINISH:		WEIGHT: 9		
PROPRIETARY AND CONFIDENTIAL THE INFORMATION CONTAINED IN THIS DRAWING IS THE SOLE PROPERTY OF HARDWARE RESOURCES INC. ANY REPRODUCTION IN PART OR AS A WHOLE WITHOUT THE WRITTEN PERMISSION OF HARDWARE RESOURCES INC. IS PROHIBITED	DO NOT SCALE DRAWING		UNIT:	DRAWN BY: <i>alan.liu</i>	DATE:
			SIZE:	CHECKED BY:	DATE:
	PAGE 01		APPROVED BY:	DATE:	
			PROJECTION: 		



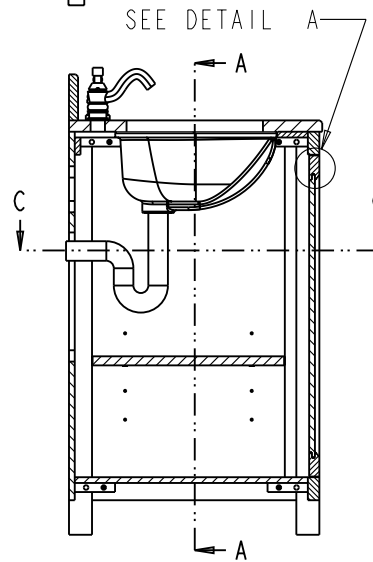
	ITEM#: VAN091-24		MATERIAL:	
	FINISH:		WEIGHT: 9	
PROPRIETARY AND CONFIDENTIAL THE INFORMATION CONTAINED IN THIS DRAWING IS THE SOLE PROPERTY OF HARDWARE RESOURCES INC. ANY REPRODUCTION IN PART OR AS A WHOLE WITHOUT THE WRITTEN PERMISSION OF HARDWARE RESOURCES INC. IS PROHIBITED.	PROJECTION:		DATE:	
	DO NOT SCALE DRAWING	UNIT:	DRAWN BY: <i>alan.liu</i>	DATE:
		SIZE:	CHECKED BY:	DATE:
	PAGE 02	APPROVED BY:	DATE:	



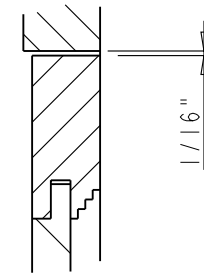
SECTION A-A
SCALE 3:50



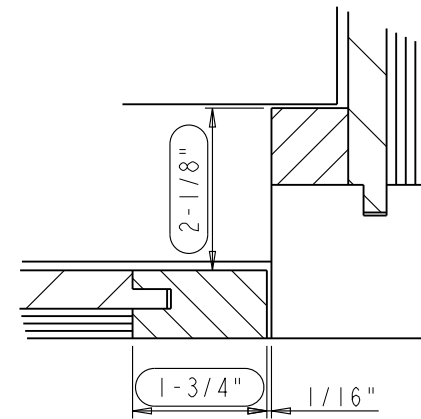
SEE DETAIL B
SECTION C-C



SECTION B-B

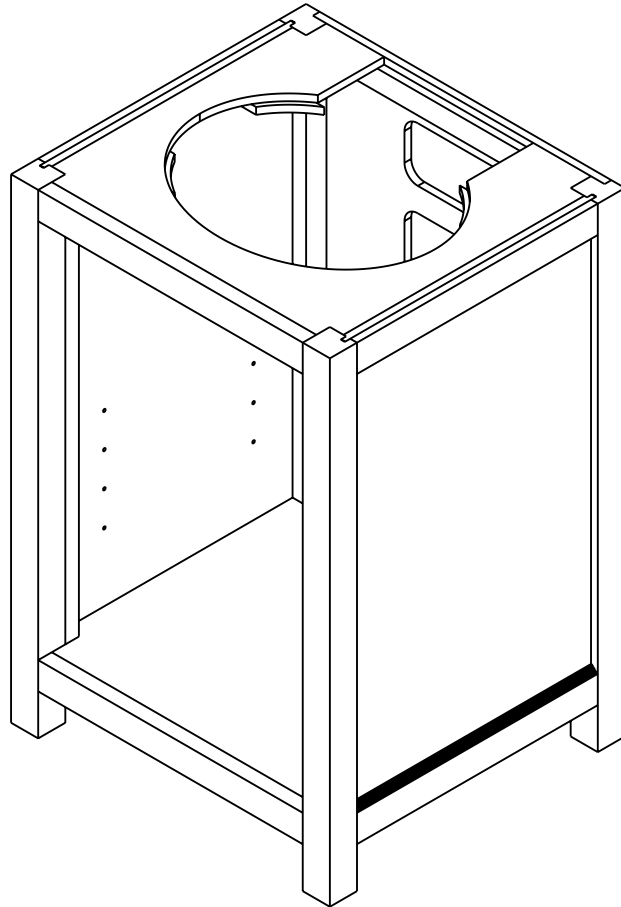


DETAIL A
SCALE 2:5




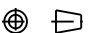
DETAIL B
SCALE 2:5

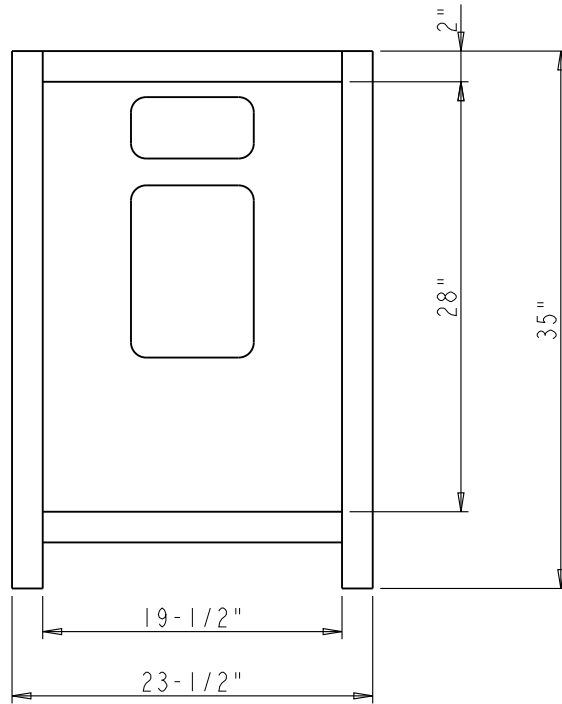
	ITEM:	VAN091-24		MATERIAL:
	FINISH:			WEIGHT: 9
<p>PROPRIETARY AND CONFIDENTIAL</p> <p>THE INFORMATION CONTAINED IN THIS DRAWING IS THE SOLE PROPERTY OF HARDWARE RESOURCES INC. ANY REPRODUCTION IN PART OR AS A WHOLE WITHOUT THE WRITTEN PERMISSION OF HARDWARE RESOURCES INC. IS PROHIBITED</p>	DO NOT SCALE DRAWING	UNIT:	DRAWN BY: <i>alan.liu</i>	DATE:
		SIZE:	CHECKED BY:	DATE:
		PAGE 03	APPROVED BY:	DATE:



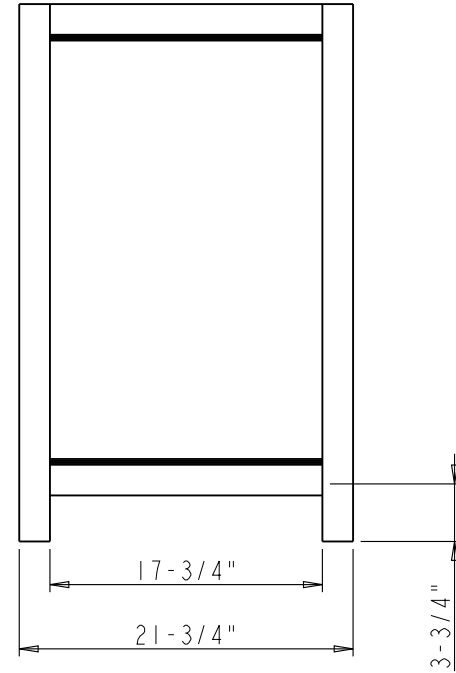
Specification:

1. Material: PLY wood and Birch
2. Finish: Cream White

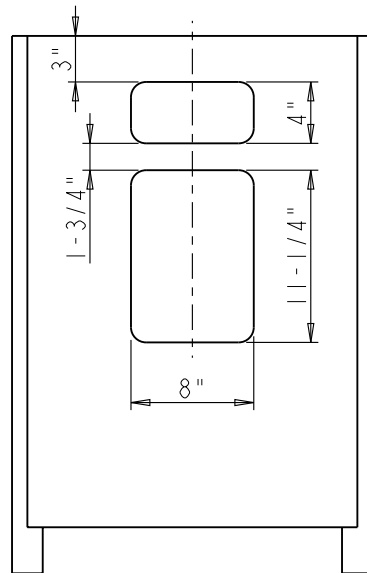
	ITEM#: CABINET-24		MATERIAL:		
	FINISH:		WEIGHT: 9		
PROPRIETARY AND CONFIDENTIAL THE INFORMATION CONTAINED IN THIS DRAWING IS THE SOLE PROPERTY OF HARDWARE RESOURCES INC. ANY REPRODUCTION IN PART OR AS A WHOLE WITHOUT THE WRITTEN PERMISSION OF HARDWARE RESOURCES INC. IS PROHIBITED	DO NOT SCALE DRAWING	UNIT:	DRAWN BY: <i>alan.liu</i>	DATE:	
		SIZE:	CHECKED BY:	DATE:	
		PAGE 04		APPROVED BY:	DATE:
		PROJECTION: 			



FRONT VIEW

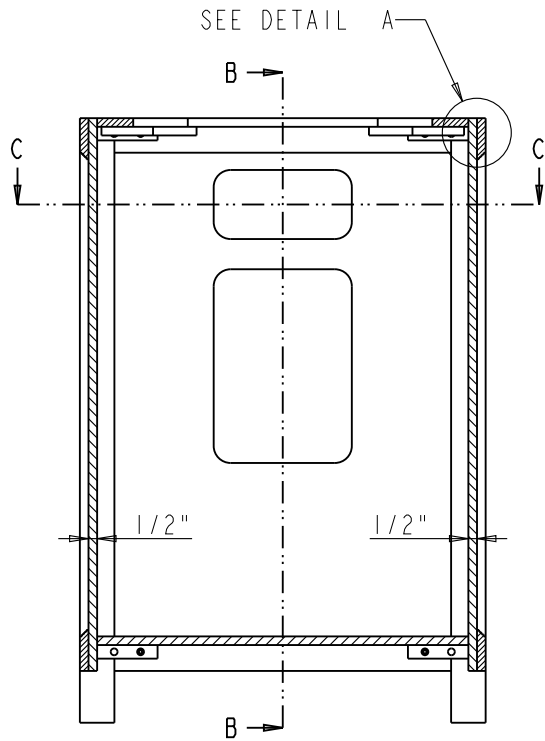


SIDE VIEW

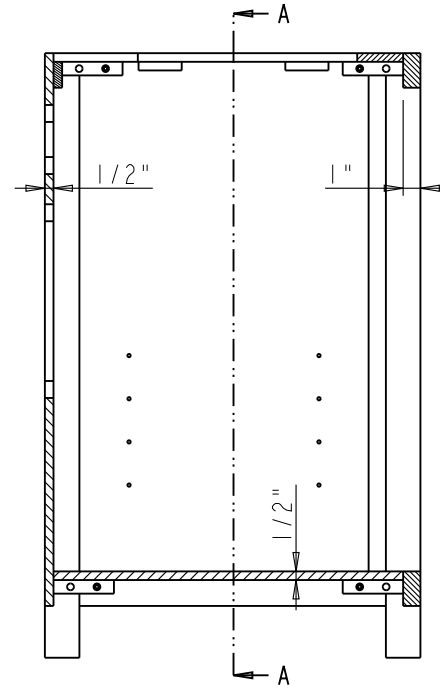


REAR VIEW

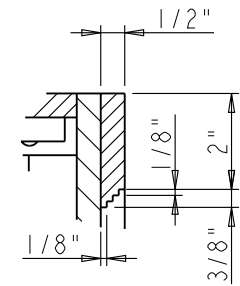
	ITEM:	CABINET-24	MATERIAL:
	FINISH:		WEIGHT:
PROPRIETARY AND CONFIDENTIAL THE INFORMATION CONTAINED IN THIS DRAWING IS THE SOLE PROPERTY OF HARDWARE RESOURCES INC. ANY REPRODUCTION IN PART OR AS A WHOLE WITHOUT THE WRITTEN PERMISSION OF HARDWARE RESOURCES INC. IS PROHIBITED.	DO NOT SCALE DRAWING	UNIT:	DRAWN BY:
		SIZE:	CHECKED BY:
		PAGE 05	APPROVED BY:
			DATE:
			DATE:
			DATE:



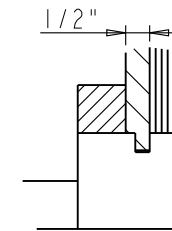
SECTION A-A
SCALE 9:100



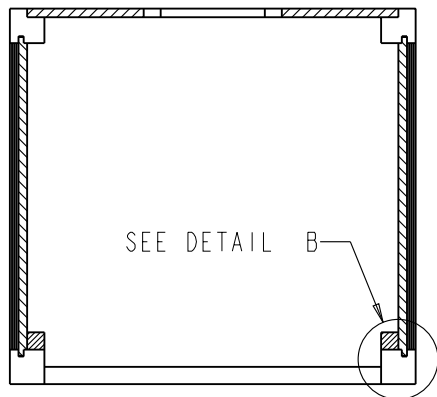
SECTION B-B



DETAIL A
SCALE 1:4

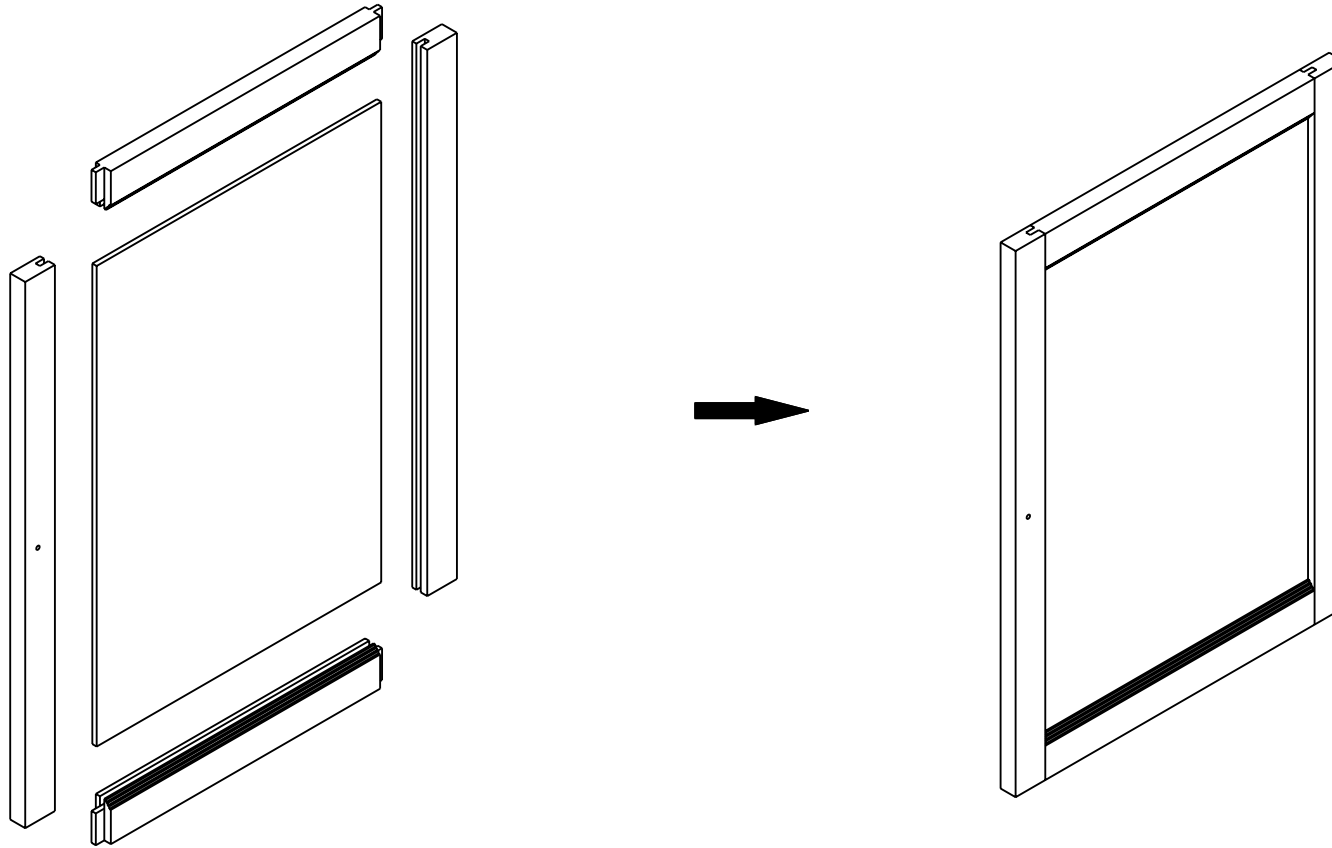


DETAIL B
SCALE 1:4




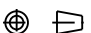
SECTION C-C

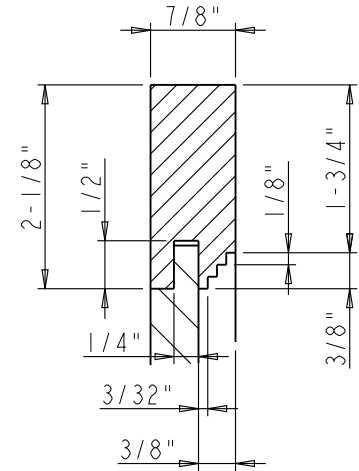
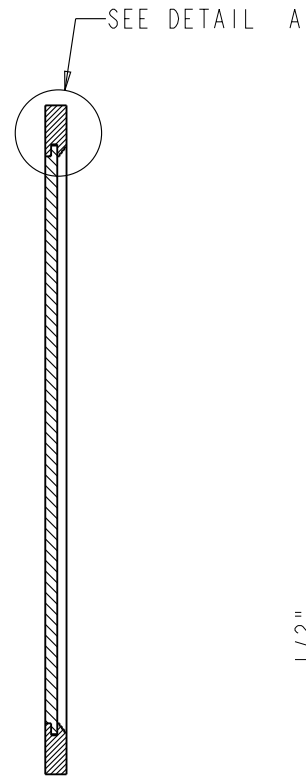
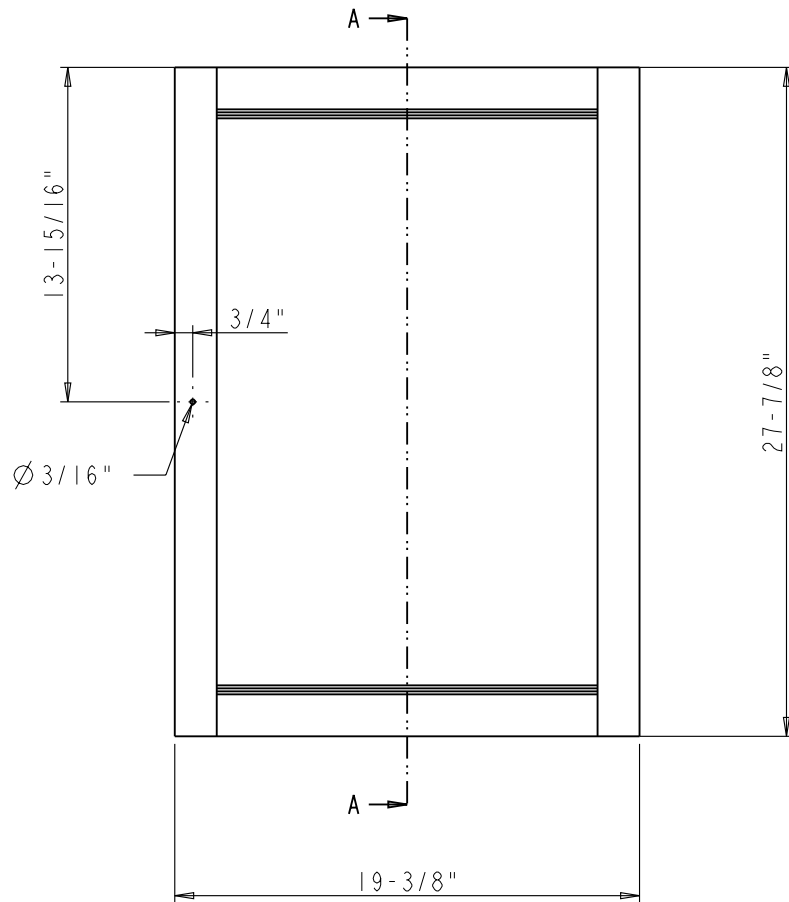
	ITEM:	CABINET-24		MATERIAL:
	FINISH:			WEIGHT: 9
PROPRIETARY AND CONFIDENTIAL THE INFORMATION CONTAINED IN THIS DRAWING IS THE SOLE PROPERTY OF HARDWARE RESOURCES INC. ANY REPRODUCTION IN PART OR AS A WHOLE WITHOUT THE WRITTEN PERMISSION OF HARDWARE RESOURCES INC. IS PROHIBITED.	DO NOT SCALE DRAWING	UNIT:	DRAWN BY:	DATE:
		SIZE:	<i>alan.liu</i>	DATE:
		PAGE 06	CHECKED BY:	DATE:
		APPROVED BY:	DATE:	



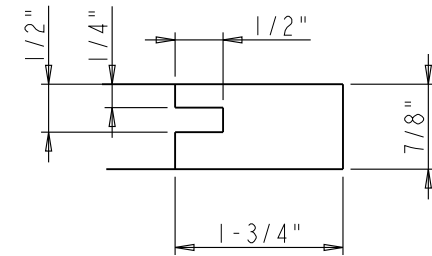
Specification:

1. Material: PLY wood and Birch
2. Finish: Cream White

	ITEM#: DOOR		MATERIAL:	
	FINISH:		WEIGHT: 9	
PROPRIETARY AND CONFIDENTIAL THE INFORMATION CONTAINED IN THIS DRAWING IS THE SOLE PROPERTY OF HARDWARE RESOURCES INC. ANY REPRODUCTION IN PART OR AS A WHOLE WITHOUT THE WRITTEN PERMISSION OF HARDWARE RESOURCES INC. IS PROHIBITED.	DO NOT SCALE DRAWING		PROJECTION: 	
	UNIT:	DRAWN BY: <i>alan.liu</i>	DATE:	
	SIZE:	CHECKED BY:	DATE:	
PAGE 07		APPROVED BY:	DATE:	



DETAIL A
SCALE 1:2

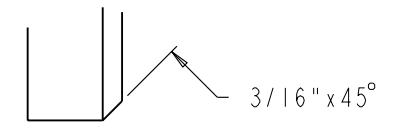
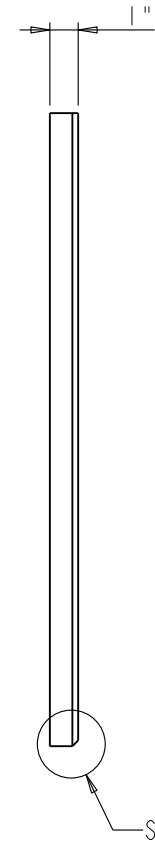
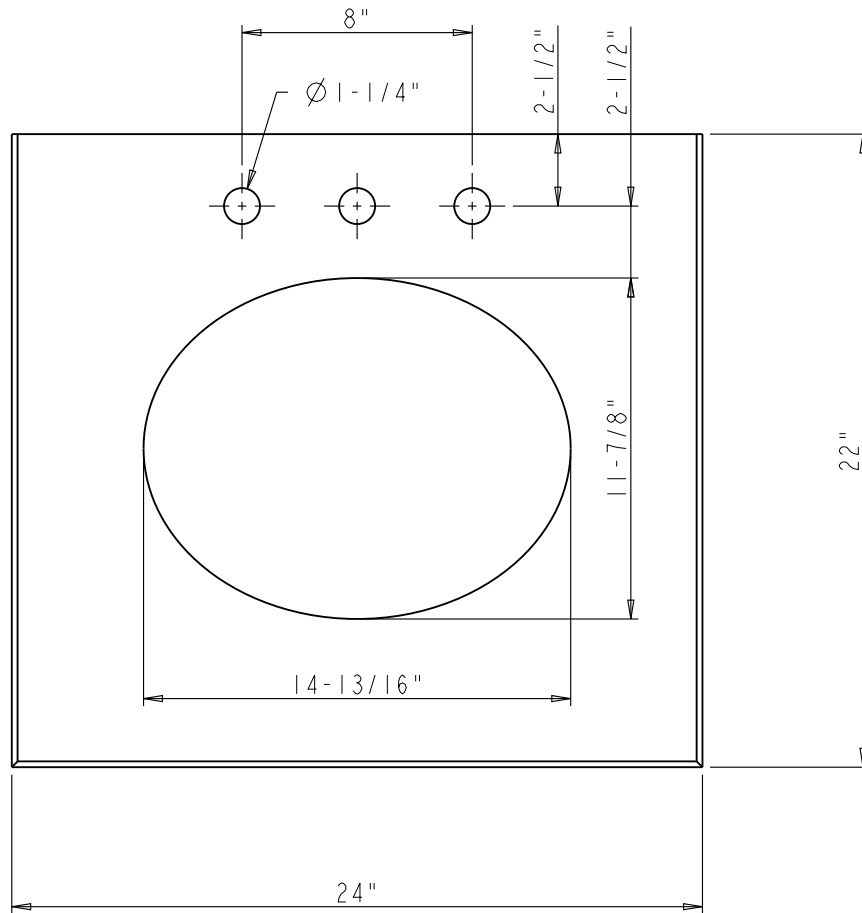


DETAIL B
SCALE 1:2

SECTION A-A

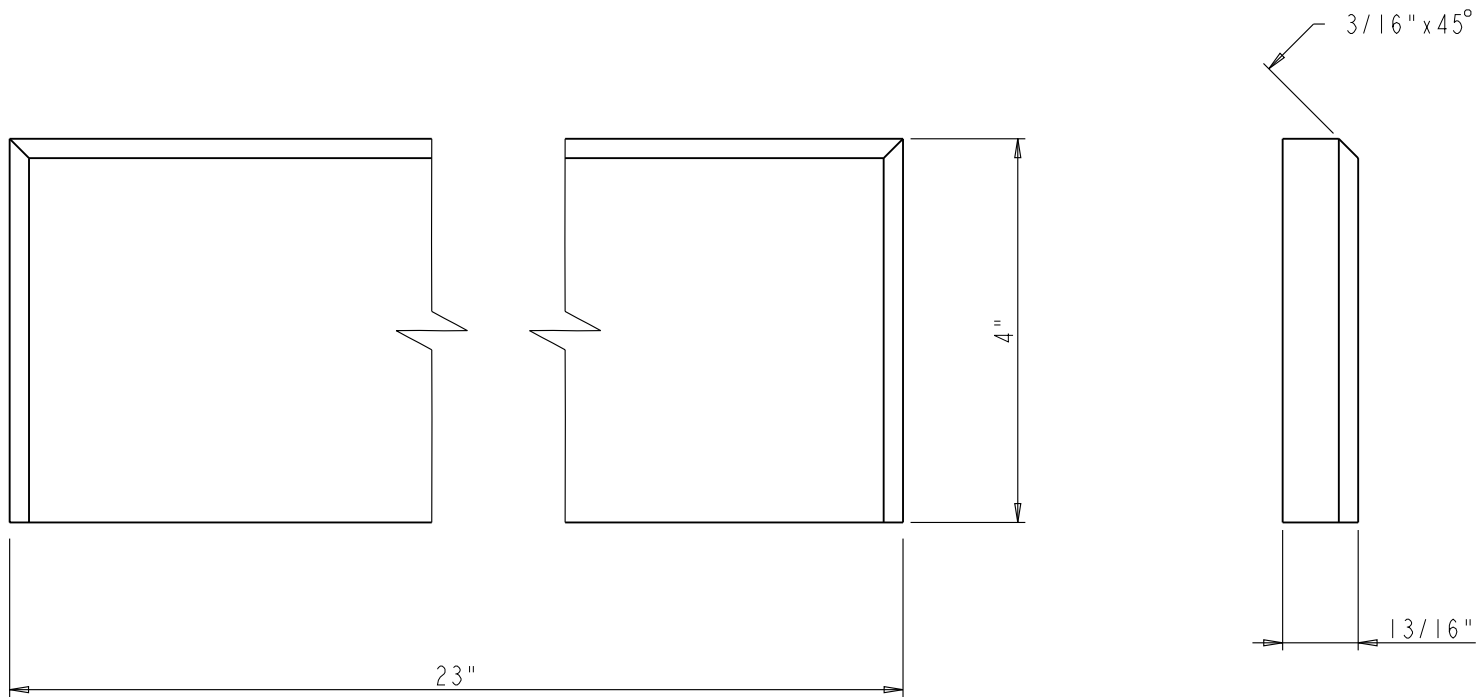


	ITEM: DOOR		MATERIAL:	
	FINISH:		WEIGHT: 9	
PROPRIETARY AND CONFIDENTIAL THE INFORMATION CONTAINED IN THIS DRAWING IS THE SOLE PROPERTY OF HARDWARE RESOURCES INC. ANY REPRODUCTION IN PART OR AS A WHOLE WITHOUT THE WRITTEN PERMISSION OF HARDWARE RESOURCES INC. IS PROHIBITED.	DO NOT SCALE DRAWING	UNIT:	DRAWN BY: <i>alan.liu</i>	DATE:
		SIZE:	CHECKED BY:	DATE:
		PAGE 08	APPROVED BY:	DATE:
			PROJECTION:	

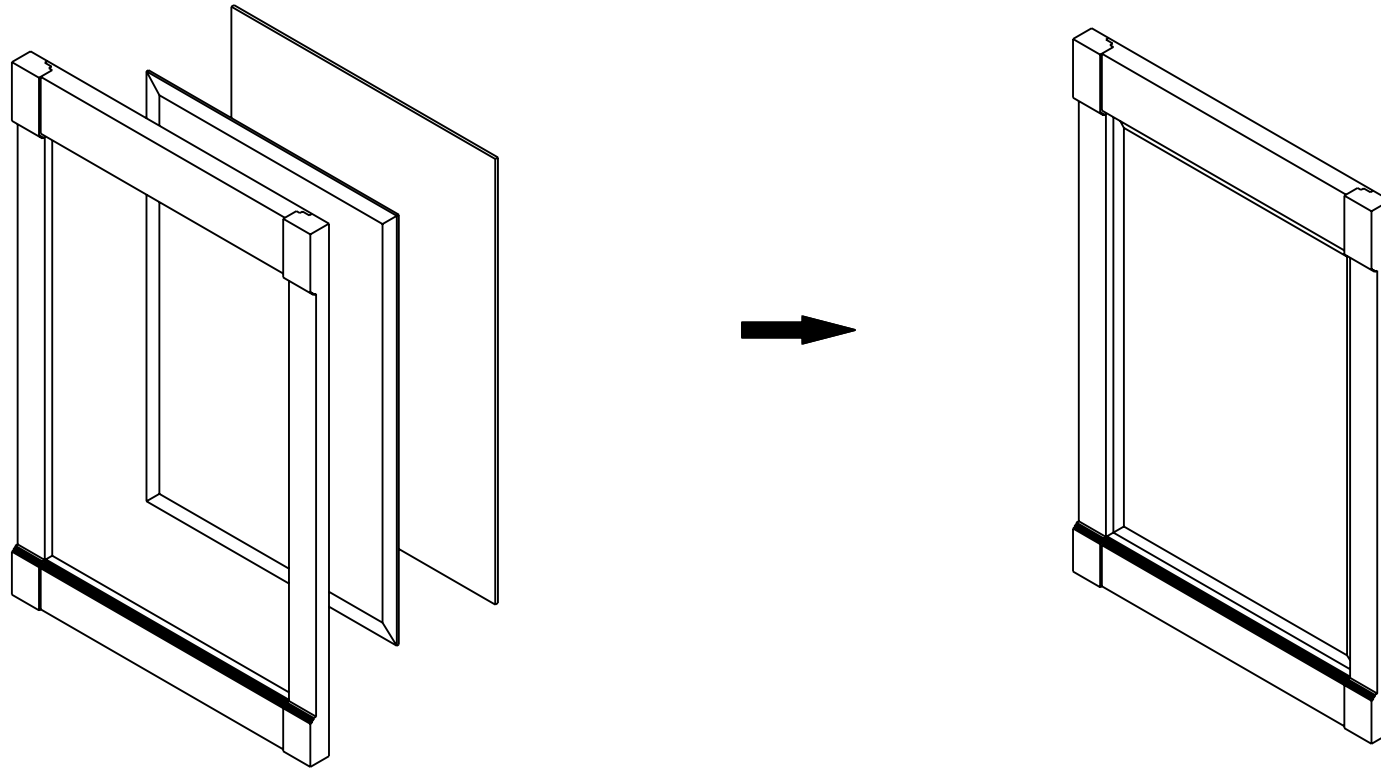


DETAIL A
SCALE 1:2

	ITEM#: VRTOP91-24-2209C		MATERIAL:	
	FINISH:		WEIGHT: 9	
PROPRIETARY AND CONFIDENTIAL THE INFORMATION CONTAINED IN THIS DRAWING IS THE SOLE PROPERTY OF HARDWARE RESOURCES INC. ANY REPRODUCTION IN PART OR AS A WHOLE WITHOUT THE WRITTEN PERMISSION OF HARDWARE RESOURCES INC. IS PROHIBITED.	DO NOT SCALE DRAWING	UNIT:	DRAWN BY: <i>alan.liu</i>	DATE:
		SIZE:	CHECKED BY:	DATE:
		PAGE 09	APPROVED BY:	DATE:
			PROJECTION:	


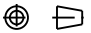


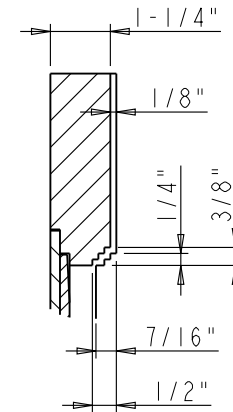
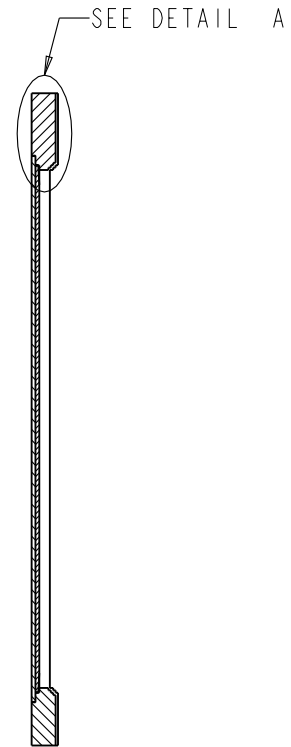
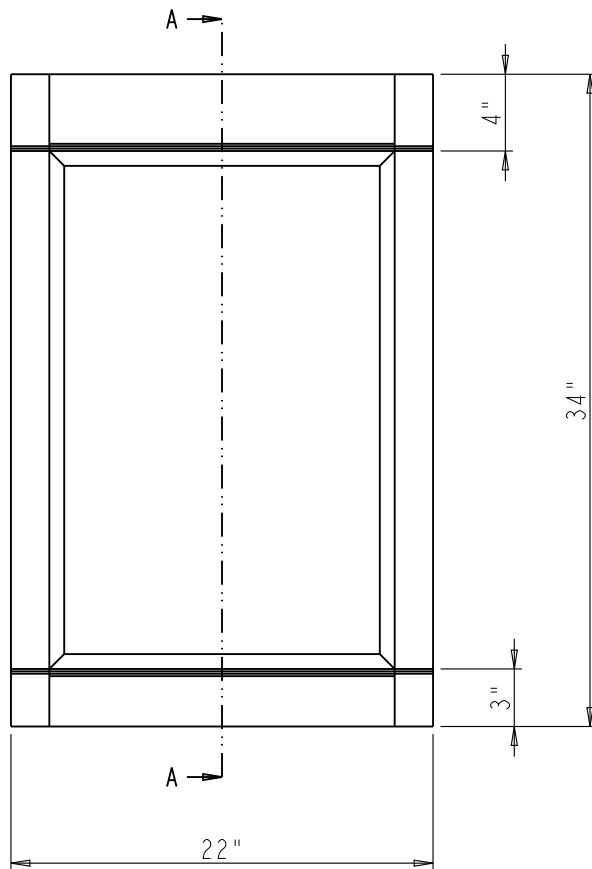
	ITEM#: VSPLASH-23		MATERIAL:	
	FINISH:		WEIGHT: 9	
PROPRIETARY AND CONFIDENTIAL THE INFORMATION CONTAINED IN THIS DRAWING IS THE SOLE PROPERTY OF HARDWARE RESOURCES INC. ANY REPRODUCTION IN PART OR AS A WHOLE WITHOUT THE WRITTEN PERMISSION OF HARDWARE RESOURCES INC. IS PROHIBITED.	PROJECTION:		DATE:	
	DO NOT SCALE DRAWING	UNIT:	DRAWN BY: <i>alan.liu</i>	DATE:
		SIZE:	CHECKED BY:	DATE:
PAGE 10	APPROVED BY:	DATE:		



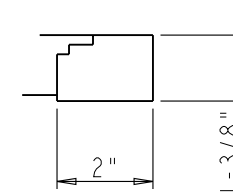
Specification:

1. Material: PLY wood and Birch
2. Finish: Cream White

	ITEM#: MIR091-W22		MATERIAL:		
	FINISH:		WEIGHT: 9		
PROPRIETARY AND CONFIDENTIAL THE INFORMATION CONTAINED IN THIS DRAWING IS THE SOLE PROPERTY OF HARDWARE RESOURCES INC. ANY REPRODUCTION IN PART OR AS A WHOLE WITHOUT THE WRITTEN PERMISSION OF HARDWARE RESOURCES INC. IS PROHIBITED	DO NOT SCALE DRAWING		PROJECTION: 		
			UNIT:	DRAWN BY: <i>alan.liu</i>	DATE:
			SIZE:	CHECKED BY:	DATE:
PAGE 11		APPROVED BY:	DATE:		



DETAIL A
SCALE 1:4

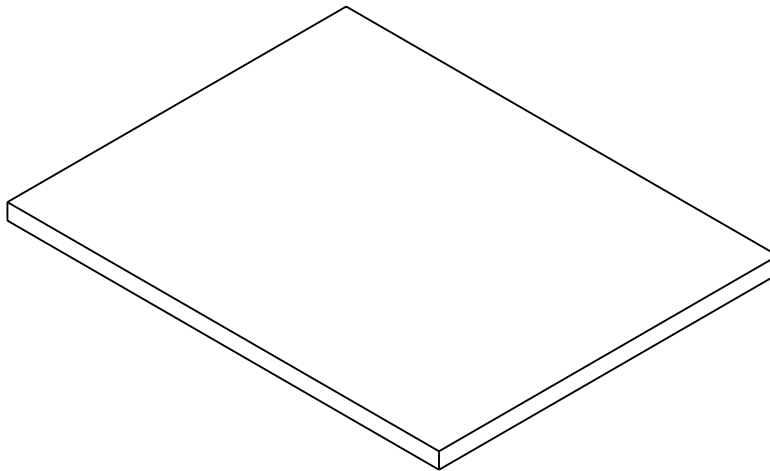
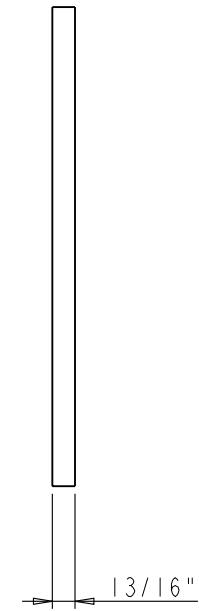
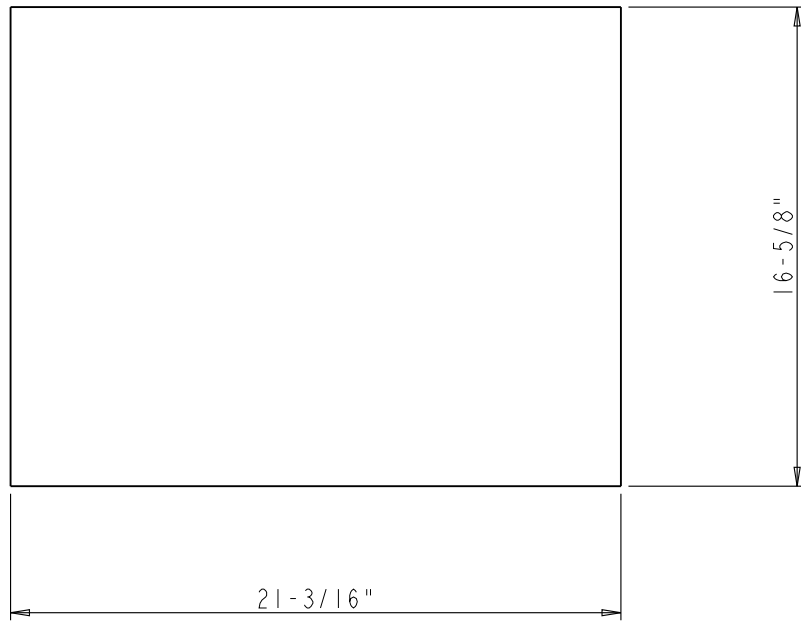



DETAIL B
SCALE 1:4



SECTION A-A

	ITEM: MIR091-W22		MATERIAL:	
	FINISH:		WEIGHT: 9	
PROPRIETARY AND CONFIDENTIAL THE INFORMATION CONTAINED IN THIS DRAWING IS THE SOLE PROPERTY OF HARDWARE RESOURCES INC. ANY REPRODUCTION IN PART OR AS A WHOLE WITHOUT THE WRITTEN PERMISSION OF HARDWARE RESOURCES INC. IS PROHIBITED.	PROJECTION:		DATE:	
	DO NOT SCALE DRAWING	UNIT:	DRAWN BY: <i>alan.liu</i>	DATE:
		SIZE:	CHECKED BY:	DATE:
	PAGE 12	APPROVED BY:	DATE:	



	ITEM#: ADJUSTABLE-SHELF-24		MATERIAL:	
	FINISH:		WEIGHT: 9	
<p>PROPRIETARY AND CONFIDENTIAL</p> <p>THE INFORMATION CONTAINED IN THIS DRAWING IS THE SOLE PROPERTY OF HARDWARE RESOURCES INC. ANY REPRODUCTION IN PART OR AS A WHOLE WITHOUT THE WRITTEN PERMISSION OF HARDWARE RESOURCES INC. IS PROHIBITED</p>	DO NOT SCALE DRAWING	UNIT:	DRAWN BY: <i>alan.liu</i>	DATE:
		SIZE:	CHECKED BY:	DATE:
		PAGE 13	APPROVED BY:	DATE:
			PROJECTION: 