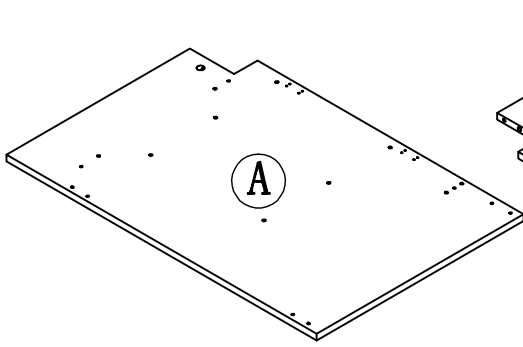


584680

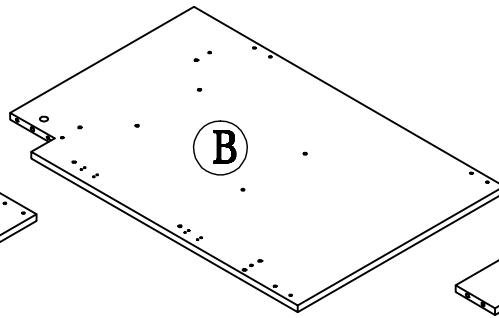
# ASSEMBLY INSTRUCTIONS

DHICorp:5205WDongesBayRd:MequonWI53092-800.558.8700

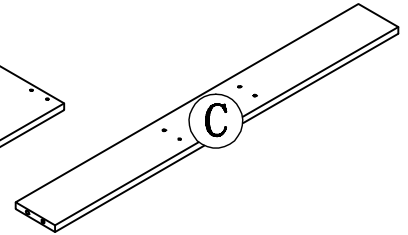
# PARTS LIST:



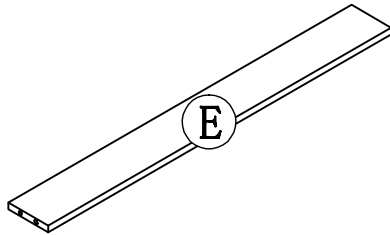
LEFT SIDE PANEL 1PC



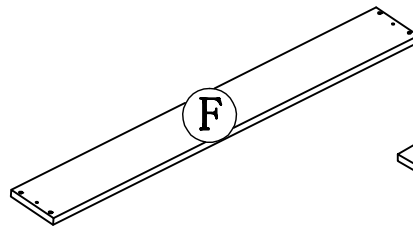
RIGHT SIDE PANEL 1PC



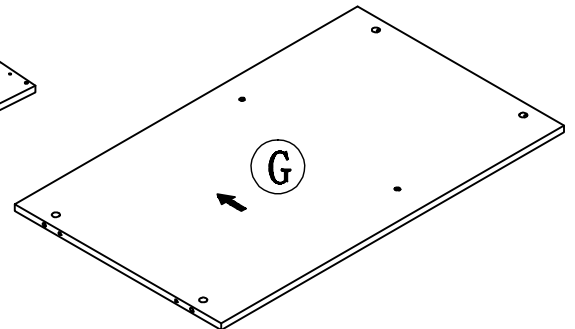
LOWER BACK CROSS BRACE 1PC



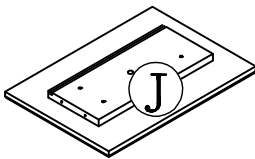
UP BACK CROSS BRACE 1PC



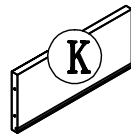
TOE KICK PANEL 1PC



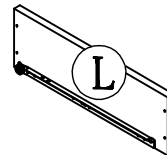
BOTTOM PANEL 1PC



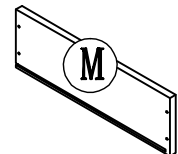
DRAWER FRONT 2PCS



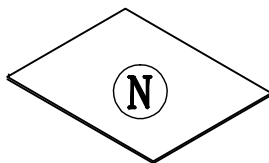
DRAWER BACK PANEL 2PCS



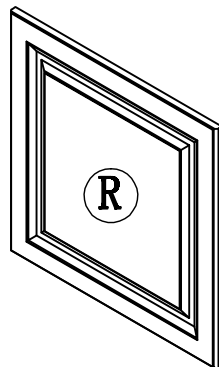
DRAWER LEFT SIDE PANEL 2PCS



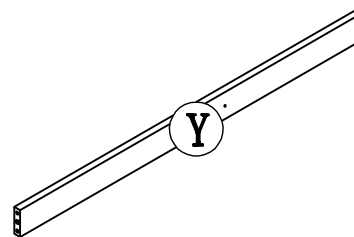
DRAWER RIGHT SIDE PANEL 2PCS



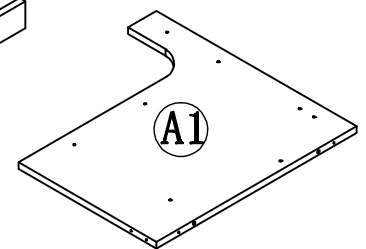
DRAWER BOTTOM PANEL 2PCS



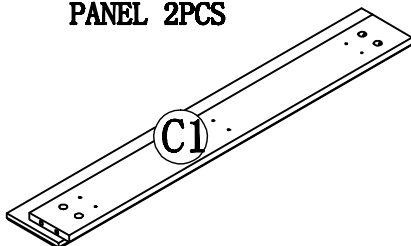
DOOR 1PC



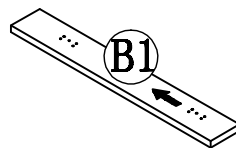
FRONT CROSS BRACE 1PC



PARTITION 1PC



FALSE DRAWER FRONT 1PC

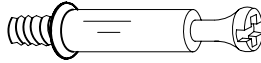


SMALL PARTITION 1PCS

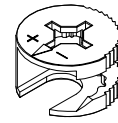
# HARDWARE LIST:



a. WOOD DOWEL 14PCS



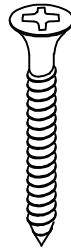
b. CAM LOCK SCREW  
20PCS



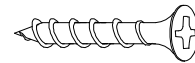
c. CAM LOCK 20PCS



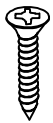
d. 1" L FLAT HEAD  
SCREW 4PCS



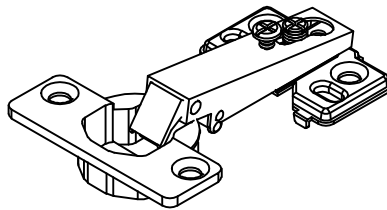
e. 1-1/2" L FLAT HEAD  
SCREW 19PCS



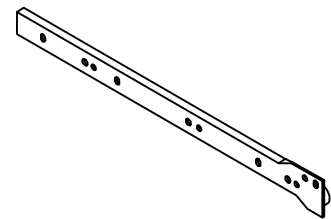
f. 5/8" L FLAT HEAD SCREW  
12PCS



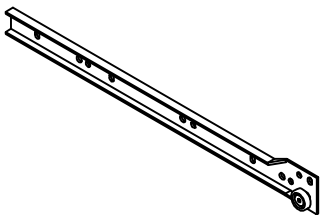
g. 1/2" L FLAT HEAD  
SCREW 12PCS



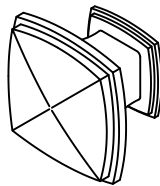
h. HINGE 2PCS



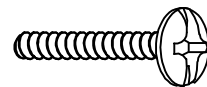
i. LEFT SIDE DRAWER  
GUIDE 2PCS



j. RIGHT SIDE DRAWER  
GUIDE 2PCS



l. KNOB 3PCS



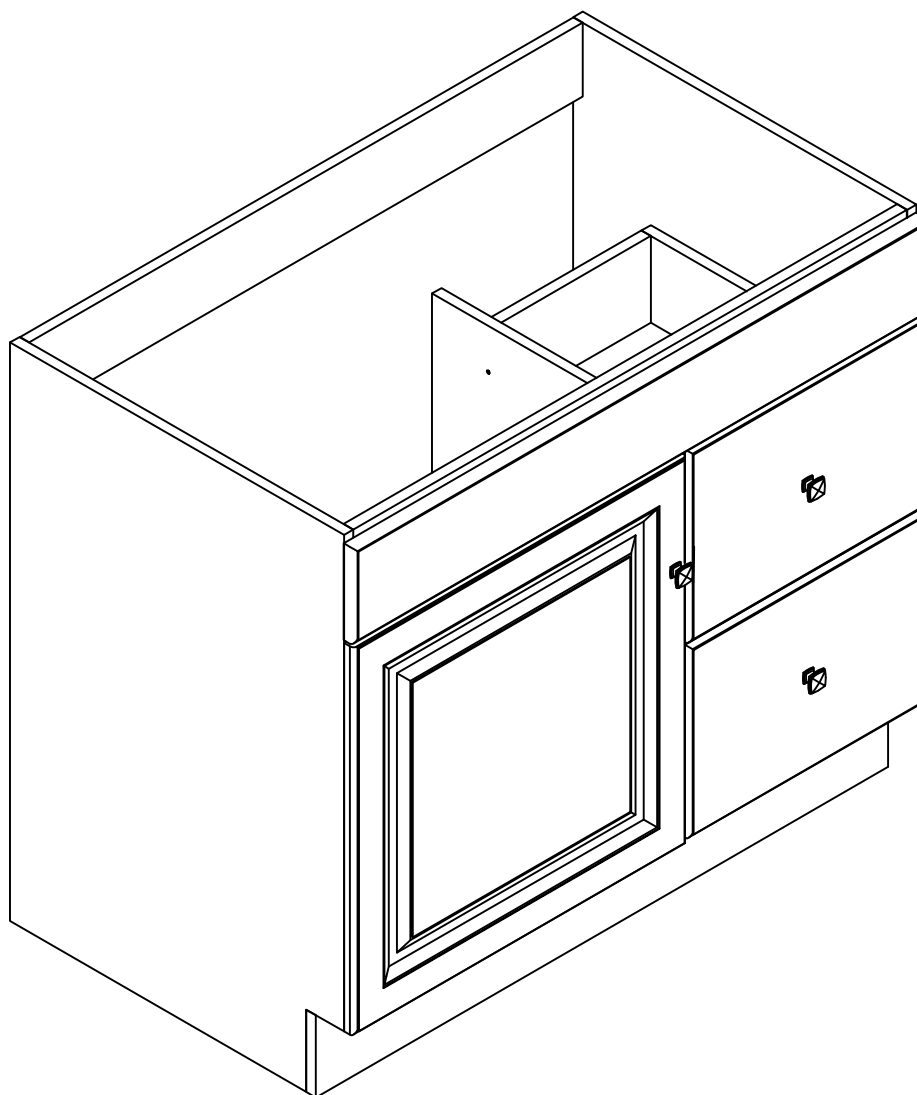
n. KNOB BOLT 3PCS



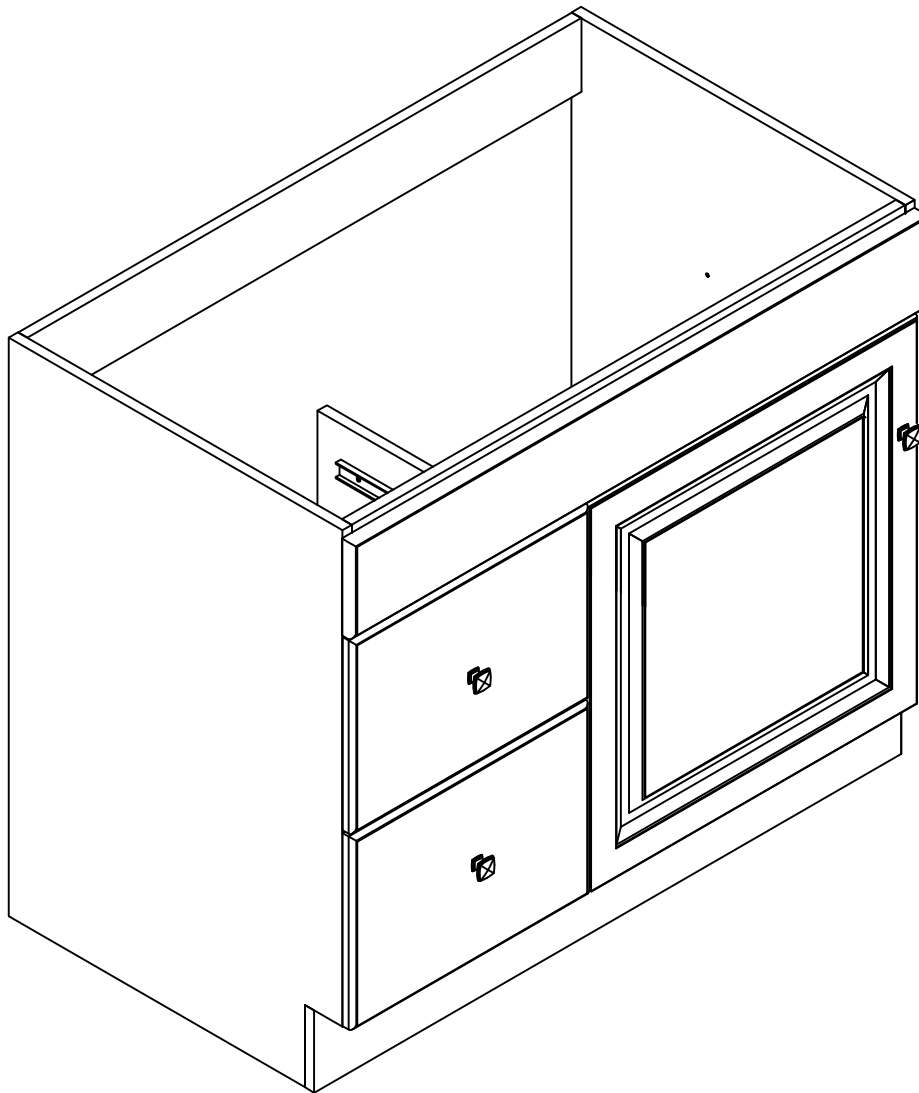
o. WRENCH 1PC



p. GLUE 1PC

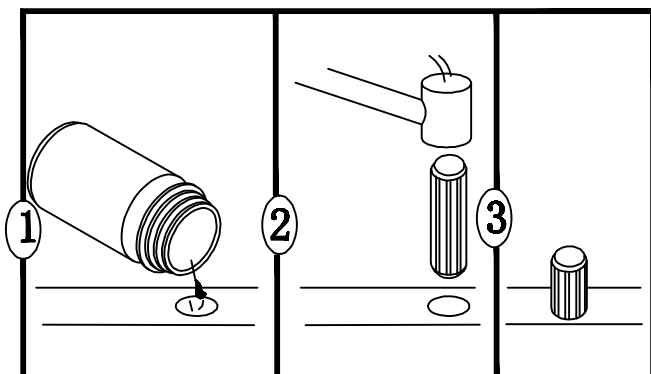
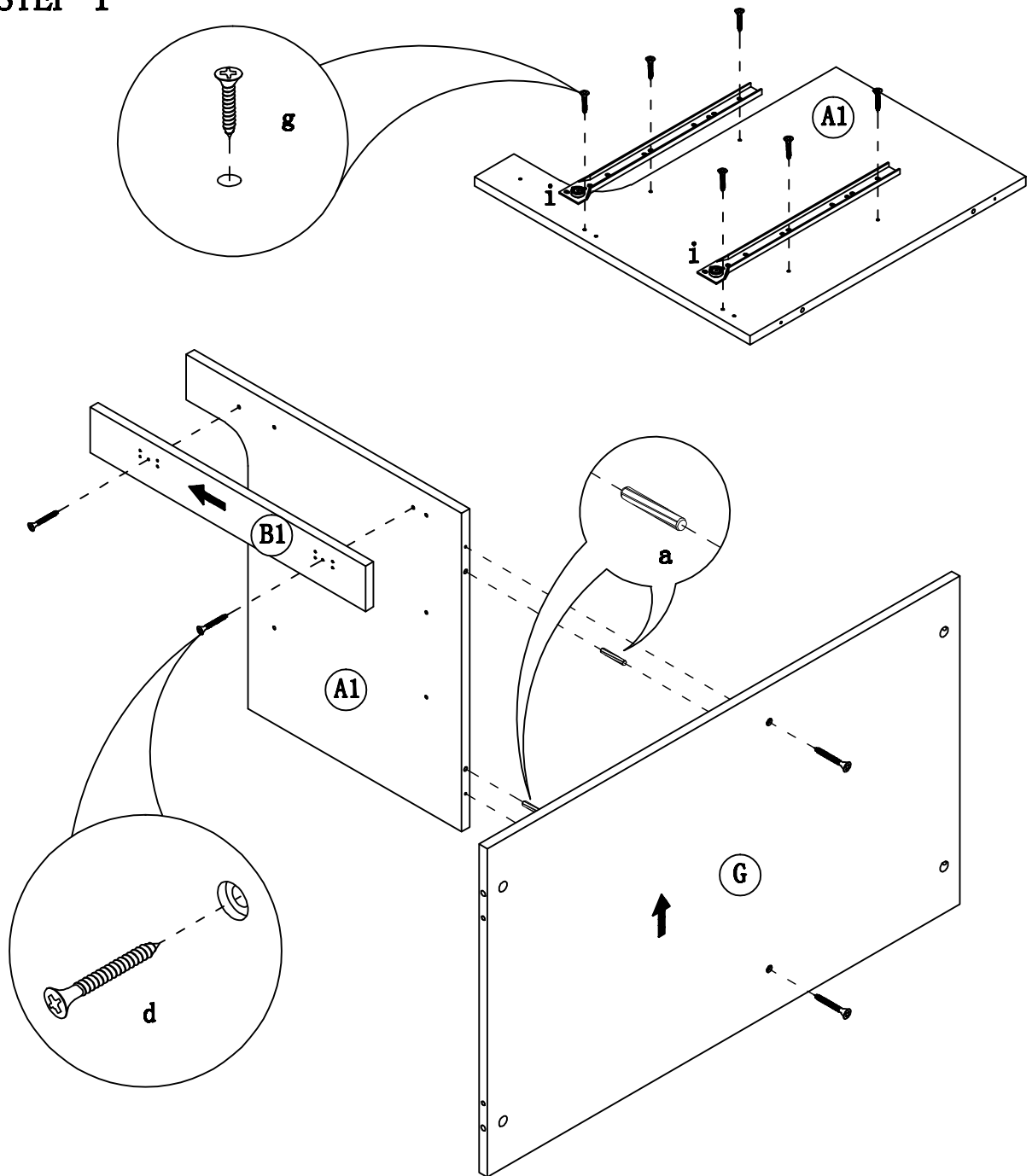


**PLEASE FOLLOW STEP1~STEP 10 IF YOU  
WOULD LIKE THE DOOR INSTALL ON THE  
LEFT SIDE AND THE DRAWERS INSTALL  
ON THE RIGHT SIDE**

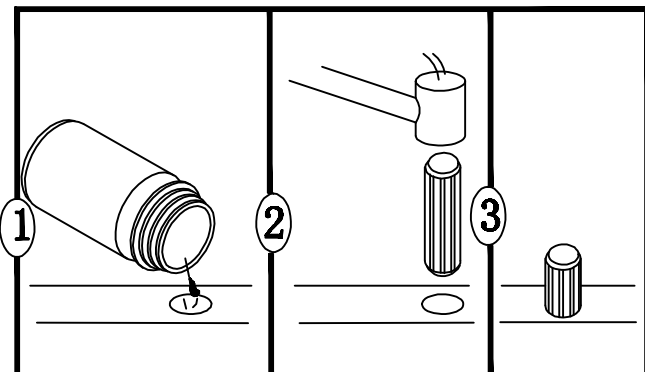
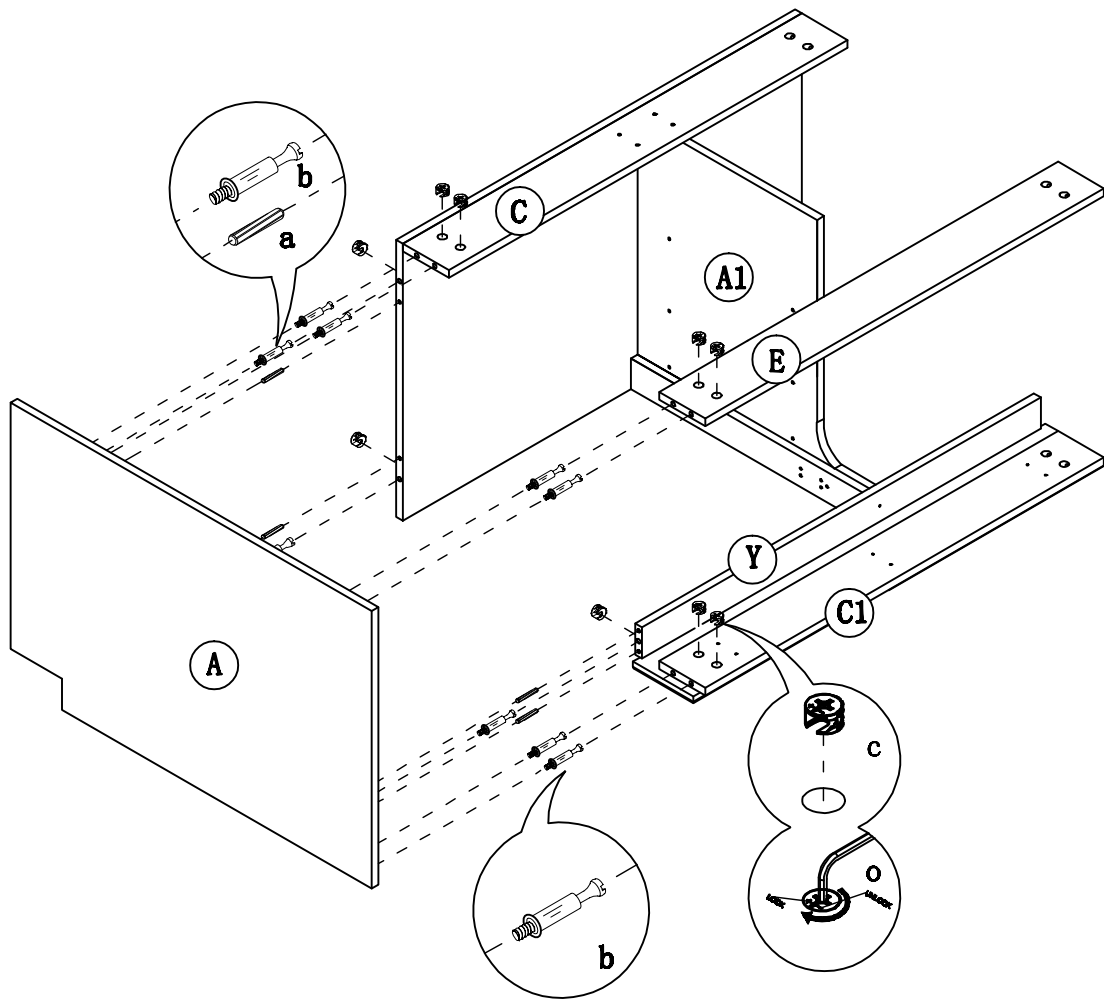


**PLEASE FOLLOW STEP11~STEP 20 IF YOU  
WOULD LIKE THE DOOR INSTALL ON THE  
RIGHT SIDE AND THE DRAWERS INSTALL  
ON THE LEFT SIDE**

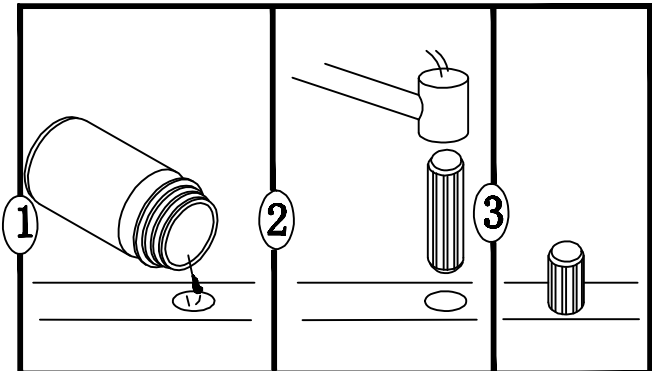
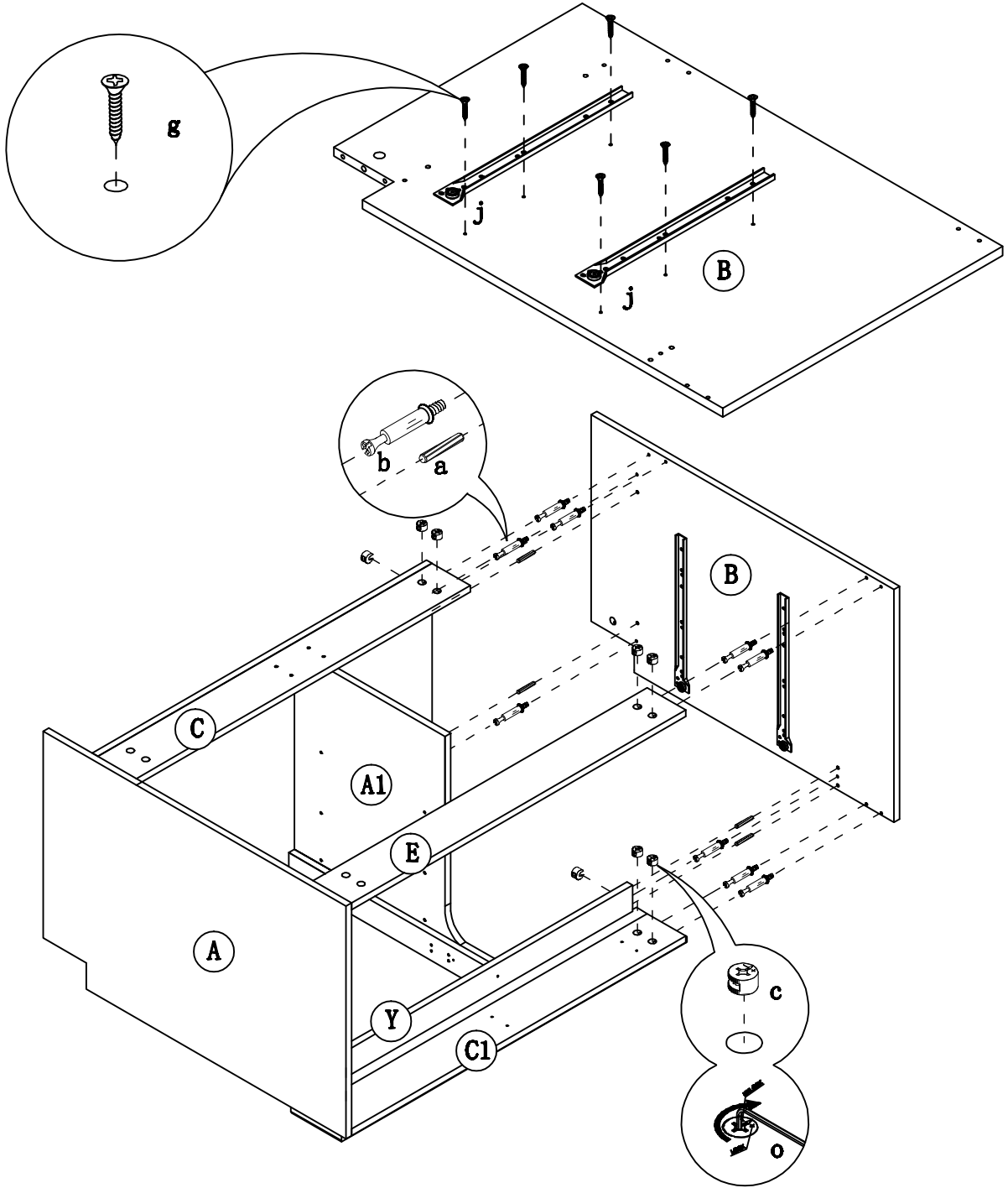
# STEP 1



# STEP 2

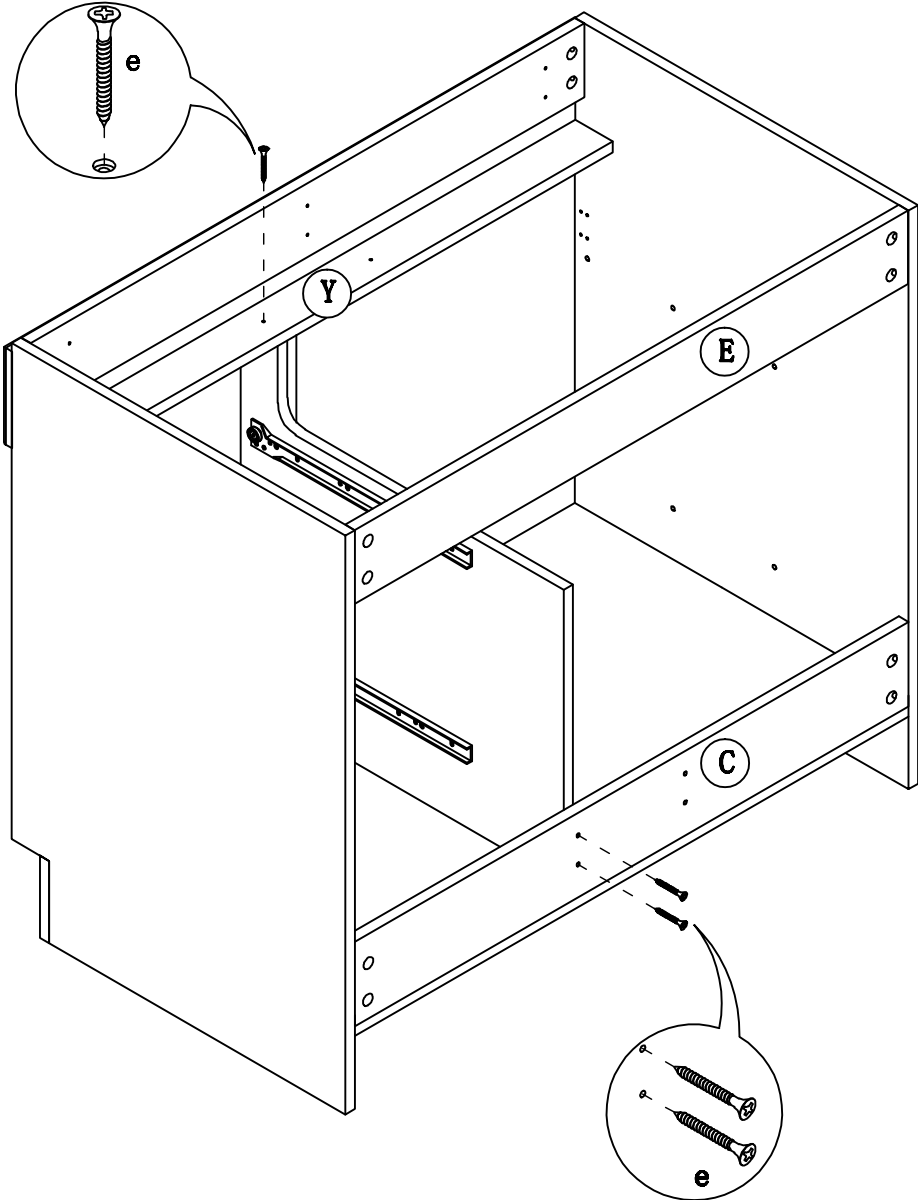


# STEP 3

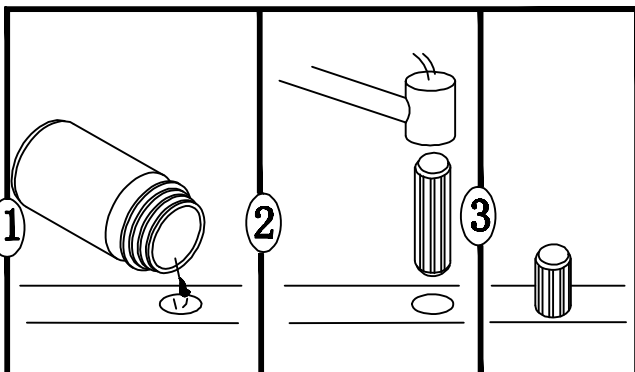
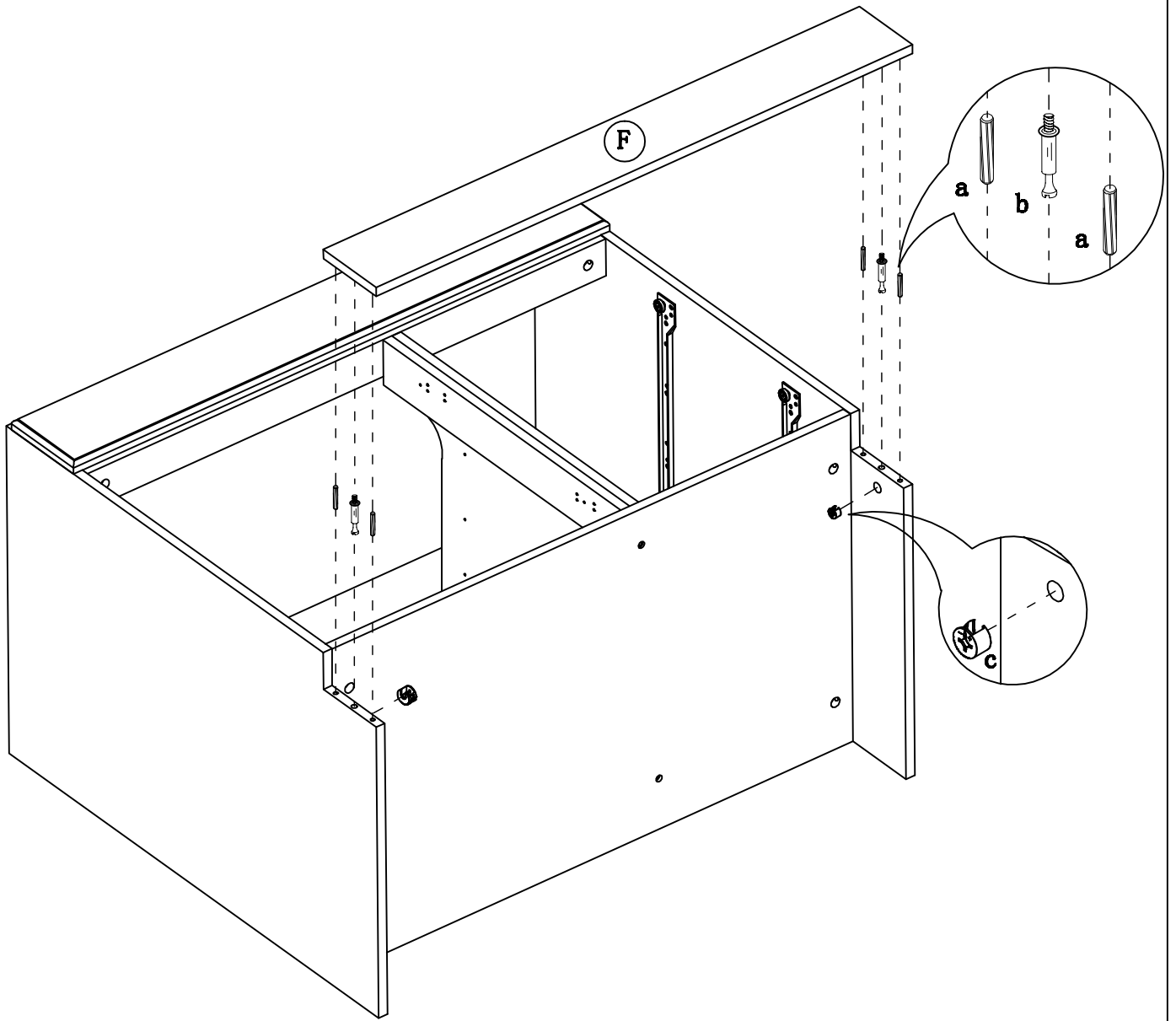




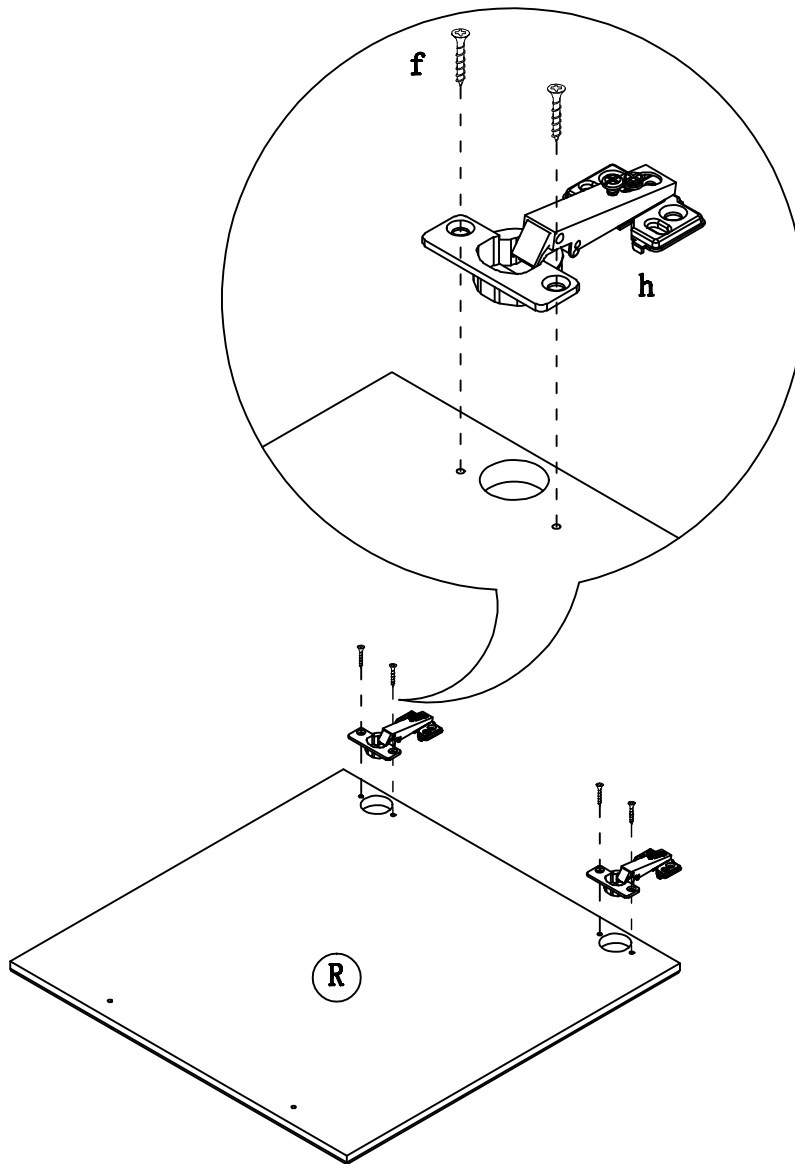
# STEP 4



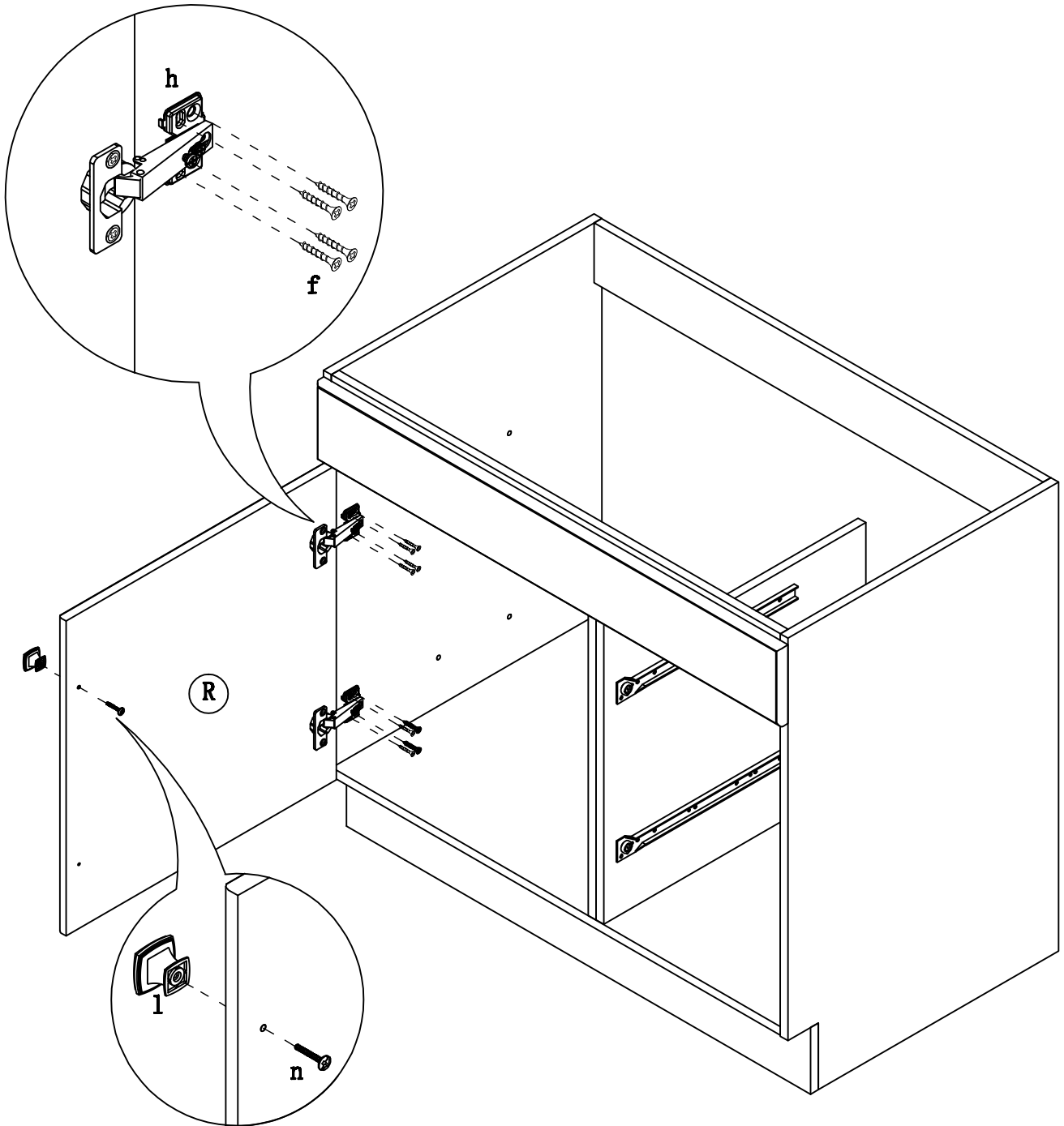
# STEP 5



# STEP 6

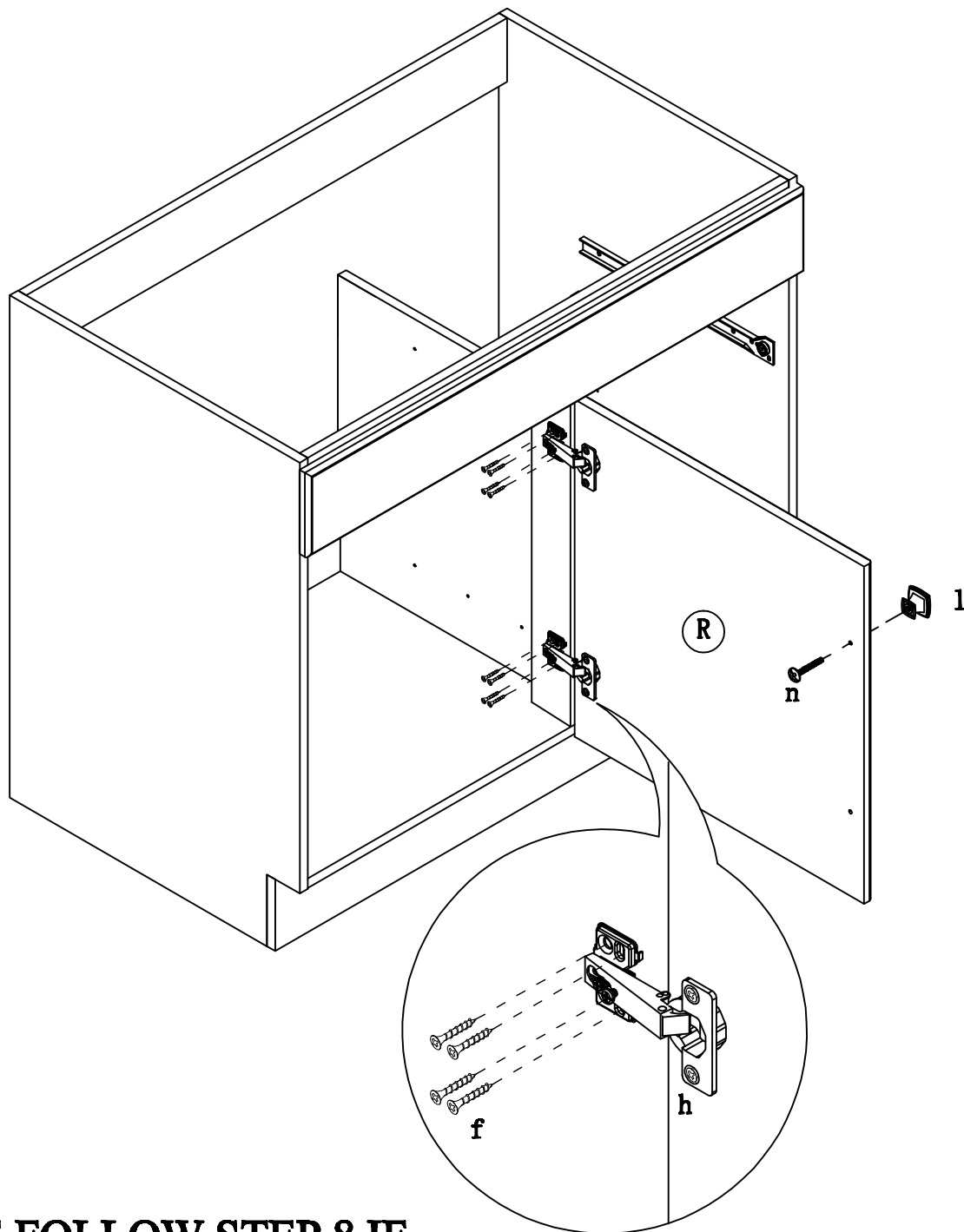


# STEP 7



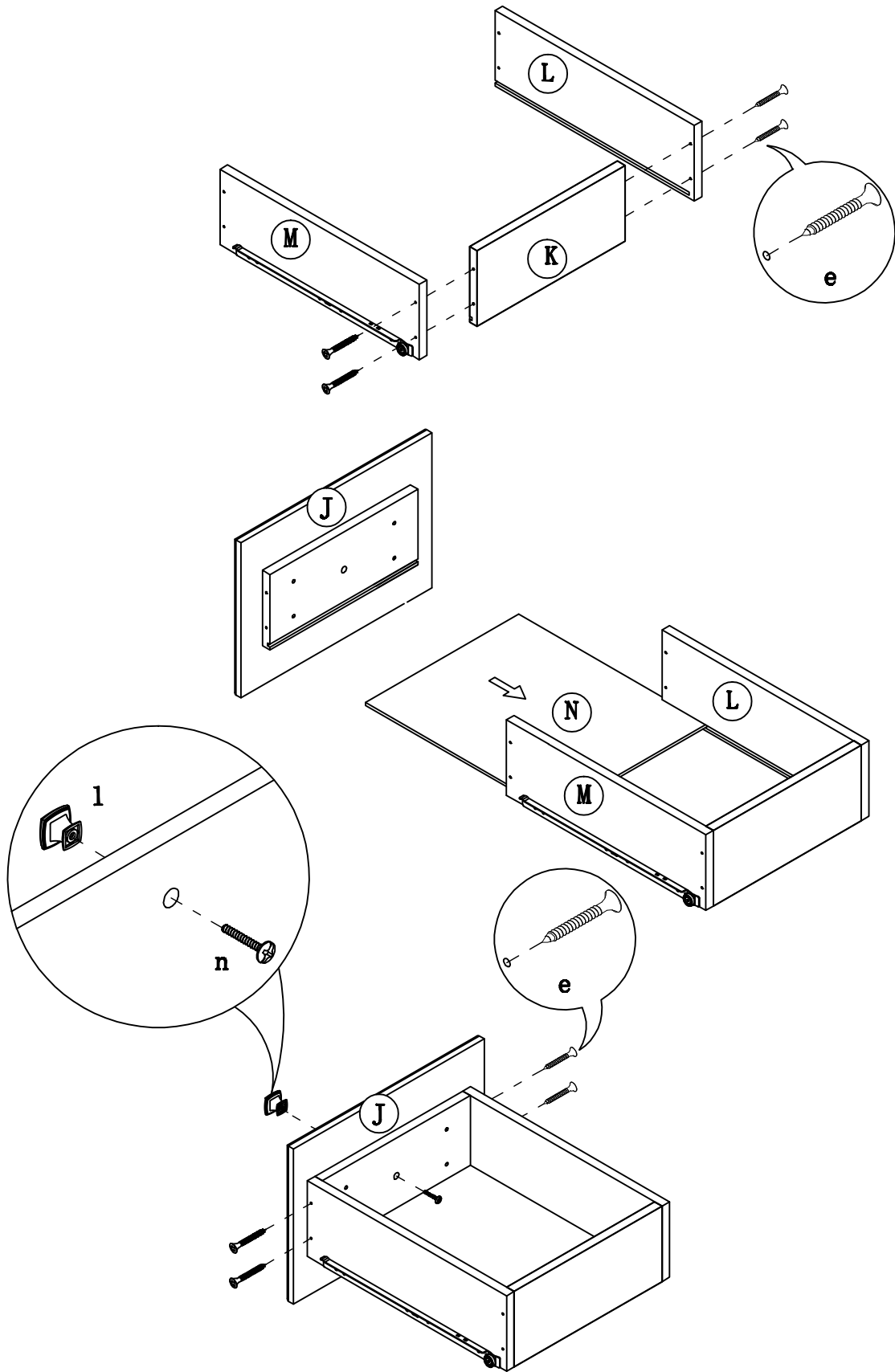
**PLEASE FOLLOW STEP 7 IF  
YOU WOULD LIKE THE  
DOOR OPEN FROM THE  
LEFT**

# STEP 8

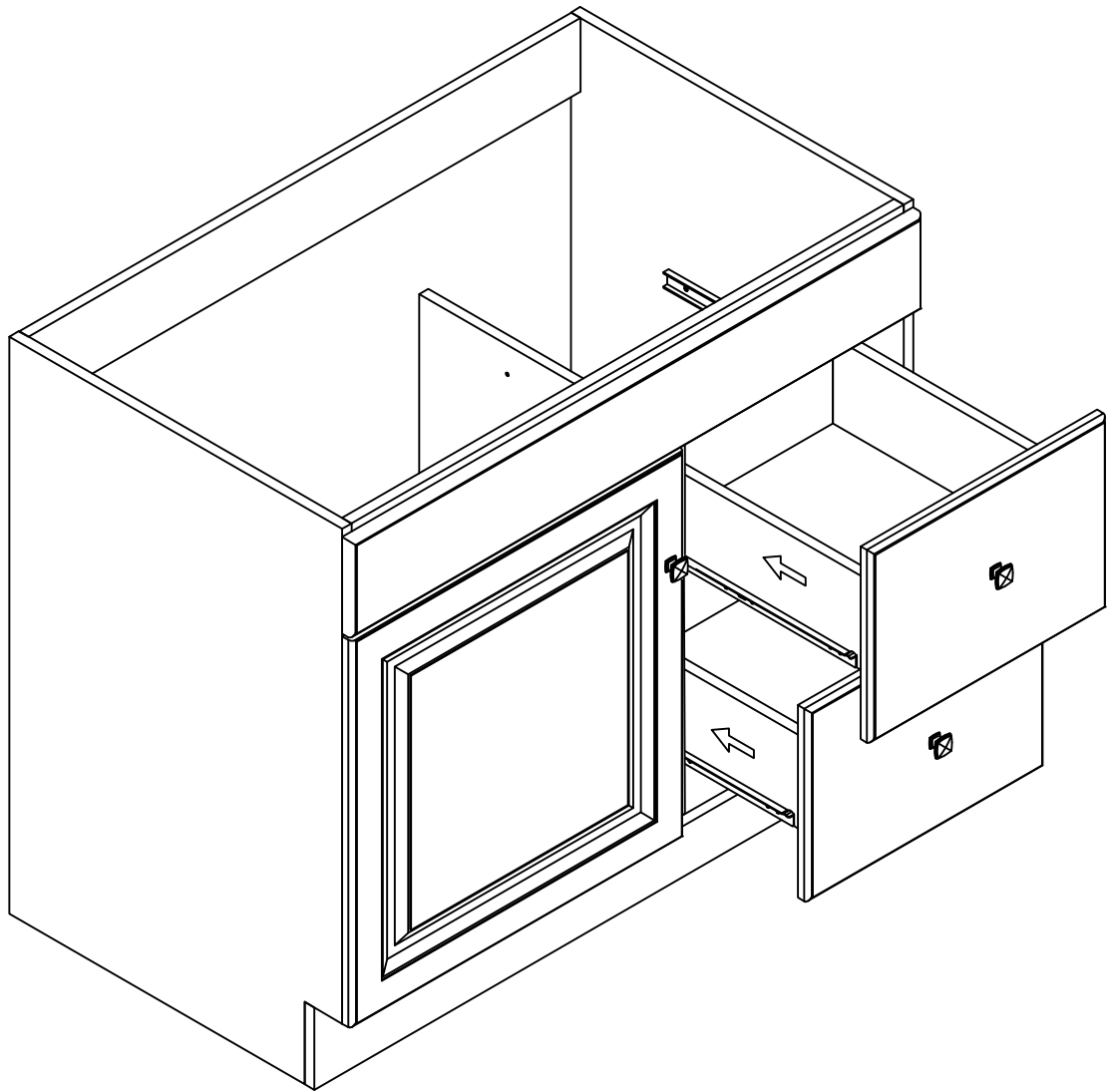


**PLEASE FOLLOW STEP 8 IF  
YOU WOULD LIKE THE  
DOOR OPEN FROM THE  
RIGHT**

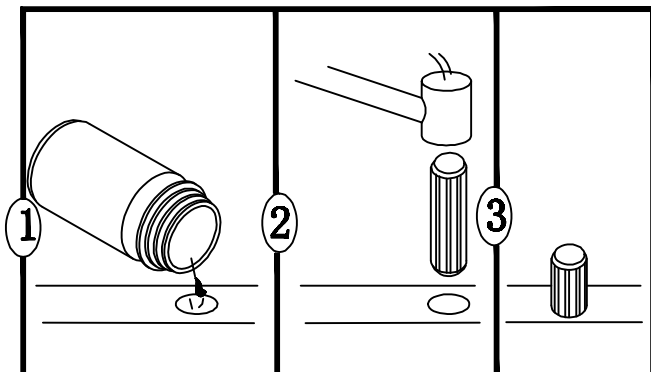
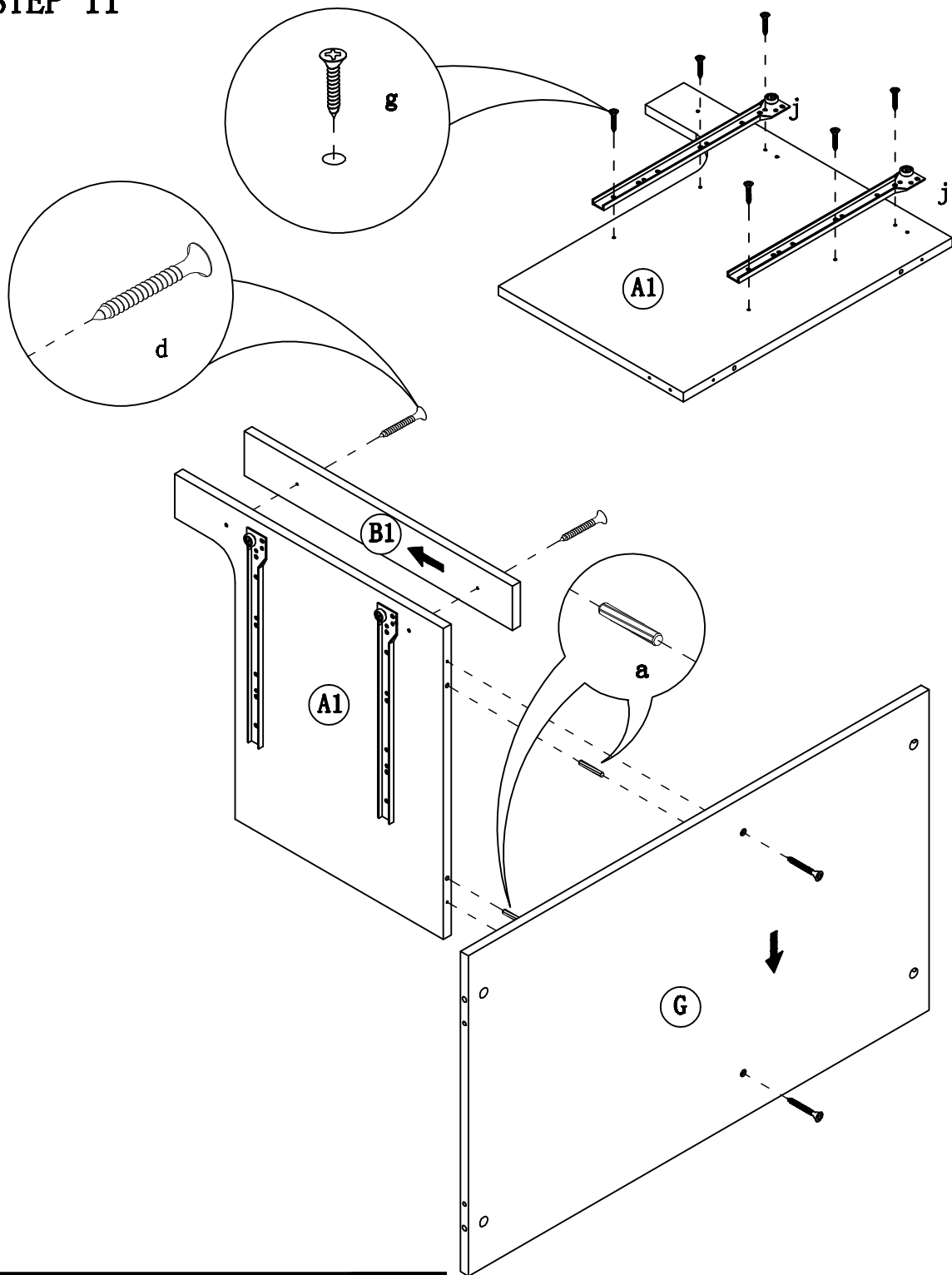
# STEP 9



# STEP 10

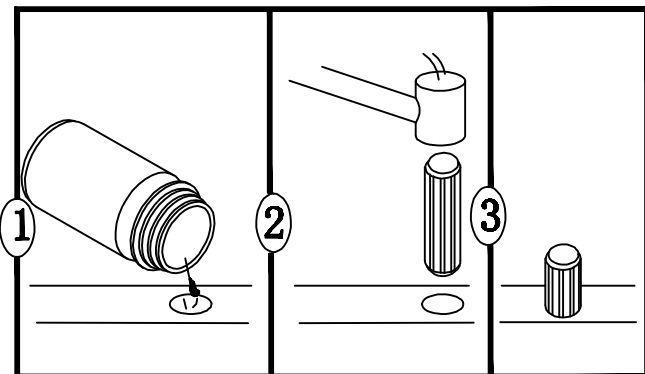
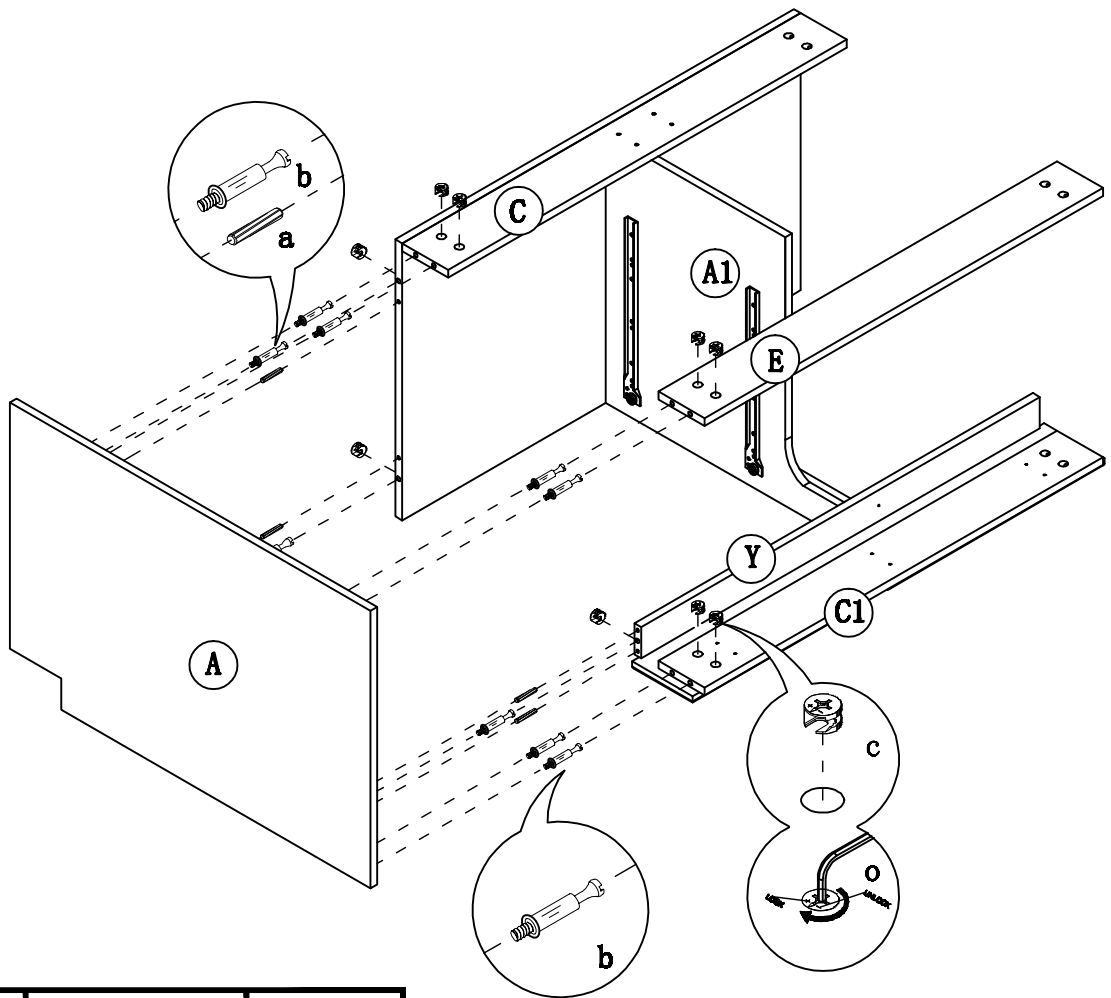
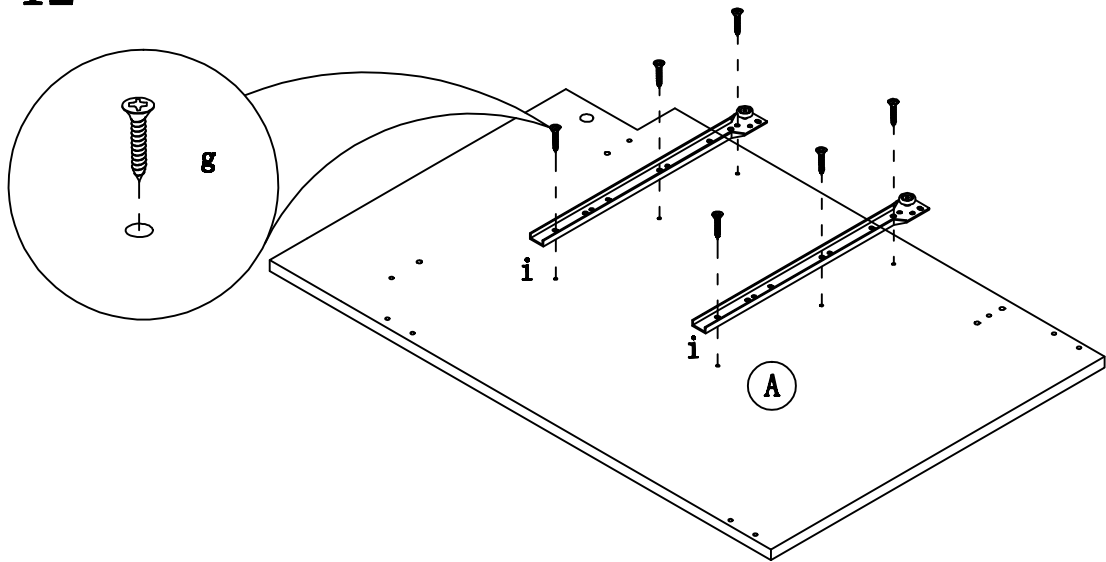


# STEP 11

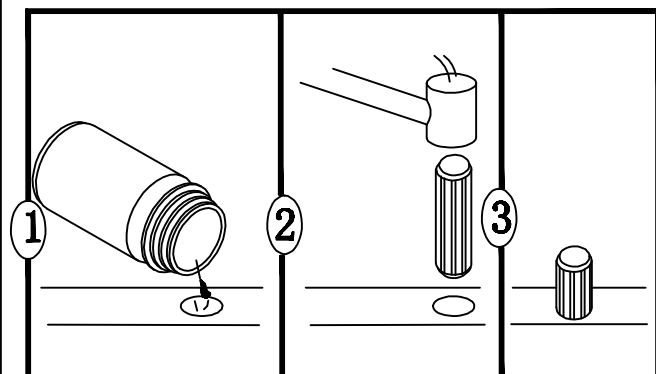
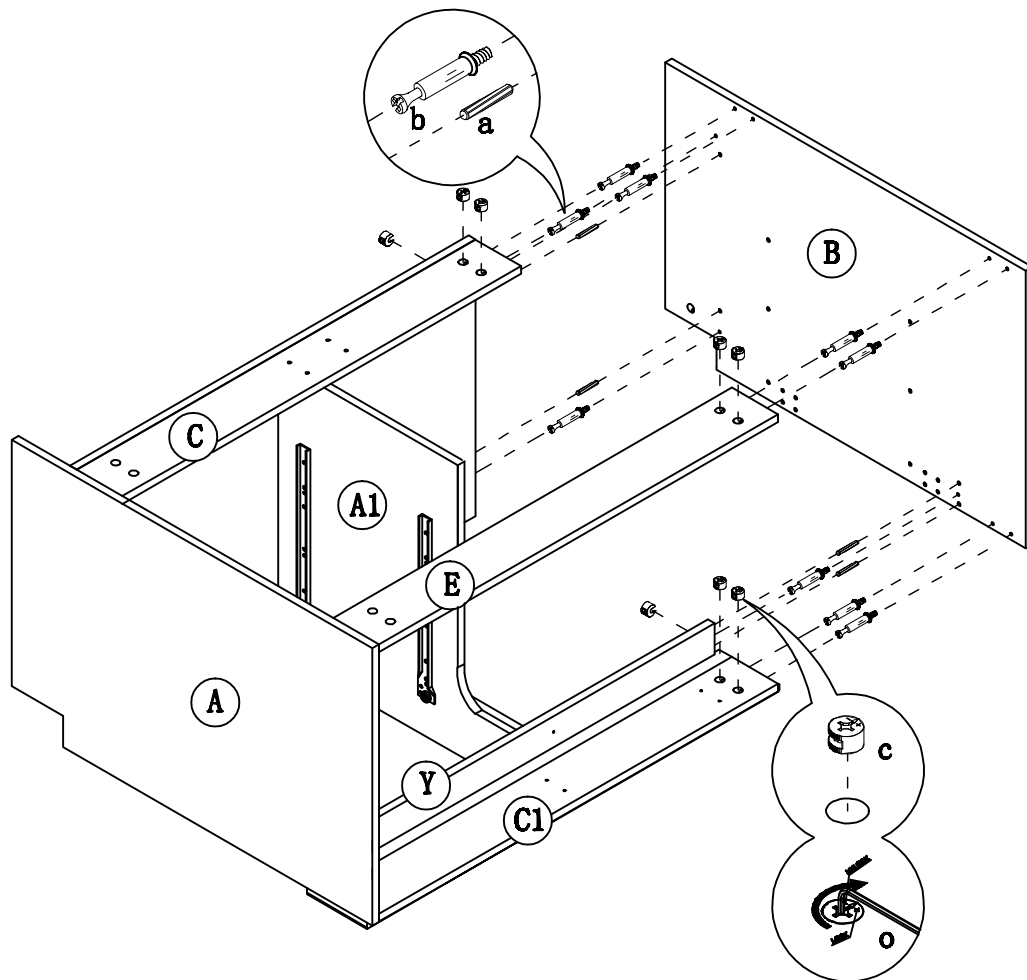




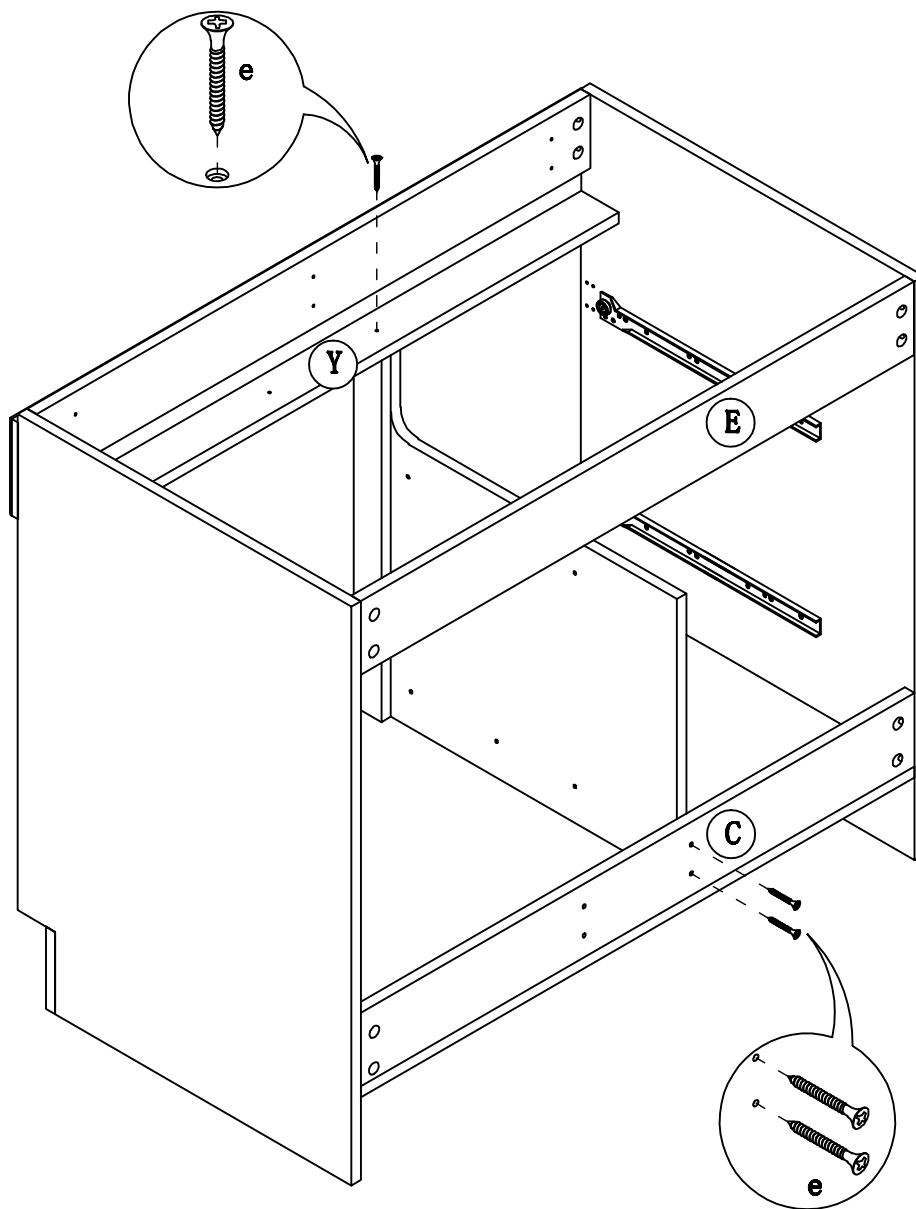
# STEP 12



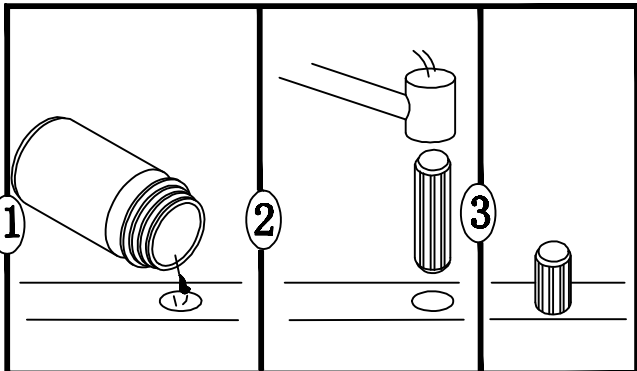
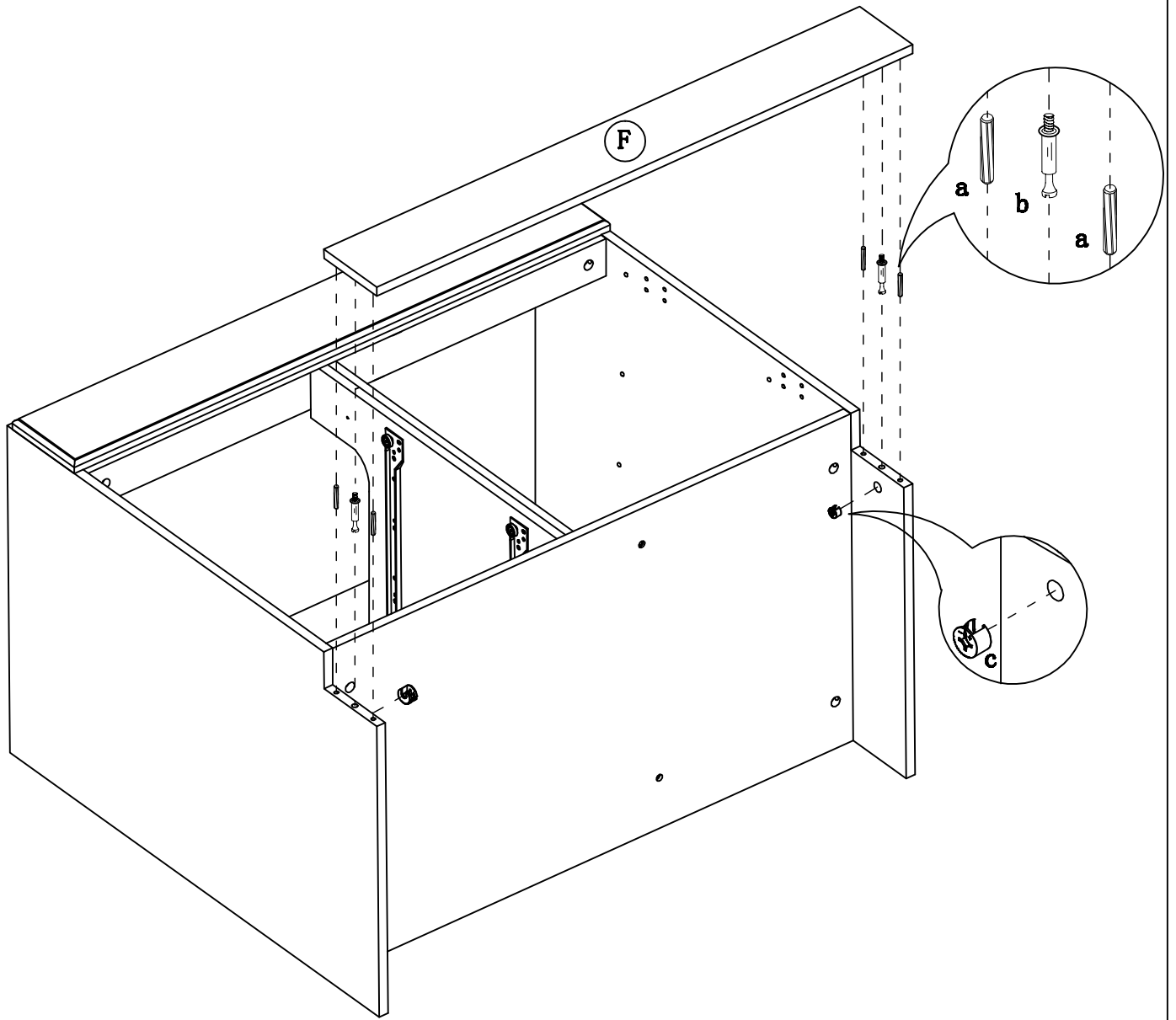
# STEP 13



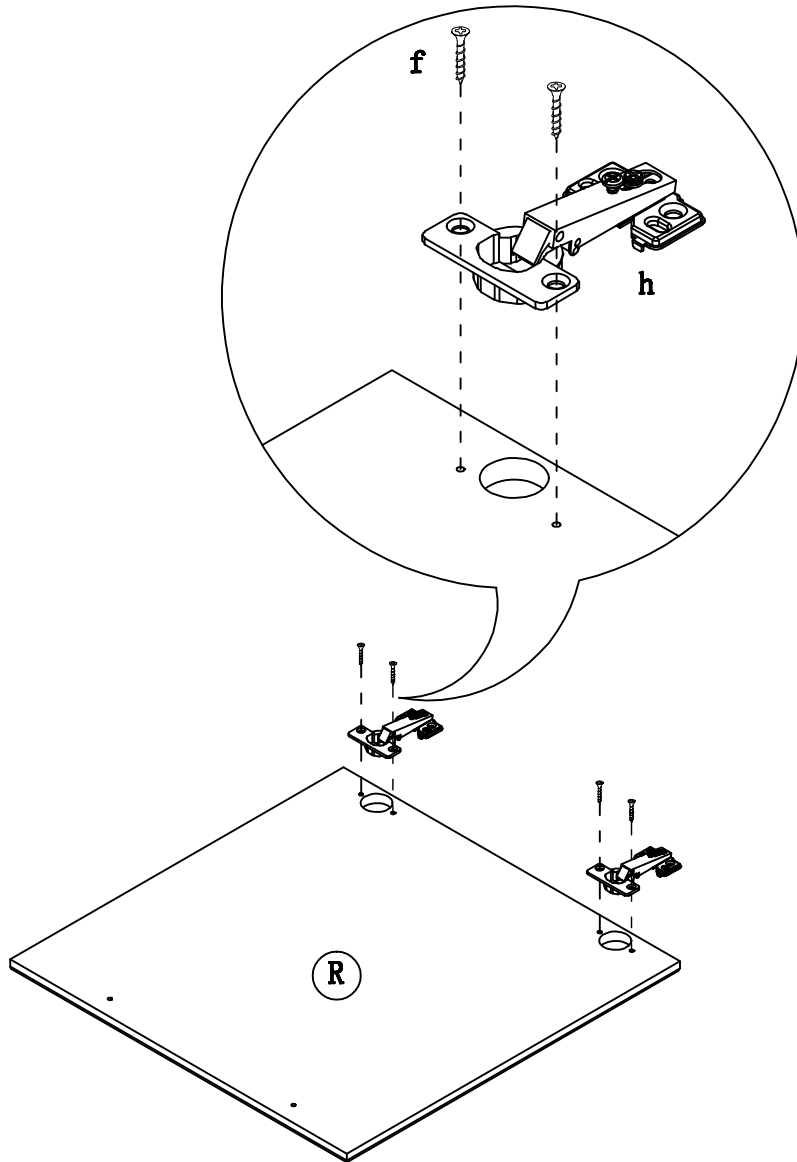
# STEP 14



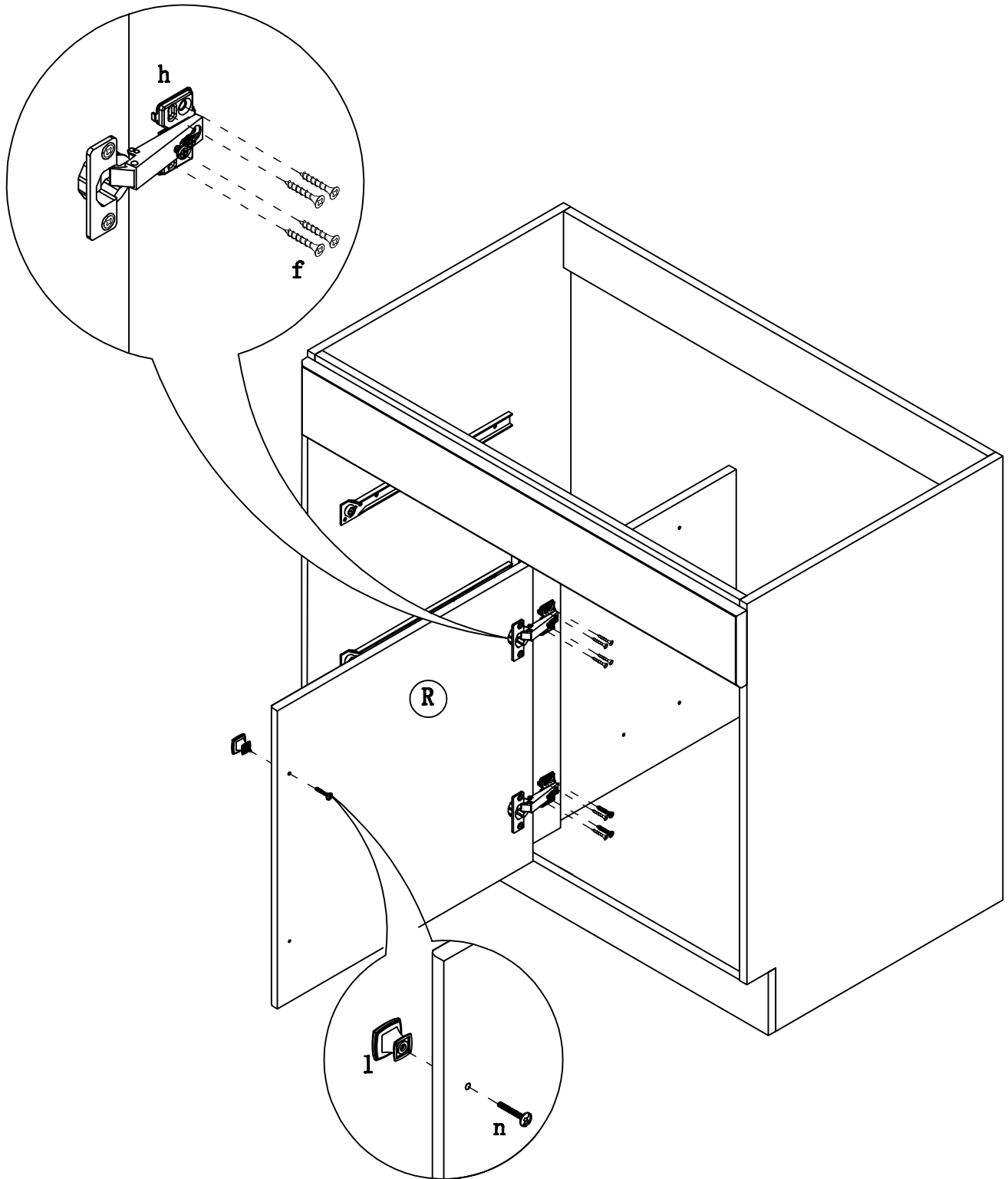
# STEP 15



# STEP 16

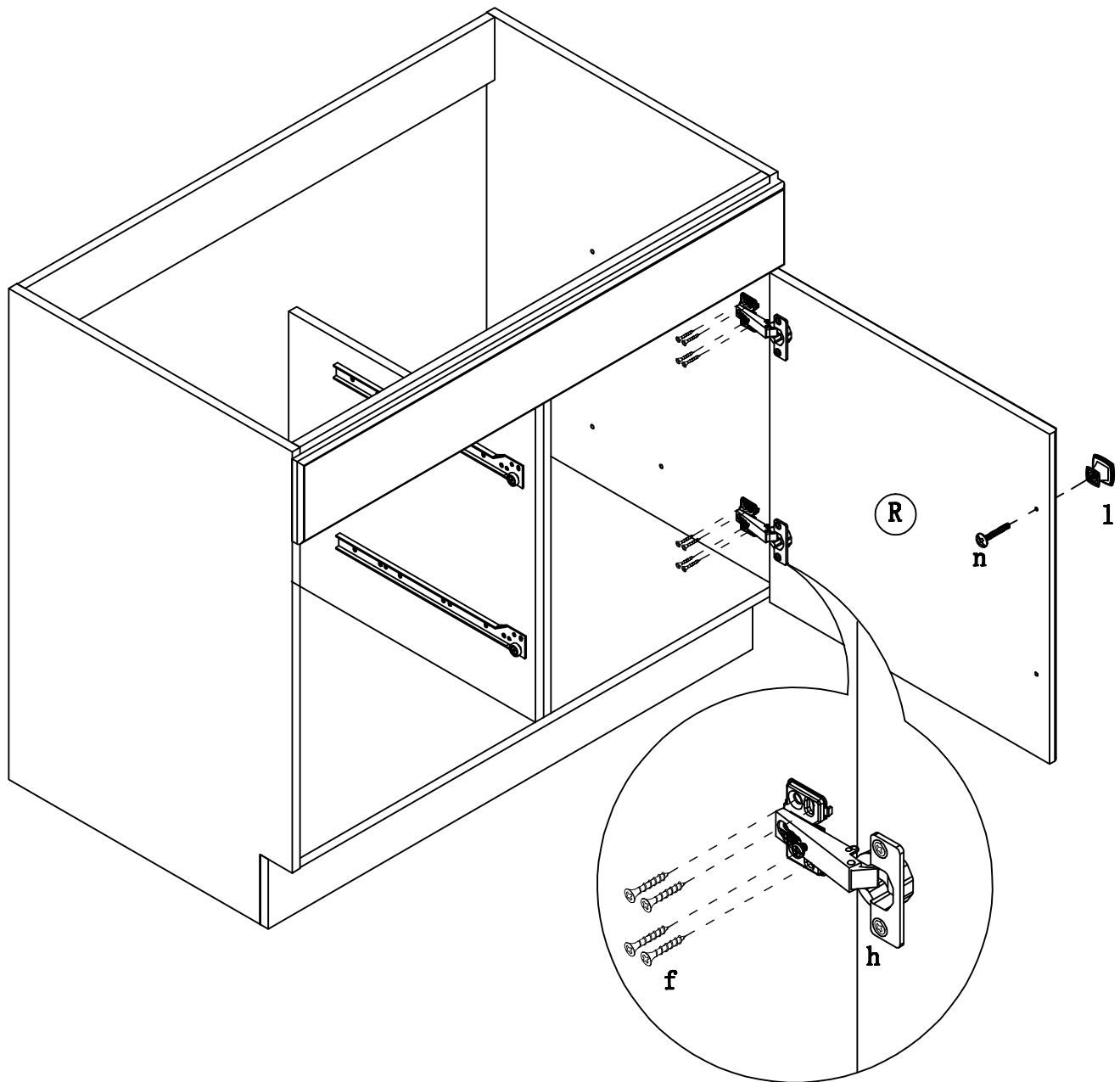


# STEP 17



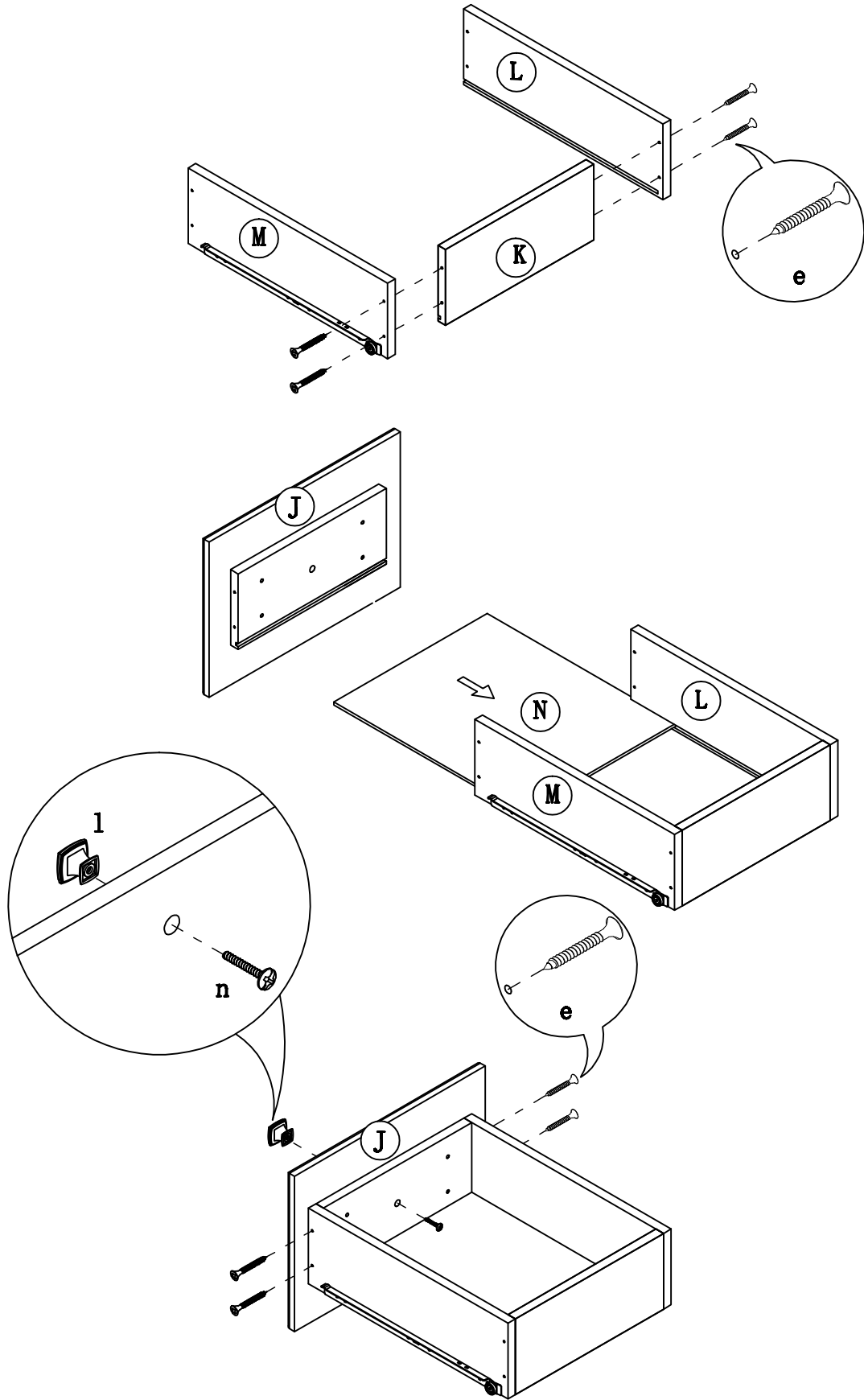
**PLEASE FOLLOW STEP 17 IF  
YOU WOULD LIKE THE  
DOOR OPEN FROM THE  
LEFT**

# STEP 18



**PLEASE FOLLOW STEP 18 IF  
YOU WOULD LIKE THE  
DOOR OPEN FROM THE  
RIGHT**

# STEP 19





# STEP 20

