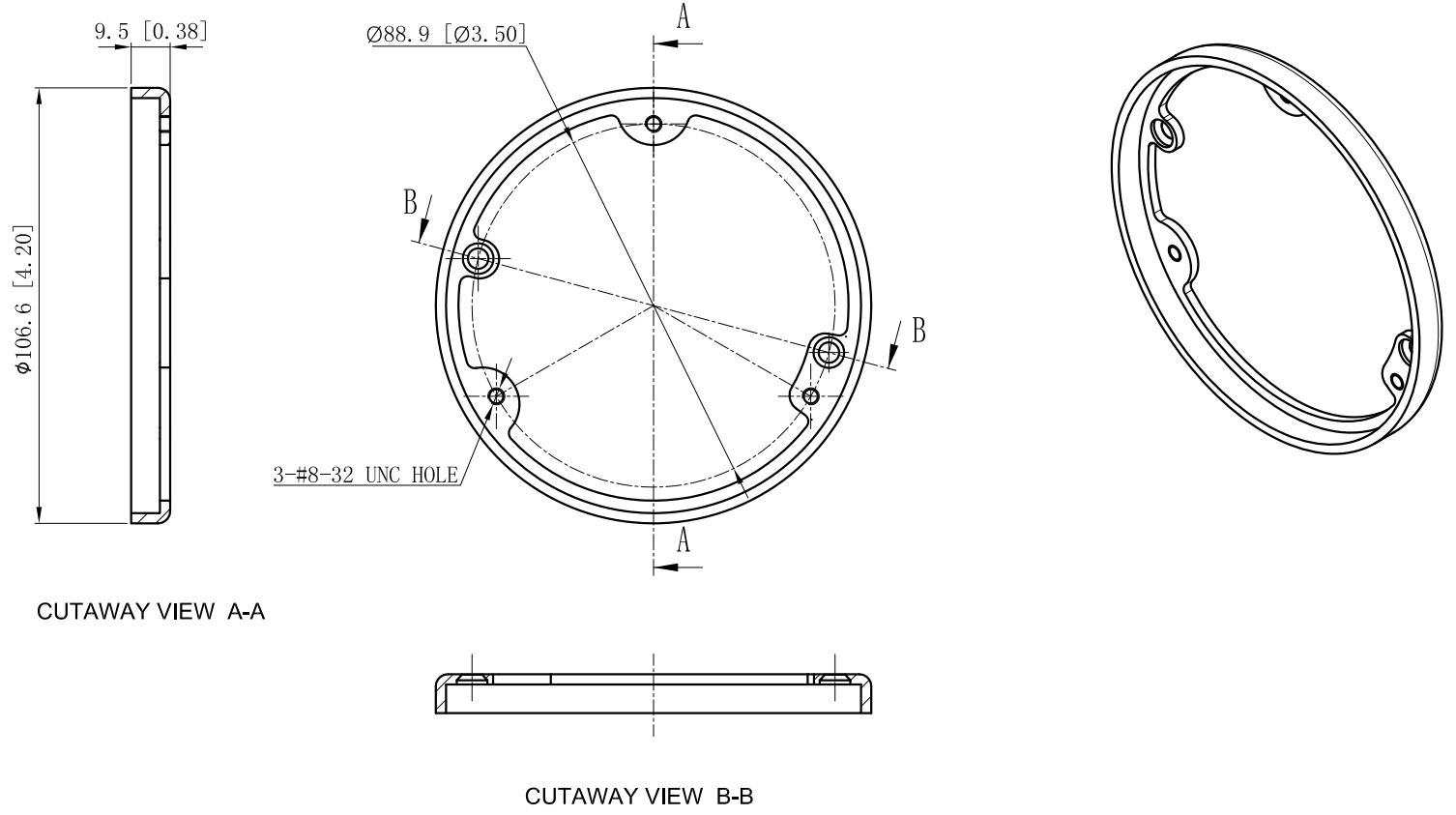


SIDES	BOTTOM
Material:Steel- Nickel-plated Brass	



This data sheet is for reference only.GARVIN INDUSTRIES reserves the right to make changes to the design without prior notice.

DESCRIPTION
TRADE REFERENCE TERMS

STANDARD PACKING	<h1 style="text-align: center;">GARVIN INDUSTRIES</h1>		
40 PCS			
	TITLE	Metal Carpet Flange	
	SIZE	DWG NO.	REV
	A4	FBF-SS	
	DATA SHEET		