

INSTRUCTION SHEET

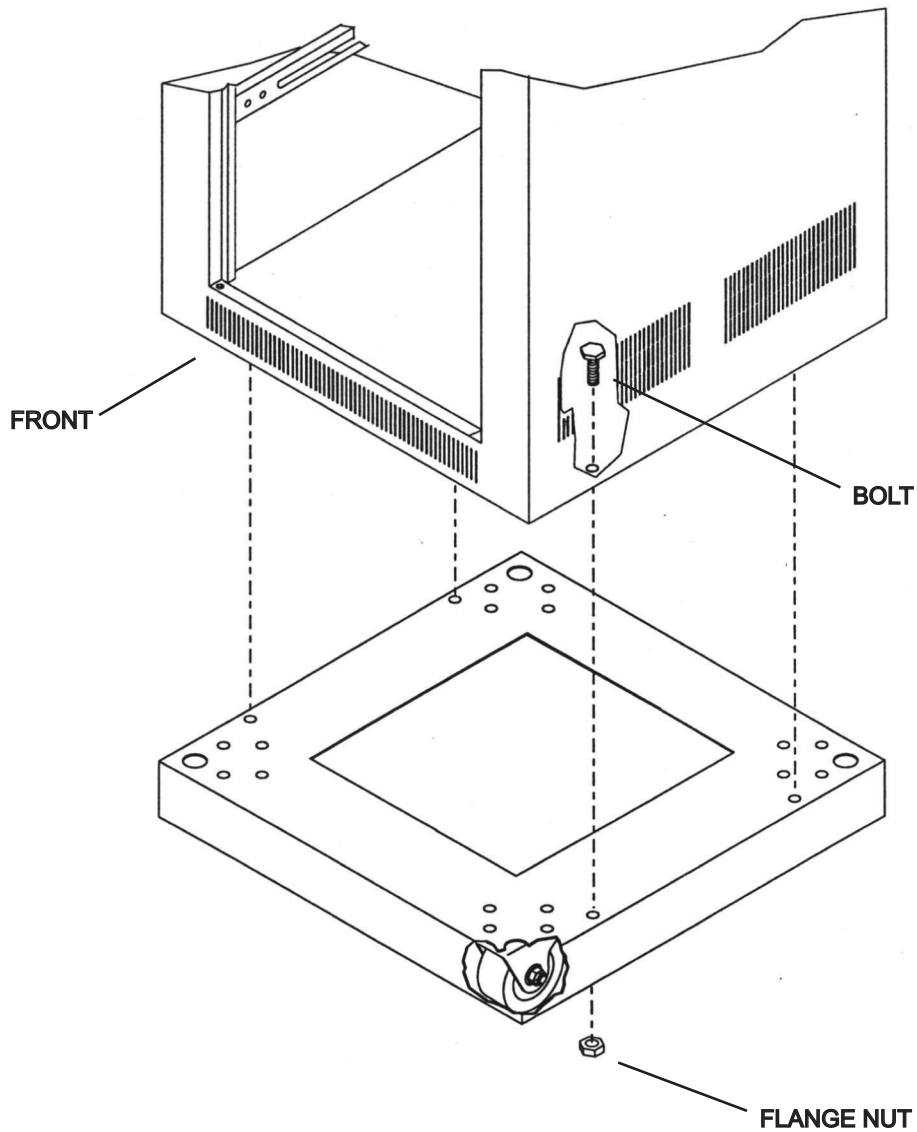
CBS-ERK-XX

INSTALLATION

CASTER BASE

- 1) Position Caster Base as shown.
- 2) Install Bolts & Flange Nuts, then tighten securely.

NOTE: Adds 3.785" to overall height.



WARNING: Commercial grade casters (part # CBS-ERK-XX) are not recommended for use on decorative floors. Fine-Floor casters are available (part # CBS-ERK-XXR).



MA
Middle Atlantic Products

I-0201

Rev G