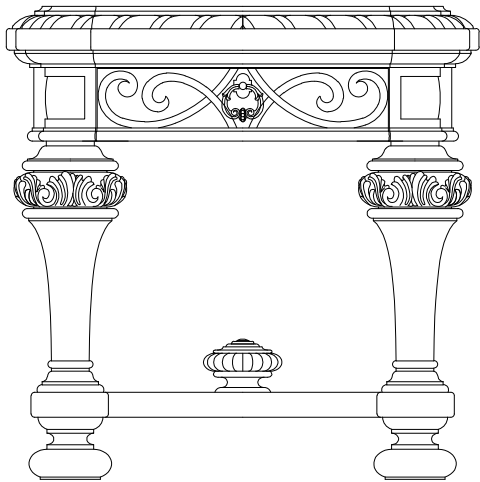
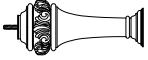
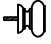
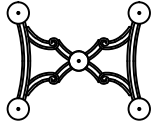



# ASSEMBLY INSTRUCTIONS

209303-2304 END TABLE

Thank you for purchasing this quality product. Be sure to check all packing material carefully for small parts, which may have come loose inside the carton during shipment. Identify and count all parts and compare with the Parts List below.



NO	Parts List		Q'ty
A		Leg	4
B		Bun feet	4
C		Stretcher	1
D		Finial	1

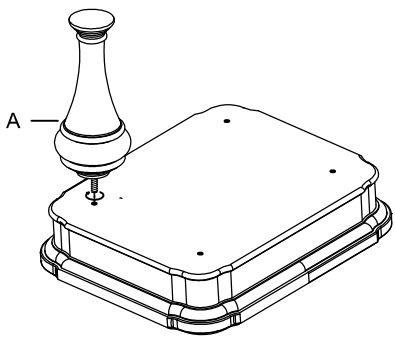


Diagram 1

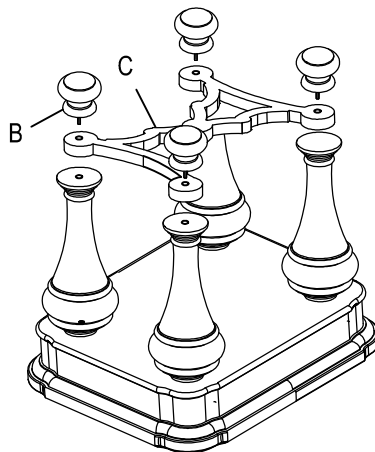


Diagram 2

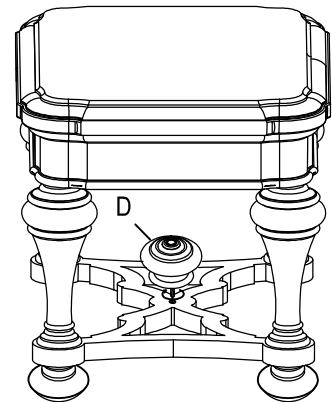


Diagram 3

**It is suggested that two people work together for this assembly process.**

Cleaning Instructions: Clean the surface with a soft, damp cloth.