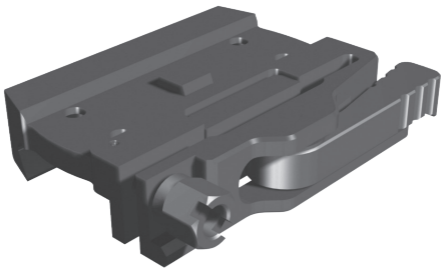


# Aimpoint®

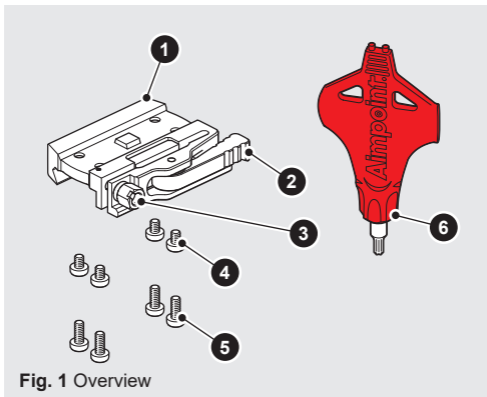
## Micro™ LRP Mount User manual



# 1 PRESENTATION

The Aimpoint® Micro™ LRP mount is a quick attach/detach mount which is designed to be used with the Aimpoint Micro and CompM5 series sights. The Micro LRP mount can be mounted to any Picatinny rail. No rezeroing is necessary if the sight is detached from the Picatinny rail and then reattached in the same groove.

## 1.1 Overview



**Fig. 1** Overview

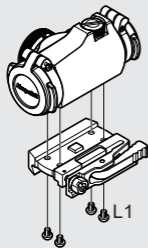
- |                   |                             |
|-------------------|-----------------------------|
| 1. Base           | 4. Screws L1                |
| 2. Lever          | 5. Screws L2 (CompM5b only) |
| 3. Adjustment nut | 6. Aimpoint tool            |

## 2 OPERATION

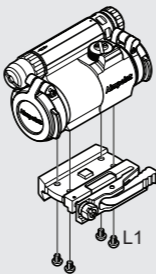
**WARNING:** Ensure the weapon is not loaded and the safety selector is in the "safe" position before attempting to install, remove or perform maintenance.

Start by installing the Micro™ LRP mount to an Micro or CompM5 sight. For installation of the Micro LRP mount to an Aimpoint® sight, follow instructions in the user manual supplied with the sight.

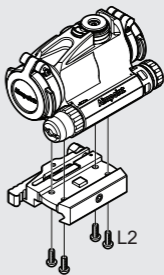
Micro™ series



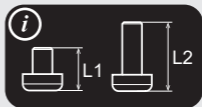
CompM5 or  
CompM5h



CompM5b

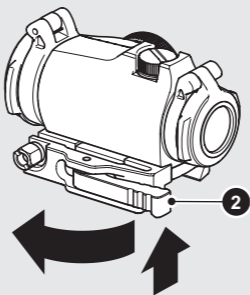


**Fig. 2** Screw L2 is for  
CompM5b only.



The Micro LRP mount comes with two lengths of screws. The shorter screws L1 should be used for Micro series 1 or 2 sights and for CompM5 or CompM5s sights. The longer screws L2 should only be used for CompM5b sights.

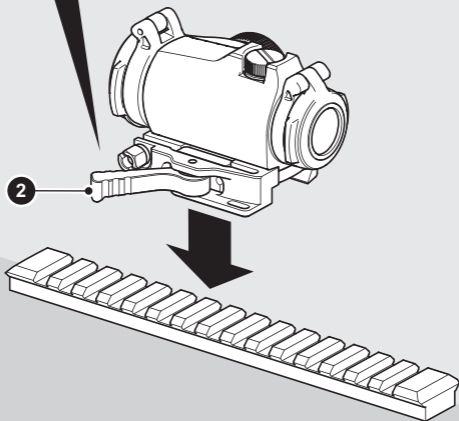
Follow instructions in **Fig. 3 - 6** for mounting of the Micro LRP mount on to a Picatinny rail, shown here with an Micro T-2 sight.



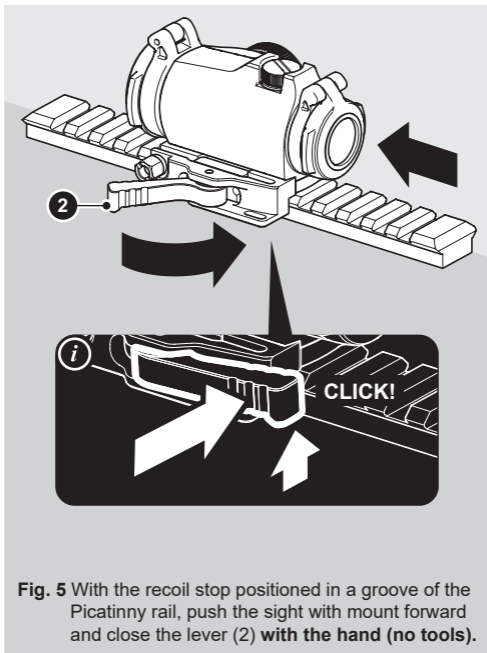
**Fig. 3** Lift the lever (2) up to release it and set to "open" position.

**CAUTION:** Ensure the groove to be used on the Picatinny rail is clean and free of dirt.

**i** The lever (2) is open

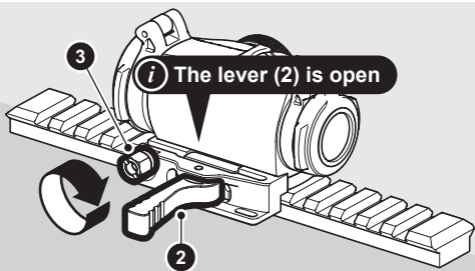


**Fig. 4** Position the recoil stop in the groove to be used on the Picatinny rail and install the mount.



**Fig. 5** With the recoil stop positioned in a groove of the Picatinny rail, push the sight with mount forward and close the lever (2) **with the hand (no tools)**.

**CAUTION:** The lever (2) must never be forced to close by the use of pliers or any other tool.



**Fig. 6** If the lever (2) cannot be closed or the mount does not clamp with sufficient force: **set the lever (2) to “open”** and tighten or loosen the adjustment nut (3) before attempting to close the lever (2).

**CAUTION:** If the lever is closed, the adjustment nut must never be tightened! This can cause the mount to break.



**Aimpoint AB**

Jägershillgatan 15  
SE- 213 75 Malmö, Sweden  
Phone: +46 (0)40 671 50 20  
Fax: +46 (0)40 21 92 38  
e-mail: [info@aimpoint.se](mailto:info@aimpoint.se)

**Aimpoint Inc.**

7309 Gateway Court  
Manassas, VA 20109, USA  
Phone: +1 703-263-9795  
Fax: +1 703-263-9463  
e-mail: [info@aimpoint.com](mailto:info@aimpoint.com)

**[WWW.AIMPOINT.COM](http://WWW.AIMPOINT.COM)**

© 2011, 2024 Aimpoint AB. [12820-2]

