

Installation Instructions

LED Bath Bar

Record your model number:
Noter le numéro de modèle:
Anoté su número de modelo: _____

Français, page 8
Español, página 14

KOHLER[®]

Thank You for Choosing KOHLER

Need help? Contact our Customer Care Center.

- USA/Canada: 1-800-4KOHLER (1-800-456-4537) Mexico: 001-800-456-4537
- Service parts: kohler.com/serviceparts
- Care and cleaning: kohler.com/clean
- Patents: kohlercompany.com/patents

Warranty

This product is covered under the **KOHLER® Indoor Lighting Fixtures Limited Warranty**, found at kohler.com/warranty. For a hardcopy of warranty terms, contact the Customer Care Center.

Tools and Materials





Electrical Tape Wire Cutter/Stripper

Plus:

- 4" (102 mm) Octagonal 1-1/2" (38 mm) Min Deep Electrical Outlet Box

Before You Begin

 **DANGER: Risk of electric shock.** To avoid electrical shock, the electricity must be turned OFF at the circuit breaker or fuse box before beginning installation.

 **DANGER: Risk of electric shock.** To avoid electrical shock, the electrical outlet box must be properly grounded.

IMPORTANT! Verify that a 4" (102 mm) octagonal 1-1/2" (38 mm) Min deep electrical outlet box is installed for the LED driver.

Follow all local plumbing, building, and electrical codes.

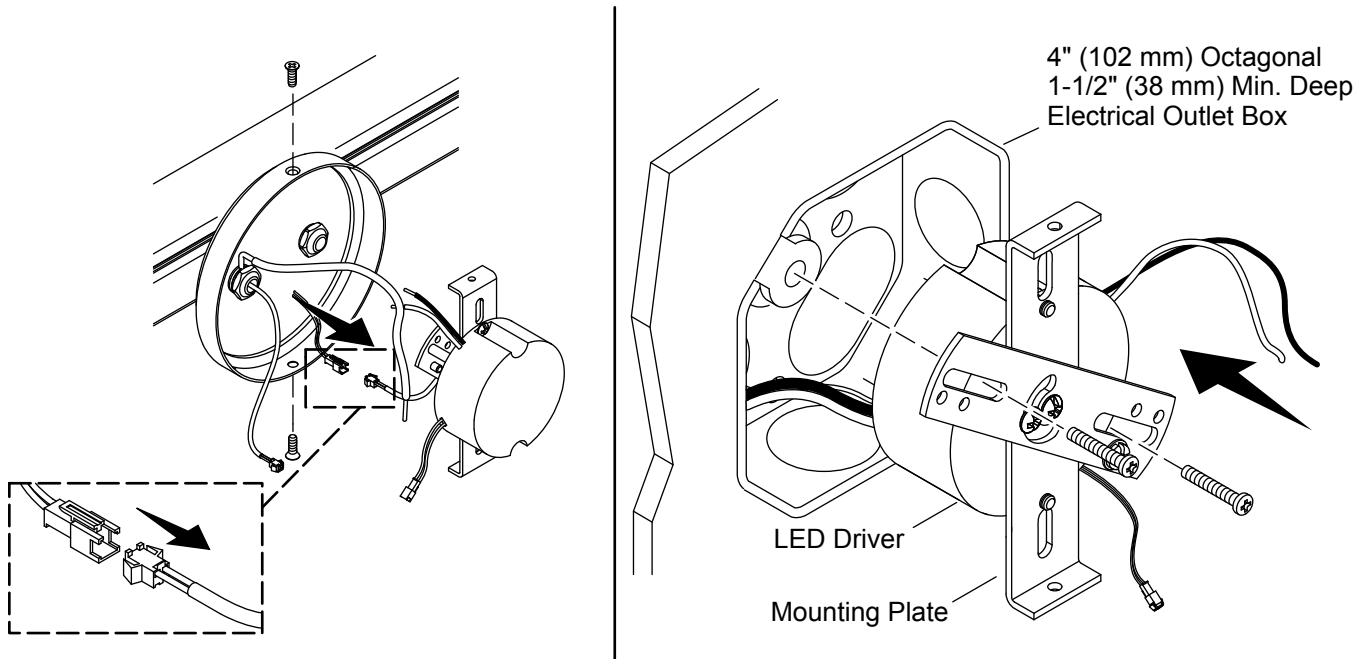
Please read all instructions before you begin.

The fixture should be installed by a qualified electrician.

This fixture is for indoor use only.

Carefully inspect the fixture for damage.

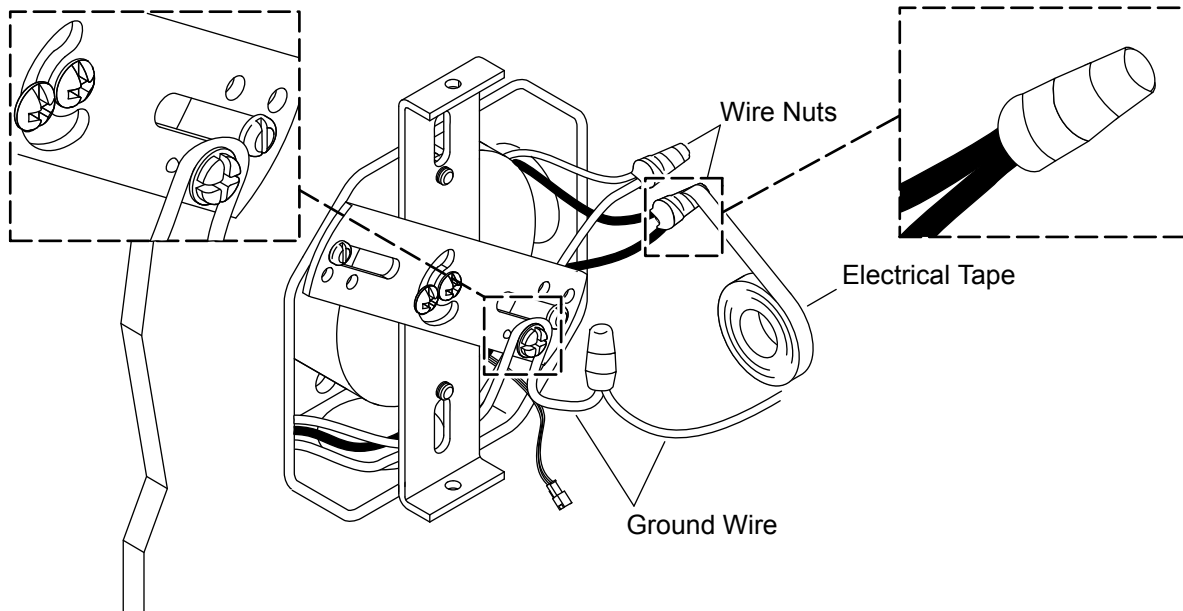
1. Install the Mounting Plate



IMPORTANT! Verify that a 4" (102 mm) octagonal 1-1/2" (38 mm) Min deep electrical outlet box is installed for the LED driver.

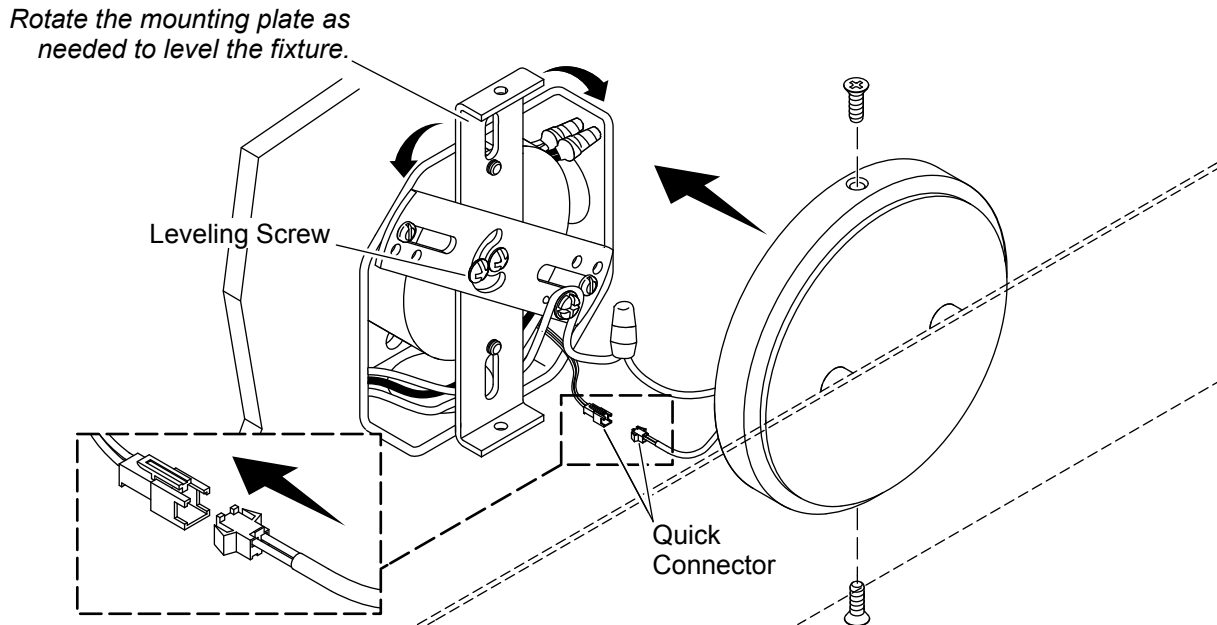
- Remove the two screws securing the LED driver and mounting plate to the fixture.
- Unplug the connector to remove the LED driver and mounting plate.
- Place the LED driver inside the electrical outlet box.
- Align the mounting holes on the mounting plate with the holes on the electrical outlet box.
- Securely tighten the mounting plate to the electrical outlet box with the mounting screws.

2. Connect the Electrical Wires



- Make a loop in the ground wire and wrap around the grounding screw on the mounting plate. Tighten the grounding screw.
- Attach the ground wire (green), from the quick connector, to the ground wire (usually bare copper or green) from the electrical outlet box.
- Fasten the ground wires together with the provided wire nut.
- Attach the neutral wire (white), from the quick connector, to the neutral wire (usually white) in the electrical outlet box.
- Fasten the neutral wires together with the provided wire nut.
- Attach the hot wire (black), from the quick connector, to the hot wire (usually black) in the electrical outlet box.
- Fasten the hot wires together with the provided wire nut.
- Wrap the wire nuts with electrical tape.
- Verify that all plastic wire nuts are securely fastened and strands of bare wire are not exposed.

3. Install the Fixture



NOTE: Your product may appear different than the one illustrated. The installation procedure is the same.

- Carefully position the wires inside the electrical outlet box behind the mounting plate.
- Connect the quick connector to the fixture.
- Loosen the leveling screw and rotate the mounting plate with the tabs so that the mounting plate is vertical. Tighten the leveling screw.
- Position the fixture over the mounting plate and align the screw holes.
- Secure the fixture to the mounting plate with the provided screws.
- To level the fixture, remove the fixture and rotate the mounting plate as needed.

Compliance

This device complies with Part 15 of the FCC Rules. Operation is subject to the following two conditions: (1) this device may not cause harmful interference, and (2) this device must accept any interference received, including interference that may cause undesired operation.

Changes or modifications not expressly approved by the party responsible for compliance could void the user's authority to operate the equipment.

This equipment has been tested and found to comply with the limits for a Class B digital device, pursuant to Part 15 of the FCC Rules. These limits are designed to provide reasonable protection against harmful interference in a residential installation. This equipment generates, uses, and can radiate radio frequency energy and, if not installed and used in accordance with the instructions, may cause harmful interference to radio communications. However, there is no guarantee that interference will not occur in a particular installation. If this equipment does cause harmful interference to radio or television reception, which can be determined by turning the equipment off and on, the user is encouraged to try to correct the interference by one of the following measures:

- Reorient or relocate the receiving antenna.
- Increase the separation between the equipment and receiver.
- Connect the equipment into an outlet on a circuit different from that to which the receiver is connected.
- Consult the dealer or an experienced radio/TV technician for help.

This Class B digital apparatus complies with Canadian ICES-003.