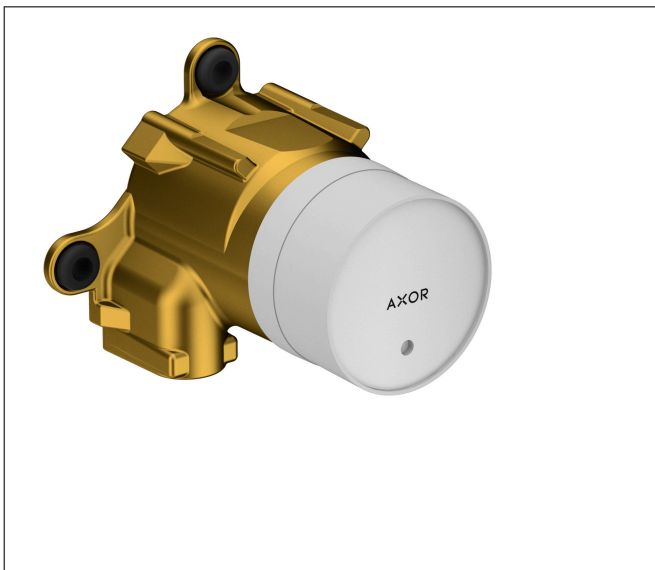


Brand	AXOR
Art. Name	Rough, Wall-Mounted Single-Handle Faucet
Art. Nr.	13625181
Surface	n.a.
Pos.	1

Product Picture



Features

- Sound-decoupled installation

Drawing

