

M A G I C C H E F[®]

Laundry Stacking Kit



User Guide



Please read this manual carefully before using the dryer and keep it for future reference.

www.magicchef.com MODEL # MCLRW

B



x1

C



x12

D



x2

E

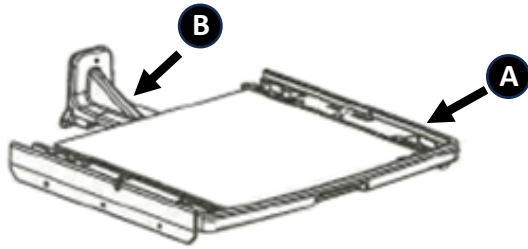


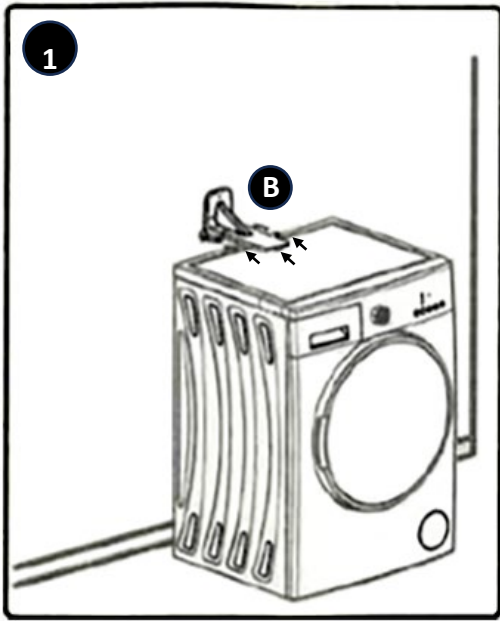
x3

F



x3

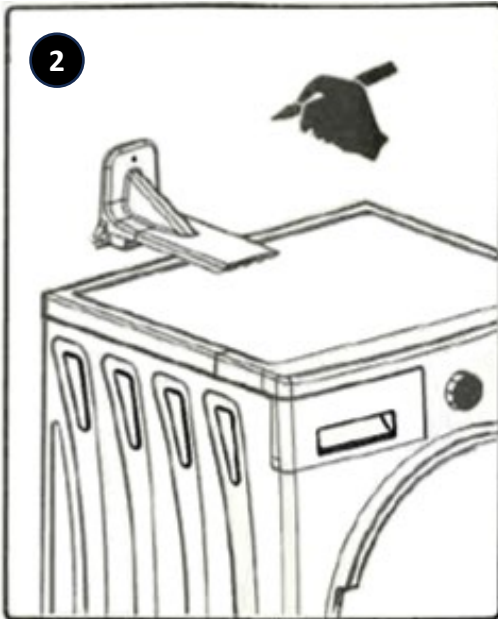




Step 1: Position the washer against the wall where it be installed. Place the wall bracket on top of the washer and slide back until the flat rear of the bracket is flush to the wall.

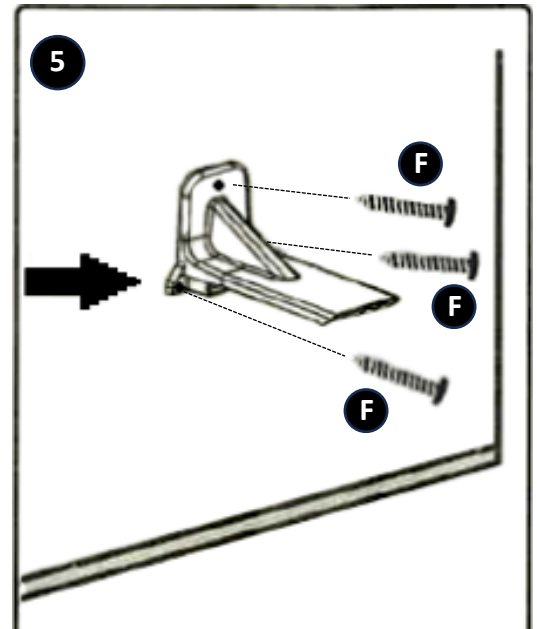
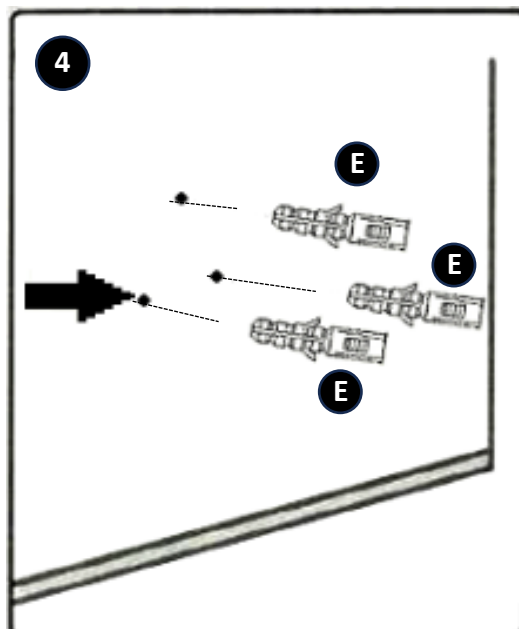
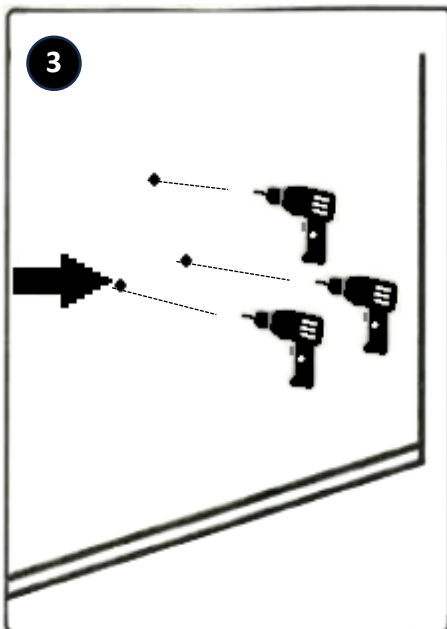
If the wall is ceramic or smooth tile, peel the backing off the rear of the bracket and firmly stick to wall, then skip to Step 6.

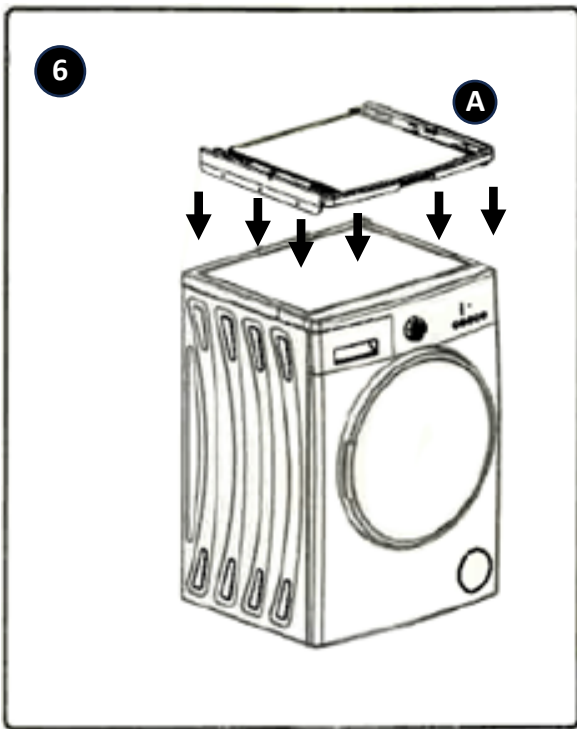
If the wall is brick, drywall, etc., proceed to Step 2.



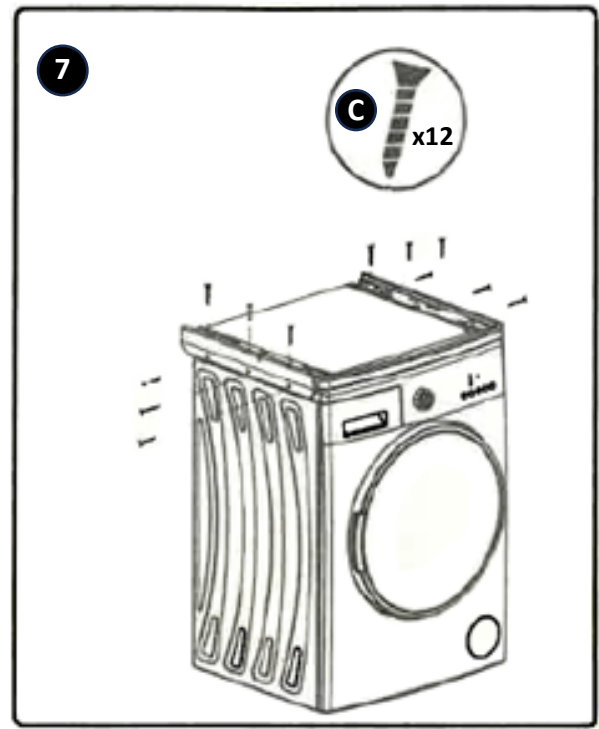
Step 2: Mark the position of the holes in the bracket on the wall with a pencil.

Step 3-4-5: Carefully drill holes at the marked positions for wall anchors, and insert the anchors. Securely attach the wall bracket to the wall using screws in the wall anchors.

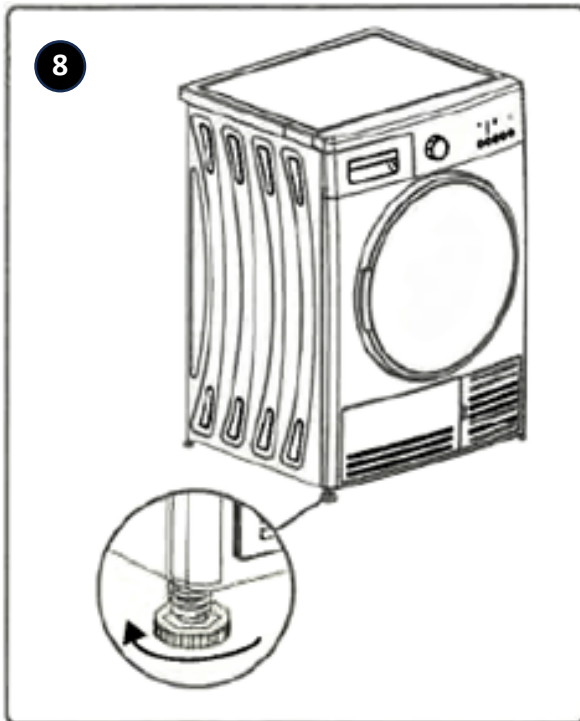




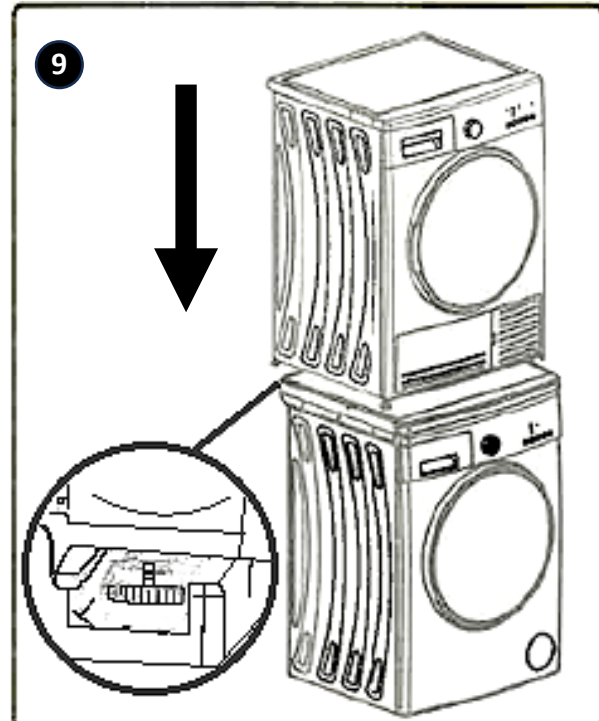
Step 6: Place the stacking bracket on top of the washing machine.



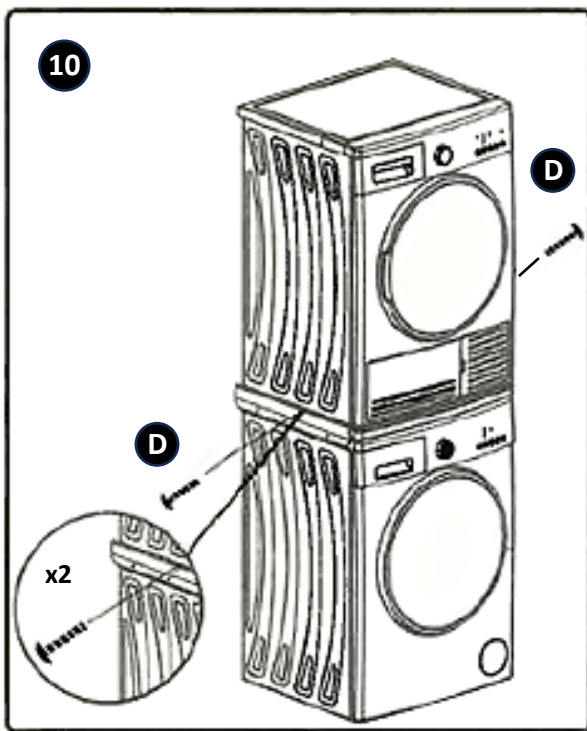
Step 7: Use the twelve (12) screws to secure the bracket to the top of the washing machine.



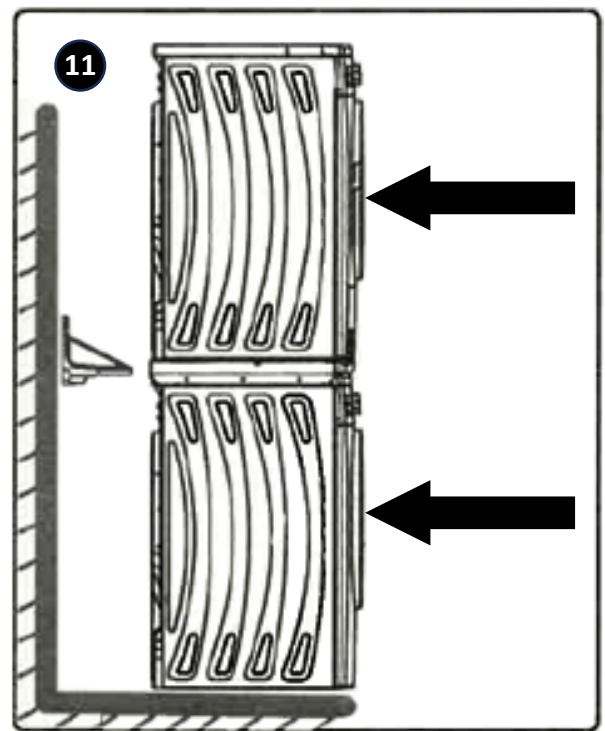
Step 8: Turn the leveling feet on the dryer all the way in to the lowest setting.



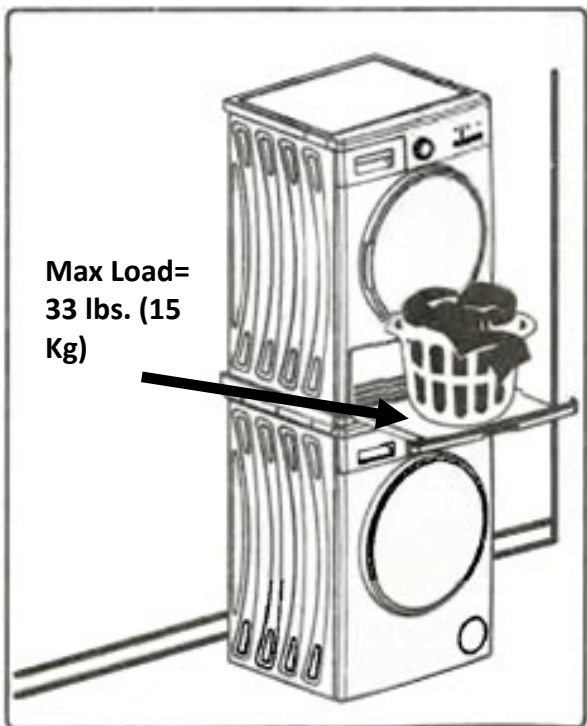
Step 9: With help, carefully lift the dryer on top of the stacking bracket. Slide the leveling legs into the support grooves in the bracket. Make sure the dryer is square with the washing machine



Step 10: Use 2 screws to secure the dryer to the stacking bracket.



Step 11: With assistance, slide the stacked washer and dryer back against the wall, allowing the wall bracket to hold the assembly in place.



Pull the slide out shelf to use. Do not exceed 33 lbs. (15kg) on the shelf.



DO NOT allow children to play with or climb on the pull out shelf or any part of the washer or dryer.

WARRANTY

LIMITED WARRANTY

MC Appliance Corporation warrants each new Stacking Kit to be free from defects in material and workmanship and agrees to remedy any such defect or to furnish a new part(s) (at the company's option) for any part(s) of the unit that has failed during the warranty period. Parts and labor expenses are covered on this unit for a period of one year after the date of purchase. A copy of the dated sales receipt/invoice is required to receive warranty service, replacement or refund.

This warranty covers appliances in use within the continental United States, Hawaii, and Puerto Rico. The warranty does not cover the following:

- Damages due to shipping damage or improper installation
- Damages due to misuse or abuse
- Repairs performed by unauthorized service agents
- Service calls that do not involve defects in material and workmanship such as instruction on proper use of the product or improper installation
- Replacement or resetting of house fuses or circuit breakers
- Failure of this product if used for purposes other than its intended purpose
- Disposal costs of failed units not returned to our factory
- Any delivery or installation costs incurred as the result of a unit that fails to perform as specified
- Expenses for travel and transportation for product service if your appliance is located in a remote area where service by an authorized service technician is not available
- The removal and reinstallation of your appliance if it is installed in an inaccessible location or is not installed in accordance with published installation instructions
- Refunds for non-repairable products are limited to the price paid for the unit per the sales receipt

LIMITATIONS OF REMEDIES AND EXCLUSIONS

Product repair in accordance with the terms herein, is your sole and exclusive remedy under this limited warranty. Any and all implied warranties including merchantability and fitness for a particular purpose are hereby limited to one year or the shortest period allowed by law. MC Appliance Corporation is not liable for incidental or consequential damages and no representative or person is authorized to assume for us any other liability in connection with the sale of this product. Under no circumstances is the consumer permitted to return this unit to the factory without the prior written consent of MC Appliance Corporation.

Some states prohibit the exclusion or limitation of incidental or consequential damages, or limitations on implied warranties. This warranty gives you specific rights, and you may also have other rights which vary from state to state.

Model	Parts	Labor	Type of Service
MCSLRW	One Year	One Year	Carry In

For Service or Assistance, please call 888-775-0202. Or visit us on the web at www.mcappliance.com to request warranty service or order parts.