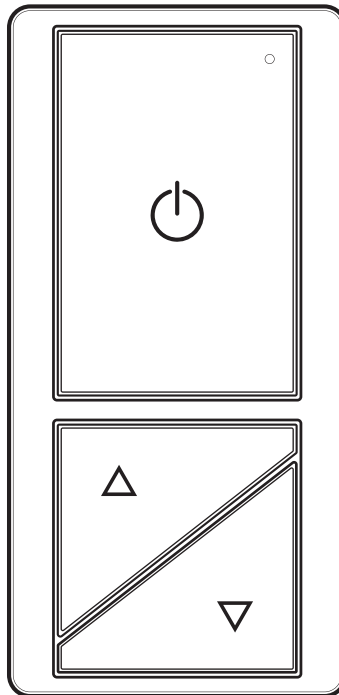


DIMMER SWITCH REMOTE

IMPORTANT SAFETY INSTRUCTIONS AND INSTALLATION GUIDE



READ BEFORE INSTALLATION
SAVE THESE INSTRUCTIONS



Table of Contents

Safety Information	2
FCC Statement	2
Warranty	2
Pre-Assembly	3
Junction Box and Wall Adhesive Installations	4
Wall Screw Installation	5
Operating Instructions	5
Mounting Template	6

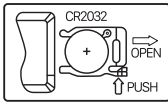
Safety Information

IMPORTANT SAFEGUARDS:

Always follow basic safety precautions when using electrical products, especially when children are present.

CAUTION:

Dispose of used battery promptly according to local recycling or waste regulations. Clean battery contacts and also device contacts prior to installing battery. Ensure the battery is installed correctly with regard to polarity (+ and -). Remove battery from remote when not being used for an extended period of time. Remove used battery promptly. The LEDs in this strip light are not replaceable.



USES 1 3V, TYPE
CR2032 BATTERY

- **WARNING - KEEP BATTERIES OUT OF THE REACH OF CHILDREN.**
- Remove immediately recycle or dispose of used batteries according to local regulations and keep away from children. Do NOT dispose of batteries in household trash or incinerate.
- Even used batteries may cause severe injury or death.
- Call a local poison control center for treatment information if needed.
- Always purchase the correct size and type of battery most suitable for the intended use.
- Non-Rechargeable batteries are not to be recharged.
- Do not force discharge, recharge, disassemble, heat above 45°C/113°F or incinerate. Doing so may result in injury due to venting, leakage or explosion resulting in chemical burns.
- Ensure the batteries are installed correctly with regard to polarity (+ and -).
- Do not mix old and new batteries, different brands or types of batteries, such as alkaline, carbon-zinc, or rechargeable batteries.
- Remove and immediately recycle or dispose of batteries from equipment not used for an extended period of time according to local regulations.
- Always completely secure battery compartment. If battery compartment does not close securely, stop using the product, remove the batteries, and keep them away from children.

FCC STATEMENT

Supplier's Declaration of Conformity:
47 CFR § 2.1077 Compliance Information
Responsible Party: Feit Electric Company
4901 Gregg Road, Pico Rivera, CA 90660, USA
www.feit.com
Unique Identifier: DIM/COMPANION

This device complies with part 15 of the FCC Rules. Operation is subject to the following two conditions: (1) This device may not cause harmful interference, and (2) this device must accept any interference received, including interference that may cause undesired operation. Note: This equipment has been tested and found to comply with the limits for a Class B digital device, pursuant to part 15 of the FCC Rules. These limits are designed to provide reasonable protection against harmful interference in a residential installation. This equipment generates, uses and can radiate radio frequency energy and, if not installed and used in accordance with the instructions, may cause harmful interference to radio communications. However, there is no guarantee that interference will not occur in a particular installation. If this equipment does cause harmful interference to radio or television reception, which can be determined by turning the equipment off and on, the user is encouraged to try to correct the interference by one or more of the following measures: Reorient or relocate the receiving antenna. Increase the separation between the equipment and receiver. Connect the equipment into an outlet on a circuit different from that to which the receiver is connected. Consult the dealer or an experienced radio/TV technician for help. Any changes or modifications not expressly approved by the manufacturer could void the user's authority to operate the equipment. CAN ICES-003 (B).

Limited Warranty

This product is warranted to be free from defects in workmanship and materials for up to 1 year from date of purchase. If the product fails within the warranty period, please contact Feit Electric at info@feit.com, visit feit.com/contact-us for instructions on replacement or refund. REPLACEMENT OR REFUND IS YOUR SOLE REMEDY. EXCEPT TO THE EXTENT PROHIBITED BY APPLICABLE LAW, ANY IMPLIED WARRANTIES ARE LIMITED IN DURATION TO THE DURATION OF THIS WARRANTY. LIABILITY FOR INCIDENTAL OR CONSEQUENTIAL DAMAGES IS HEREBY EXPRESSLY EXCLUDED. Some states and provinces do not allow the exclusion of incidental or consequential damages, so the above limitation or exclusion may not apply to you. This warranty gives you specific legal rights, and you may also have other rights which vary from state to state or province to province.



CAUTION: Do not install this product in a wet location.



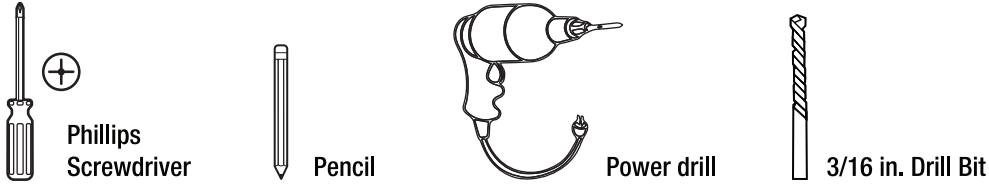
CAUTION: Do not install this product in an outdoor location.

⚠ WARNING

- **INGESTION HAZARD:** This product contains a button cell or coin battery.
- **DEATH** or serious injury can occur if ingested.
- A swallowed button cell or coin battery can cause **Internal Chemical Burns** in as little as **2 hours**.
- **KEEP** new and used batteries **OUT OF REACH of CHILDREN**
- **Seek immediate medical attention** if a battery is suspected to be swallowed or inserted inside any part of the body.



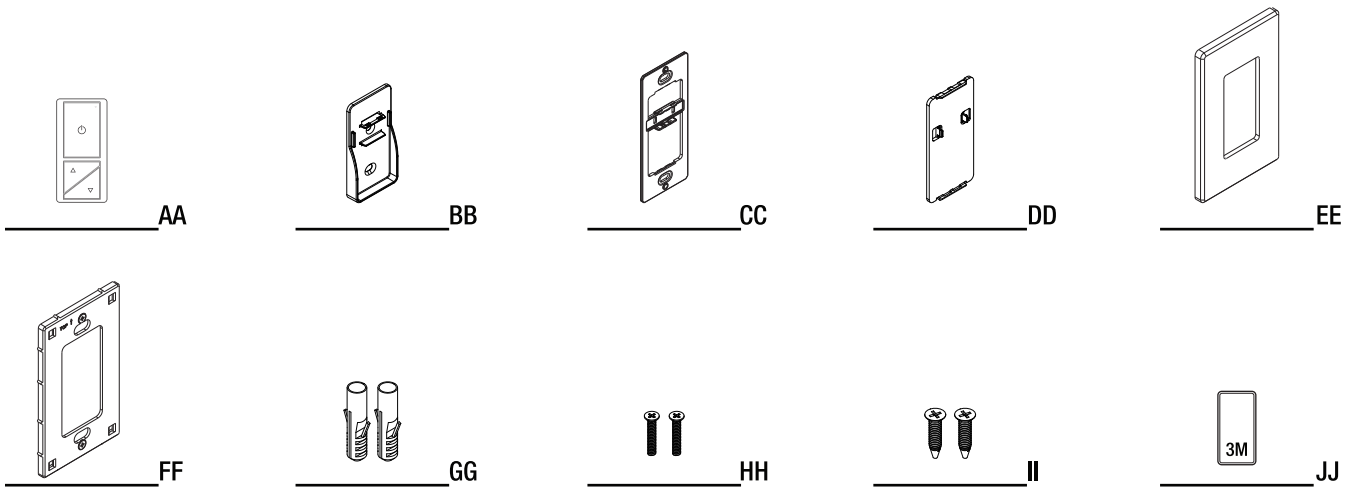
TOOLS REQUIRED (NOT INCLUDED)



HARDWARE INCLUDED



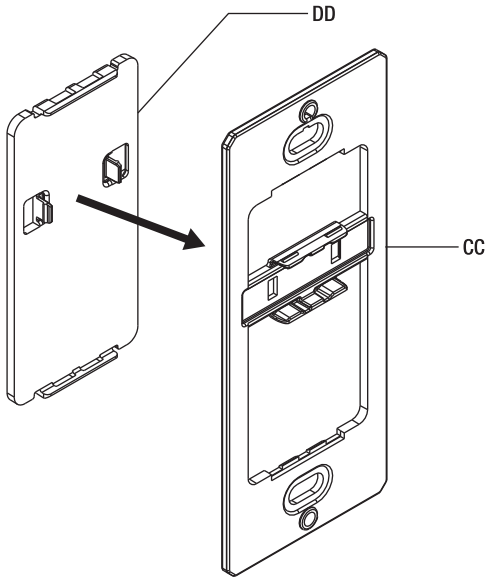
NOTE: Hardware not shown to actual size.



Part	Description	Quantity
AA	Wireless Dimmer Remote	1
BB	Wall Bracket	1
CC	Junction Box Bracket	1
DD	Junction Box Auxiliary Bracket	1
EE	Wall plate	1
FF	Mounting Frame	1
GG	Expansion bolt	1
HH	Junction Box Screws	2
II	Wall Screws	2
JJ	3M Tape	1

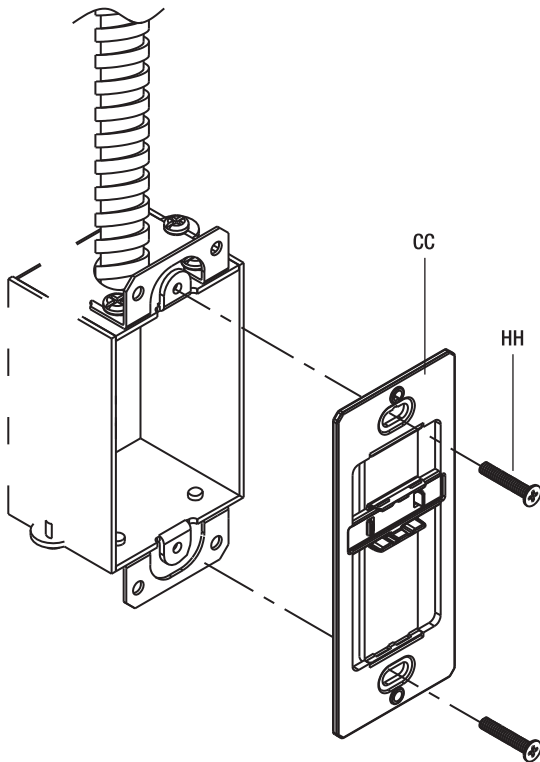
1 Install the Junction Box Bracket

Carefully put together the Junction Box Auxillary Bracket (DD) and the Junction Box Bracket (CC).



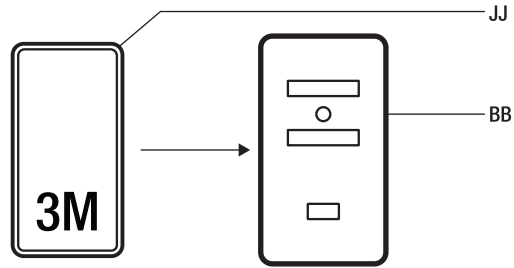
2 Install into Junction Box

Secure the junction box bracket (CC) using the Junction box screws (HH) provided.



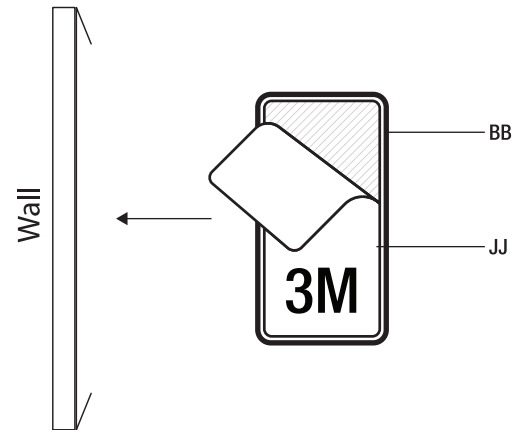
1 Install 3M Tape on Wall Bracket

Remove one side of the adhesive backing paper on the 3M Tape (EE) and place in the indents on the back of the Wall Bracket (BB).



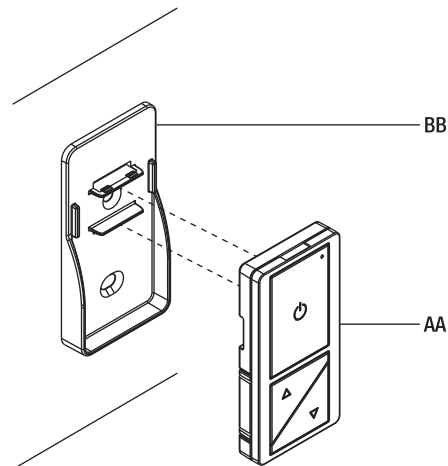
2 Install the Wall Bracket

Peel off the adhesive backing paper on the 3M Tape (EE) and place on wall on desired location.



3 Attach the remote to the Wall Bracket

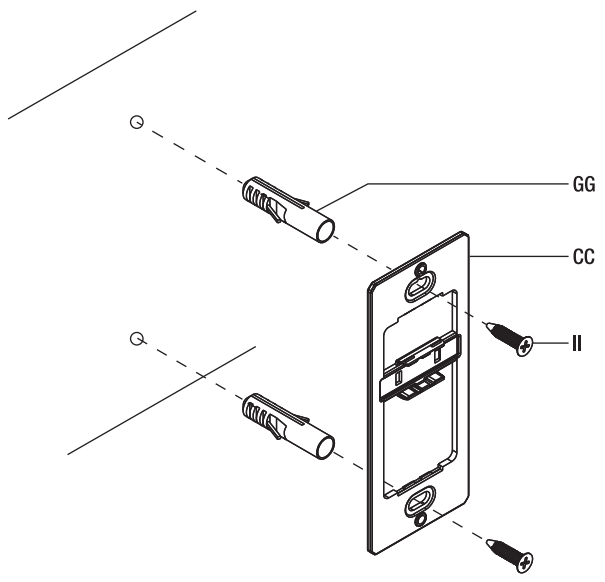
Attach the Wireless Dimmer Remote (AA) to the Wall Bracket (BB).



Wall Screw Installation

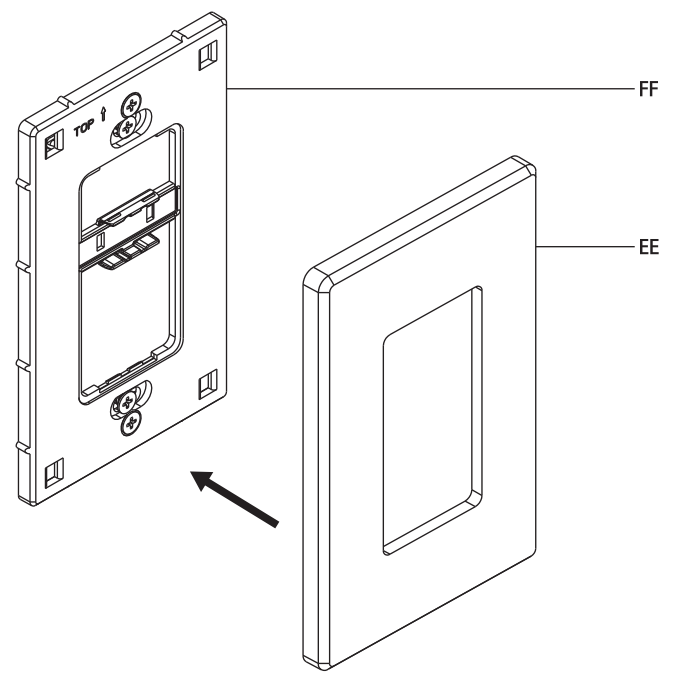
1 Install into Wall

Drill two 3/16 in holes on the wall, drive the Expansion Bolts (GG), secure the junction box bracket with the Wall Screws (II).



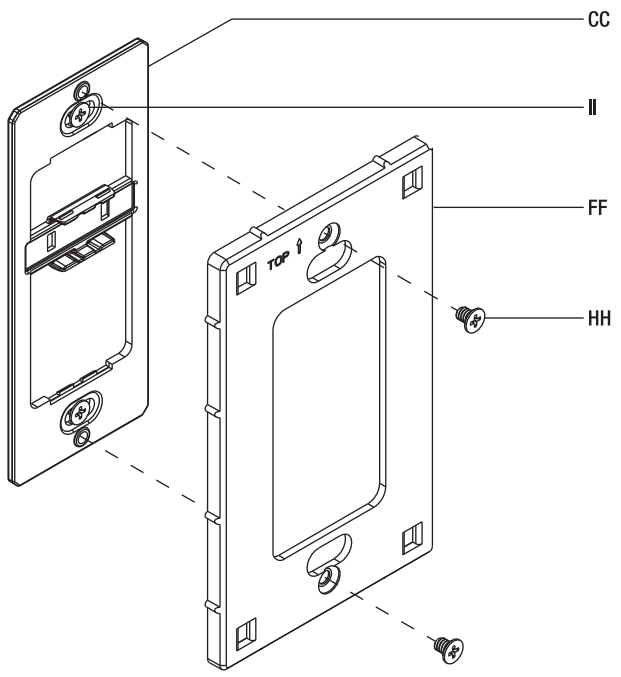
3 Installing the Wall Plate

Put the Wall Plate (EE) on the Mounting Frame (FF), press gently to make sure it is installed firmly.



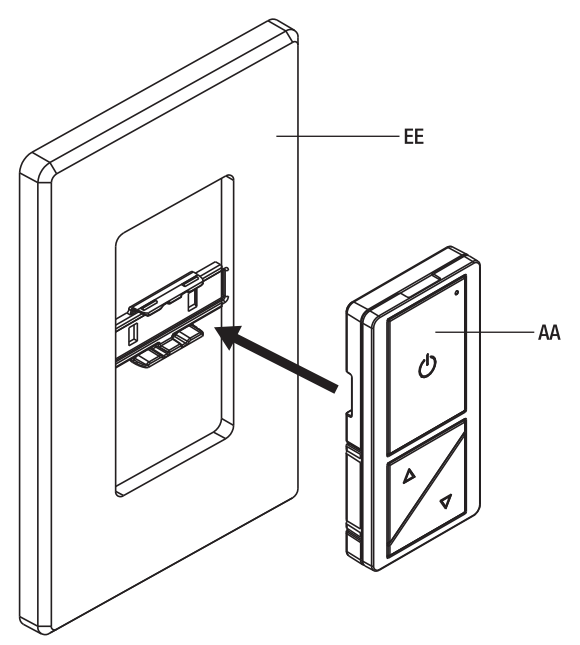
2 Installing the Mounting Frame

Install the mounting Frame (FF) on the Junction box bracket (CC) and tighten with the Pre-installed screws (HH).



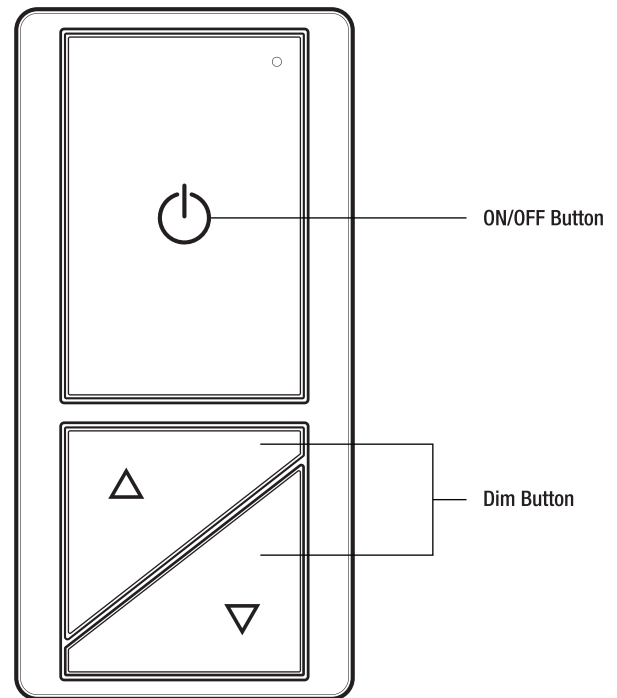
4 Installing the Wall Plate

Press the wireless dimmer remote (AA) onto the Junction box bracket (CC). Make sure it is installed firmly.



Pair or Unpair Remote

- To pair the remote with the dimmer, remove the battery pull tab from the remote. Press the dimmer's power button 7 times. The lights will blink for 15 seconds, indicating it is in pairing mode. During this time, press any button on the remote to complete the pairing process. You have 15 seconds to pair each remote. You can pair up to 3 remotes with one dimmer by repeating these steps. You can pair up to 3 remotes with one dimmer by repeating these steps.
- To unpair a remote, press the dimmer's power button 7 times. The lights will blink for 15 seconds, indicating it is in unpairing mode. During this time, press any button on the remote you want to unpair.



Changing the Dimming Levels

- To select the desired dimming level, Cycle through Dimming levels Dim Button arrow up or down. This setting will be fixed each time the ON/OFF switch is turned ON.

Battery Replacement

- Hold the buckle on both ends of the battery holder and pull it out to remove the battery holder.
- Remove the old battery from the battery holder, change new battery (CR2032). Reinstall the battery holder on the remote control.

